

2213848-1 ✓ ACTIVE

LUMAWISE | LUMAWISE Endurance N

TE Internal #: 2213848-1

TE Internal Description: ASSY,PHOTOCONTROL POWER

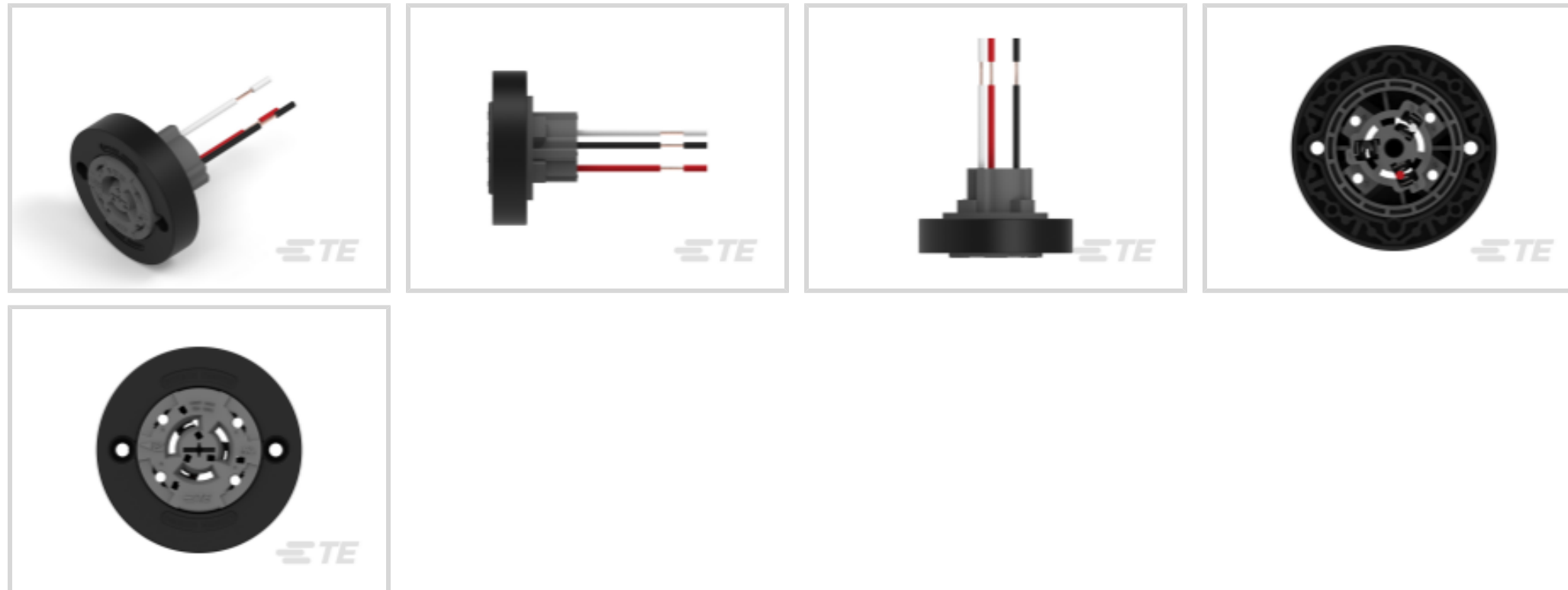
RECEPTACLE,150C

Receptacle Assembly

[View on TE.com >](#)



Connectors > Lighting Connectors > Solid State Lighting > NEMA/ANSI Street Light Receptacles > Receptacle Assembly



Lighting Product Type: **Connector**

Agency & Standard: **ANSI**

Rotatable: **Yes**

Connector System: **Wire-to-Component**

Number of Positions: **3**

[All Receptacle Assembly \(4\)](#)

Features

Product Type Features

Lighting Product Type	Connector
Connector System	Wire-to-Component
Sealable	Yes

Configuration Features

Rotatable	Yes
Number of Positions	3

Electrical Characteristics

Operating Voltage	600 VAC
-------------------	---------

Contact Features

Contact Mating Area Plating Material	Gold
Contact Current Rating (Max)	15 A

Housing Features

Housing Color	Black
---------------	-------

Dimensions

Wire Size	14 AWG
-----------	--------

Usage Conditions

Operating Temperature Range	-40 – 85 °C, -40 – 85 °C[-40 – 185 °F][-40 – 185 °F]
-----------------------------	--

Operation/Application

Circuit Application	Power
---------------------	-------

Industry Standards

Agency & Standard	ANSI
-------------------	------

Product Compliance

[For compliance documentation, visit the product page on TE.com>](#)


EU RoHS Directive 2011/65/EU	Not Yet Reviewed
EU ELV Directive 2000/53/EC	Compliant
China RoHS 2 Directive MIIT Order No 32, 2016	No Restricted Materials Above Threshold
EU REACH Regulation (EC) No. 1907/2006	Current ECHA Candidate List: JAN 2020 (205) Candidate List Declared Against: JUN 2016 (169) Does not contain REACH SVHC
EU REACH Regulation (EC) No. 1907/2006	Current ECHA Candidate List: JAN 2020 (205) Candidate List Declared Against: JUN 2016 (169)
Halogen Content	Not Low Halogen - contains Br or Cl > 900 ppm.
Solder Process Capability	Not reviewed for solder process capability

Product Compliance Disclaimer

This information is provided based on reasonable inquiry of our suppliers and represents our current actual knowledge based on the information they provided. This information is subject to change. The part numbers that TE has identified as EU RoHS compliant have a maximum concentration of 0.1% by weight in homogenous materials for lead, hexavalent chromium, mercury, PBB, PBDE, DBP, BBP, DEHP, DIBP, and 0.01% for cadmium, or qualify for an exemption to these limits as defined in the Annexes of Directive 2011/65/EU (RoHS2). Finished electrical and electronic equipment products will be CE marked as required by Directive 2011/65/EU. Components may not be CE marked. Additionally, the part numbers that TE has identified as EU ELV compliant have a maximum concentration of 0.1% by weight in homogenous materials for lead, hexavalent chromium, and mercury, and 0.01% for cadmium, or qualify for an exemption to these limits as defined in the Annexes of Directive 2000/53/EC (ELV). Regarding the REACH Regulations, TE's information on SVHC in articles for this part number is still based on the European Chemical Agency (ECHA) 'Guidance on requirements for substances in articles' (Version: 2, April 2011), applying the 0.1% weight on weight concentration threshold at the finished product level. TE is aware of the European Court of Justice ruling of September 10th, 2015 also known as O5A (Once An

Article Always An Article) stating that, in case of 'complex object', the threshold for a SVHC must be applied to both the product as a whole and simultaneously to each of the articles forming part of its composition. TE has evaluated this ruling based on the new ECHA "Guidance on requirements for substances in articles" (June 2017, version 4.0) and will be updating its statements accordingly.

Compatible Parts



TE Model / Part # 2328118-3
LUMAWISE ENDURANCE N OPEN CAP ASSEMBLY



TE Model / Part # 2328118-2
LUMAWISE ENDURANCE N SHORTING CAP W/SUR



TE Model / Part # 2328118-1
LUMAWISE ENDURANCE N SHORTING CAP



TE Model / Part # 2213626-1
GASKET, SEALING ROT DIM RECEPT

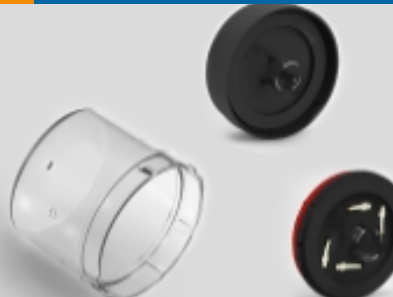


TE Model / Part # CAT-ST833-L97
Receptacle Assembly


Also in the Series | LUMAWISE Endurance N



NEMA Base AC/DC Power Management(6)



NEMA/ANSI Street Light Controls(34)



NEMA/ANSI Street Light Receptacles (26)

Customers Also Bought



TE Model / Part #61116-2
CMNL PIN 24-18 BR



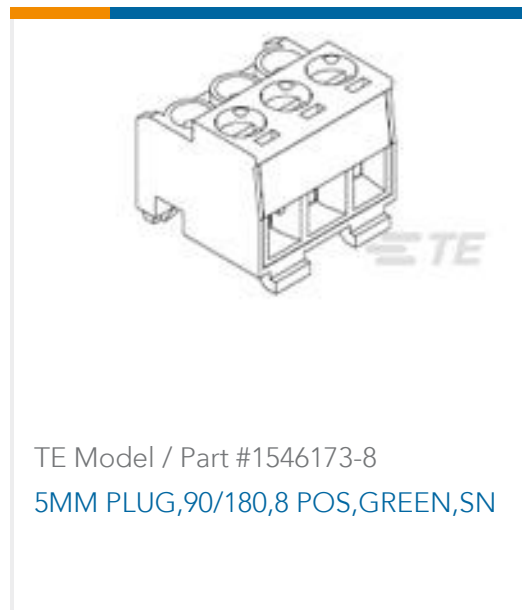
TE Model / Part #5-1633730-0
CRIMPER, WIRE F.120F



TE Model / Part #1-456411-4
CRIMPER, WIRE .140"



TE Model / Part #2213617-1
HERM BLADE & RCPT ,LATCH, POST, SEL GOLD



TE Model / Part #1546173-8
5MM PLUG,90/180,8 POS,GREEN,SN



TE Model / Part #1776130-4
4P TERMI-BLOK HDR,HIGH TEMP



TE Model / Part #2029076-4
4P MICRO MNL 1R RA HDR ASY NAT



TE Model / Part #2150357-1
OCEAN_2.0_Applicator-E-070F



TE Model / Part #9-690512-8
ANVIL, COMBINATION



TE Model / Part #2-1393122-7
KHAU-17A12-12=KH

Documents

Product Drawings

[ASSY,PHOTOCONTROL POWER RECEPTACLE,150C](#)

English

Datasheets & Catalog Pages

[LUMAWISE STREET LIGHT DIMMING AND CONTROL QUICK REFERENCE GUIDE](#)

English

[LUMAWISE ENDURANCE N ANSI C136.10 STANDARD AND ROTATABLE RECEPTACLE ASSEMBLIES](#)

English

Product Specifications

[Application Specification](#)

English

Agency Approvals

[UL Report](#)

English