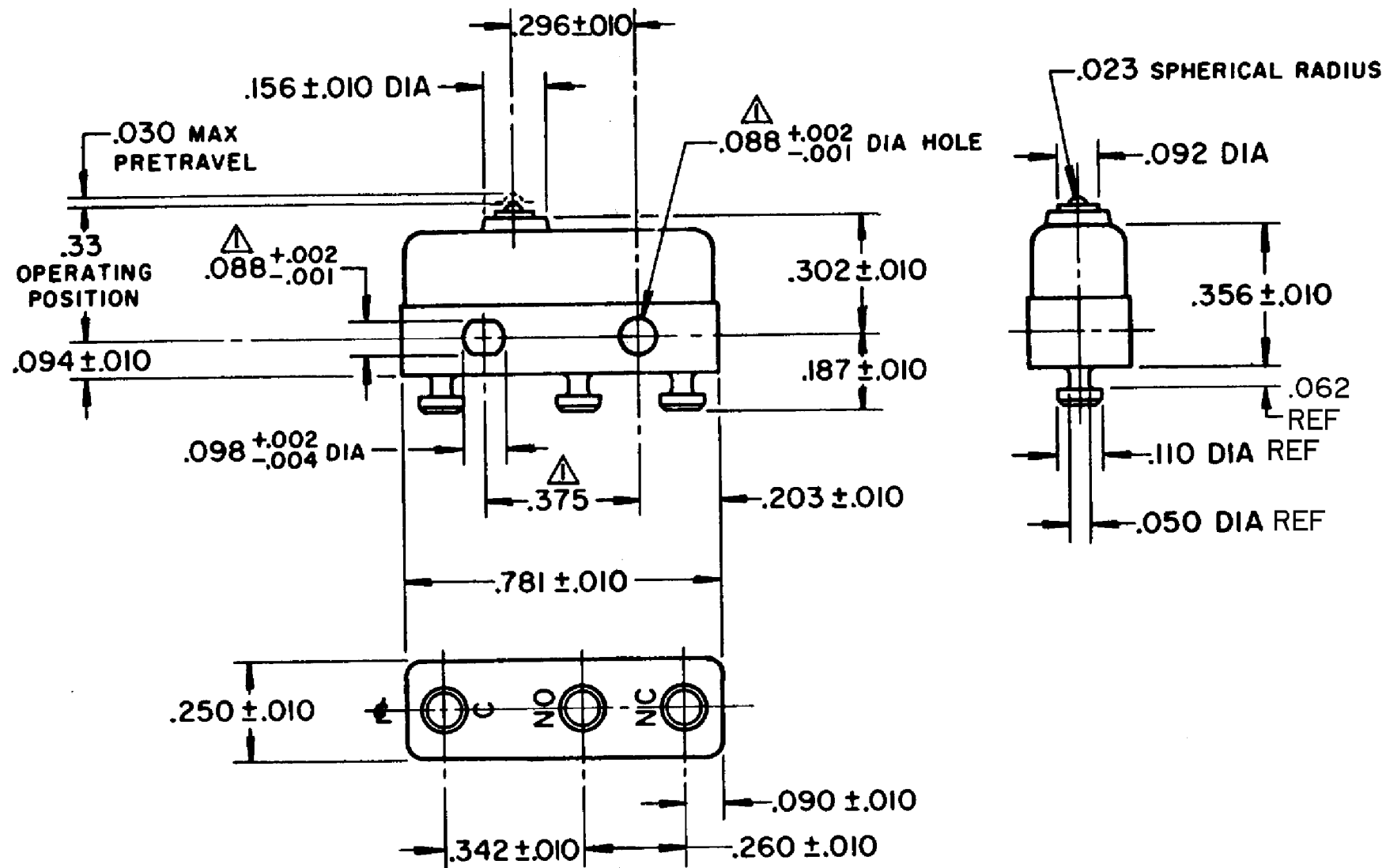
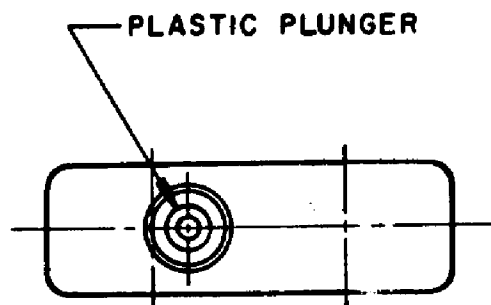


HONEYWELL PART NUMBER
21SM157-T
PRODUCT CODE
TXK5750

REV	DOCUMENT	CHANGED BY	CHECK
4	0038444	KVS 09APR08	ASD



NOTE -

- ▲-MOUNTING HOLES WILL ACCEPT PINS OR SCREWS OF .087 MAX DIA ON .375 ±.002 CENTERS
- 2-TERMINALS ARE PLATED FOR SOLDERING
- 3-SWITCH WILL WITHSTAND TEMPERATURE OF 250° F

RELEASE NO.	PR-709
REPLACES	-

CHARACTERISTICS
OPERATING FORCE - - - - 3-7 OZ
RELEASE FORCE - - - - 1 OZ MIN
DIFFERENTIAL TRAVEL - - - .004 MAX
OVERTRAVEL - - - - - .005 MIN

ELECTRICAL DATA	
CONTACT ARRANGEMENT SPDT	
30 VOLTS DC RATING	
	SEA LEVEL
INDUCTIVE	5 AMP
RESISTIVE	10 AMP

DESIGN UNITS: INCH
TOLERANCES UNLESS NOTED:
NO PLACE X ±
ONE PLACE .X ±
TWO PLACE .XX ±
THREE PLACE .XXX ±
FOUR PLACE .XXXX ±
ANGLES ±
THIRD ANGLE PROJECTION

DRAWN	VK	15 FEB 08
CHECK	RJ	15 FEB 08
THIS DRAWING COVERS A PROPRIETARY ITEM AND IS THE PROPERTY OF HONEYWELL. THIS DRAWING IS NOT TO BE COPIED OR USED WITHOUT THE PERMISSION OF HONEYWELL.		
INTERPRET PER ANSI Y14.5M-1982 OTHER HONEYWELL ENGINEERING STANDARDS MAY APPLY		
RASTER		

Honeywell			
TITLE SWITCH - BASIC			
SIZE	TYPE	DRAWING NAME	REV
B	I	21SM157-T	4
SCALE	-	WEIGHT .006 LB MAX	SHEET 1 OF 1