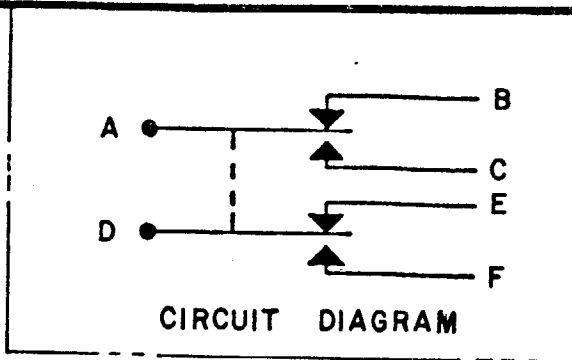


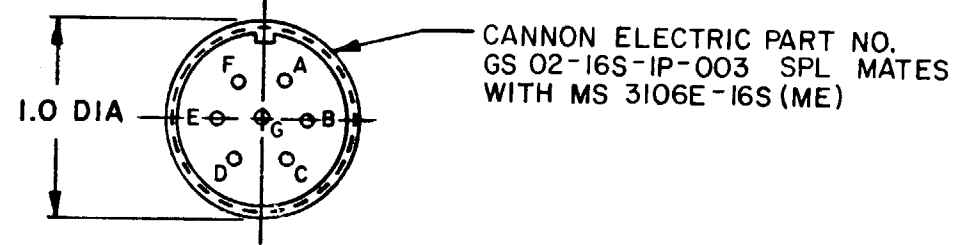
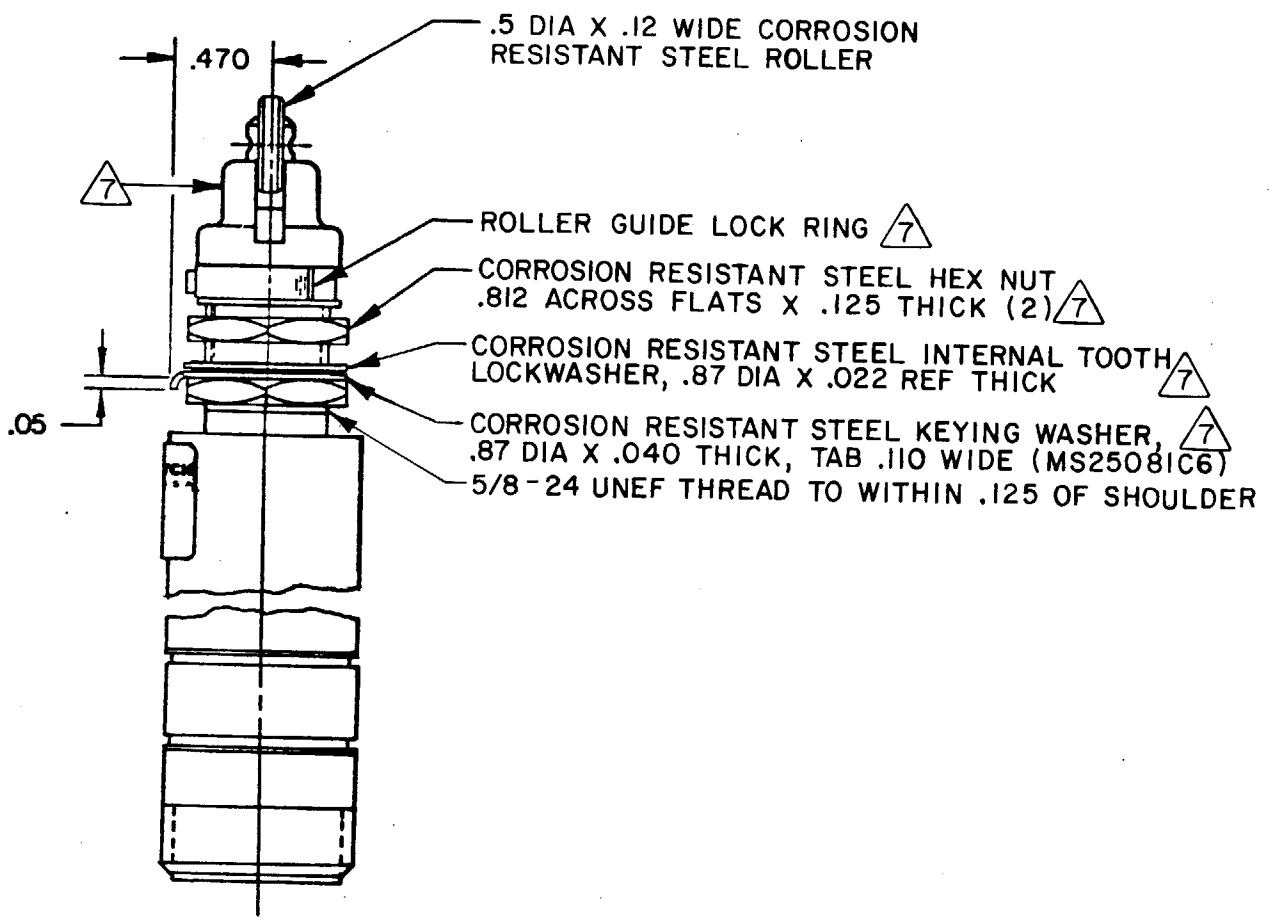
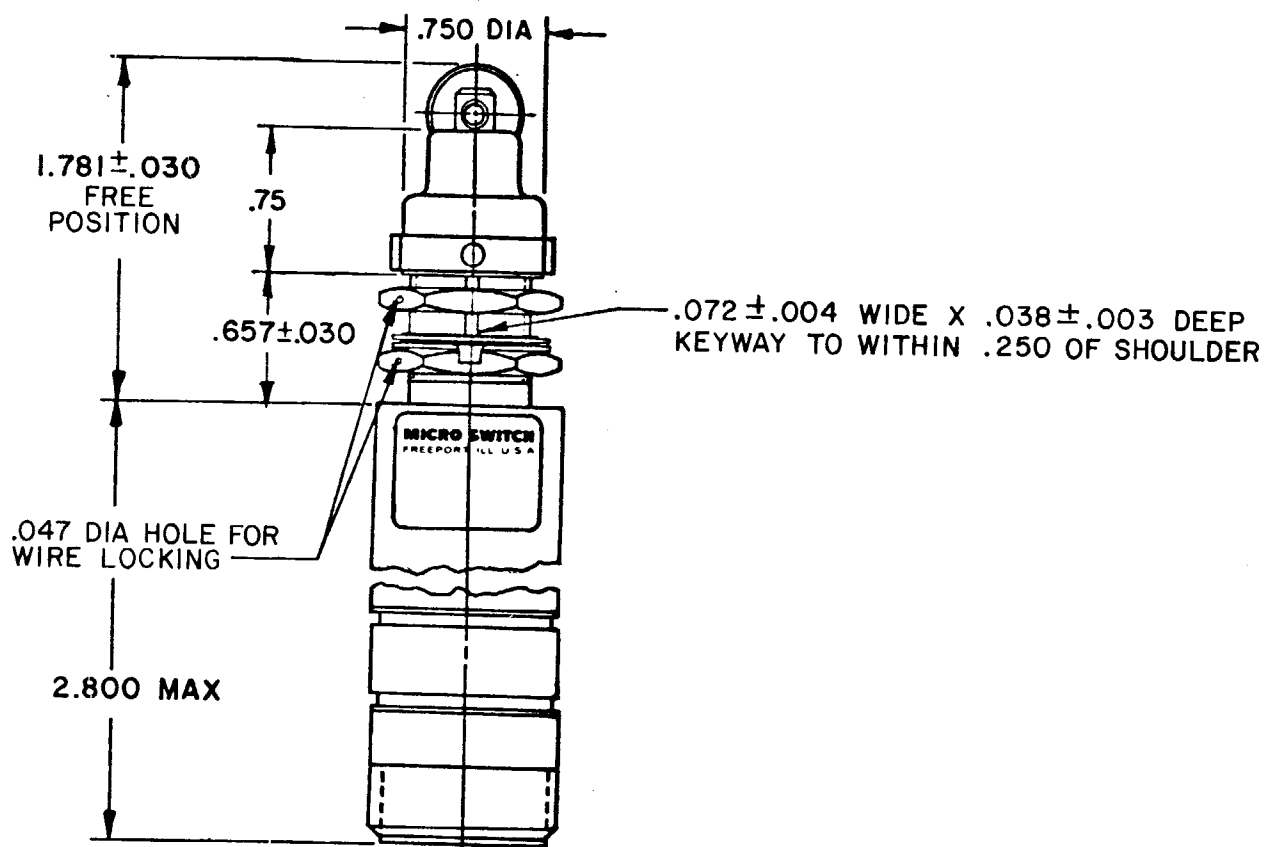
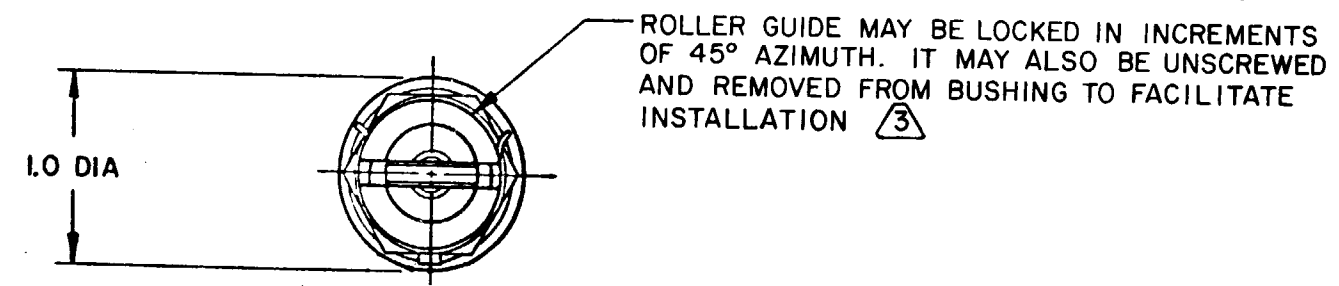
**MICRO SWITCH**  
 FREEPORT ILLINOIS, U.S.A.  
 A DIVISION OF HONEYWELL  
 FED. MFG. CODE 91929

**SWITCH - ENCLOSED**

CATALOG LISTING  
**21EN9-RB**



M 21EN9-RB  
 DRAWING NUMBER  
 ISSUE 5  
 REVISIONS  
 A CO 44351 WJM 10 SEP 79  
 B CO47573 PART 4 R J H 7 AUG 80  
 C CO49383 WJM 24 APR 81  
 CHECK  
 12 SEPT 79  
 10 SEP 79  
 WJM  
 DRAWN  
 FO-22851-A



- NOTES**
- SWITCH SEALED PER MIL-S-8805, SYMBOL 4
  - CORROSION RESISTANT STEEL ENCLOSURE
  - TO ADJUST ROLLER DIRECTION, REMOVE ROLLER GUIDE LOCKRING, SCREW ROLLER GUIDE DOWN AS FAR AS POSSIBLE, THEN UNSCREW TO DESIRED DIRECTION, SECURE BY REPLACING ROLLER GUIDE LOCKRING
  - CIRCUIT DIAGRAM AND CATALOG LISTING ARE SHOWN ON NAMEPLATE
  - COINCIDENCE OF OPERATING AND RELEASING POINTS: .010 OF PLUNGER TRAVEL
  - KEYWAY IN MOUNTING BUSHING AND RECEPTACLE POLARIZING KEY ARE NOT NECESSARILY ALIGNED
- $\triangle 7$  HARDWARE MAY BE PACKAGED UNASSEMBLED PER MIL-S-8805

THIS DRAWING COVERS A PROPRIETARY ITEM AND IS THE PROPERTY OF MICRO SWITCH, A DIVISION OF HONEYWELL. THIS DRAWING IS NOT TO BE COPIED OR USED WITHOUT THE APPROVAL OF MICRO SWITCH.		THIRD ANGLE PROJECTION		SCALE FULL	
CHARACTERISTICS		ELECTRICAL DATA		DO NOT SCALE PRINT	
OPERATING FORCE ----- 6-12 LB		CONTACT ARRANGEMENT		TOLERANCES	
FULL OVERTRAVEL FORCE ----- 30 LB MAX		S P D T (2)		APPLY TO DESIGN UNITS. CONVERSIONS ARE ONLY FOR REFERENCE. UNLESS NOTED, TOLERANCES ARE:	
RELEASE FORCE ----- 4 LB MIN		LOAD		DIM. TOL. DIM. TOL.	
PRETRAVEL ----- .040 MAX		28 VDC		NO PLACES X 1/04	
DIFFERENTIAL TRAVEL ----- .020 MAX		SEA LEVEL 50,000 FT.		ONE PLACE X.X 0.47/018 X.X 0.8/05	
OVERTRAVEL ----- .250 MIN		RES 4 4		TWO PLACES X.XX 0.167/005 X.XX 0.267/015	
		IND 2 2		THREE PLACES X.XXX 0.137/005 X.XXX 0.137/005	
		MOTOR 4		DESIGN UNITS <input type="checkbox"/> METRIC <input checked="" type="checkbox"/> US-CUSTOMARY	
				RAW MATERIAL - COMMERCIAL STANDARD	
				MICRO SWITCH STANDARDS APPLY	
				DIMENSIONS ARE TO BE MET BEFORE PROTECTIVE COATINGS ARE APPLIED	
				WEIGHT 8.0 OZ. MAX	