

MICRO SWITCH

FREERPORT ILLINOIS U.S.A.
A DIVISION OF HONEYWELL

FED MFG CODE 91929

SWITCH - ENCLOSED

CATALOG LISTING
21EN92-6

21EN92-6

M

DRAWING NUMBER

17

ISSUE

17

17

REVISIONS

A	CO44361	D J W	24 OCT 79
B	CO 47873	R J H	11 AUG 80
C	CO 51725-D	C J H	11 JAN 83
D	CO 0057370	J A P	15 MAY 85
E	CO 74101	G J W	19 JAN 93
F	778048	S A D	13 MAY 94

REPLACES

RELEASE NO. SR-9659

CHECK

CHECK

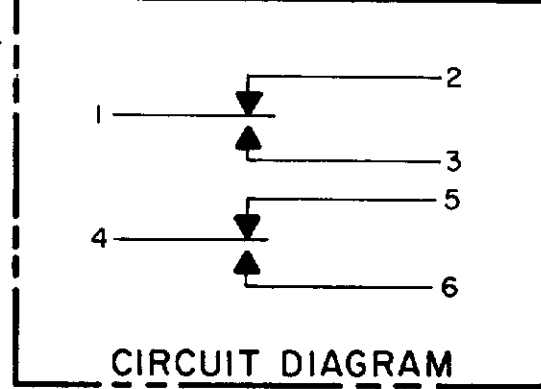
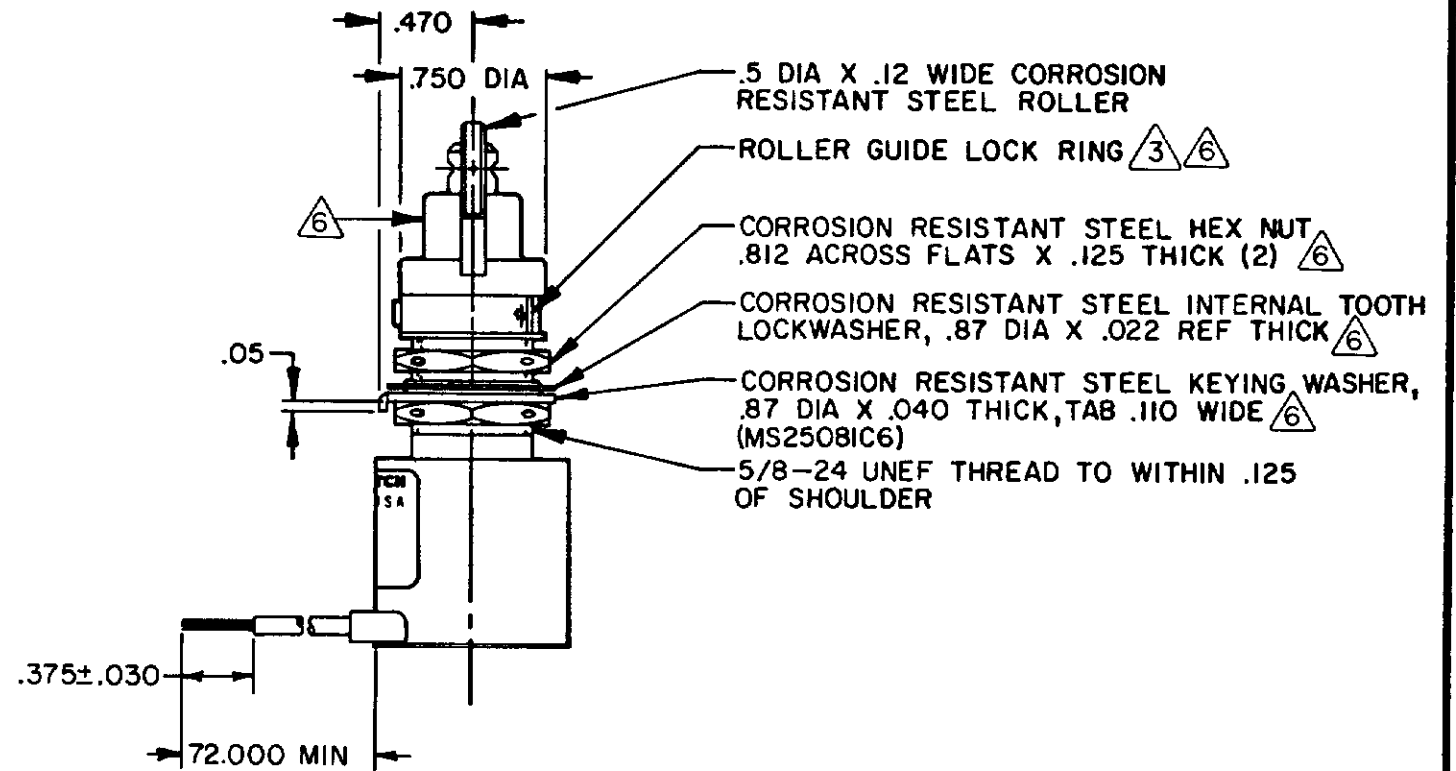
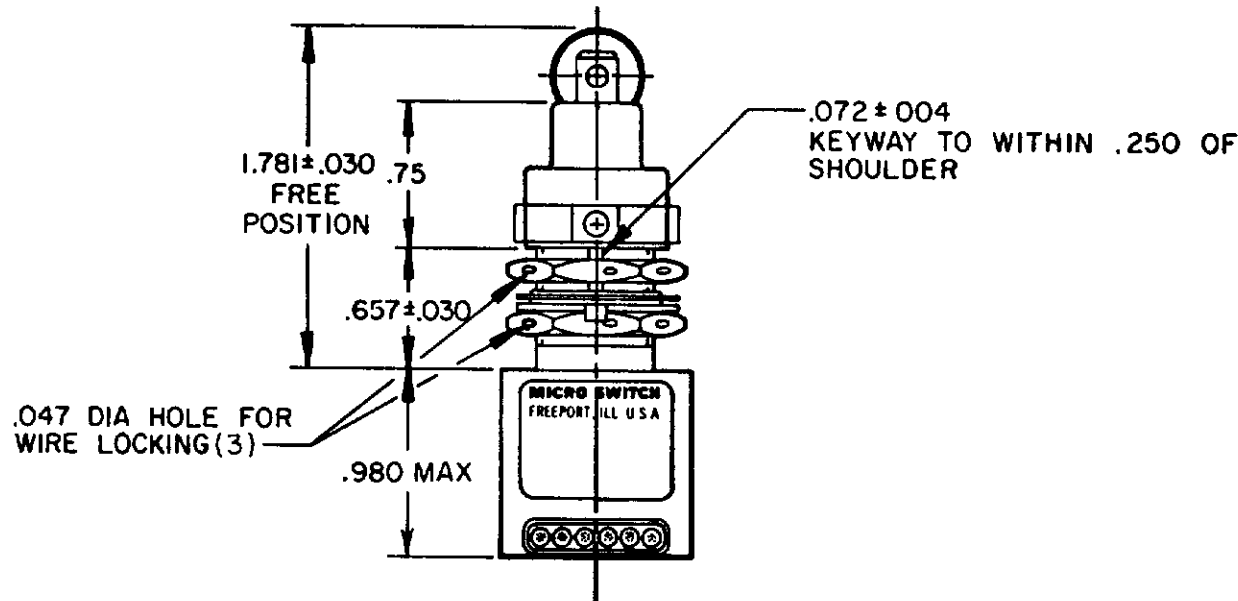
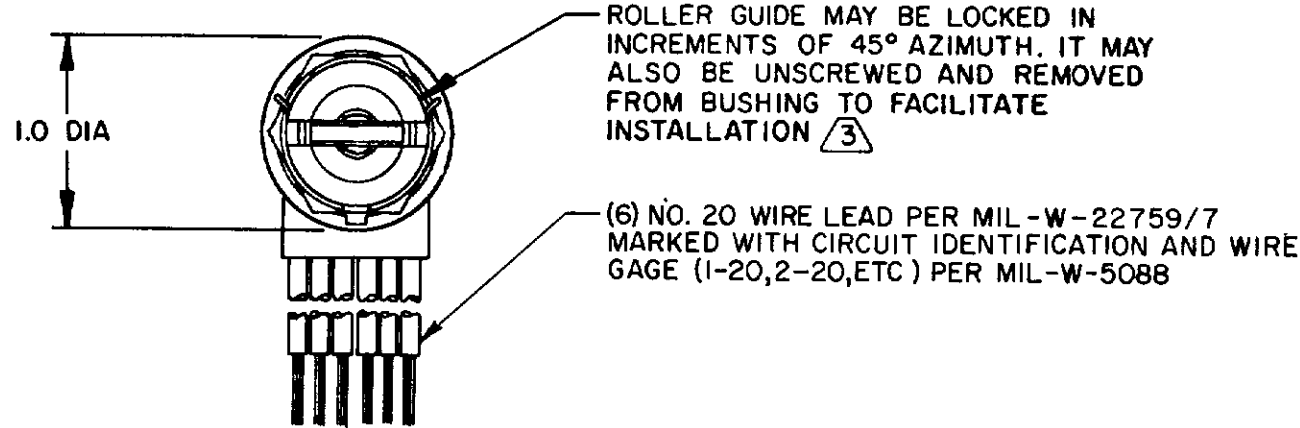
CHECK

CHECK

CHECK

CHECK

CHECK



NOTES

- 1 - CORROSION RESISTANT STEEL ENCLOSURE
- 2 - SWITCH SEALED PER MIL-S-8805, SYMBOL 4
- (3) TO ADJUST ROLLER DIRECTION, REMOVE ROLLER GUIDE LOCK RING, SCREW ROLLER GUIDE DOWN AS FAR AS POSSIBLE, THEN UNSCREW TO DESIRED DIRECTION. SECURE BY REPLACING ROLLER GUIDE LOCK RING
- 4 COINCIDENCE OF OPERATING AND RELEASING POINTS: .010 OF PLUNGER TRAVEL
- 5 - CIRCUIT DIAGRAM AND CATALOG LISTING ARE SHOWN ON NAMEPLATE
- (6) - HARDWARE MAY BE PACKAGED UNASSEMBLED PER MIL-S-8805

THIS DRAWING COVERS A PROPRIETARY ITEM AND IS THE PROPERTY OF MICRO SWITCH, A DIVISION OF HONEYWELL. THIS DRAWING IS NOT TO BE COPIED OR USED WITHOUT THE APPROVAL OF MICRO SWITCH

THIRD ANGLE PROJECTION

SCALE FULL

DO NOT SCALE PRINT

TOLERANCES

APPLY TO DESIGN UNITS CONVERSIONS ARE ONLY FOR REFERENCE UNLESS NOTED TOLERANCES ARE:

DIM	TOL	DIM	TOL
NO PLACES	±	IN	±
ONE PLACE	±	IN	±
TWO PLACES	±	IN	±
THREE PLACES	±	IN	±
ANGLES			

DESIGN UNITS

RAW MATERIAL—COMMERCIAL STANDARD

MICRO SWITCH STANDARDS APPLY

DIMENSIONS ARE TO BE MET BEFORE PROTECTIVE COATINGS ARE APPLIED

WEIGHT 8.9 OZ MAX

CHARACTERISTICS	
OPERATING FORCE	6-12 LB
FULL OVERTRAVEL FORCE	30 LB MAX
RELEASE FORCE	4 LB MIN
PRETRAVEL	0.040 MAX
DIFFERENTIAL TRAVEL	0.020 MAX
OVERTRAVEL	250 MIN

ELECTRICAL DATA		
CONTACT ARRANGEMENT		
SPDT (2)		
28 VDC		
LOAD	SEA LEVEL	50,000 FT.
RES	4	4
IND	2	2
MOTOR	4	
LAMP		

FO-5285 1-A

DRAWN

D J W

24 OCT 79

CHECK

C E B

30 OCT 79

CHECK

C E B

30 OCT 79

CHECK

C E B

30 OCT 79

CHECK

C E B

30 OCT 79

CHECK

C E B

30 OCT 79

CHECK

C E B

30 OCT 79

CHECK

C E B

30 OCT 79

CHECK

C E B

30 OCT 79

CHECK

C E B

30 OCT 79

CHECK