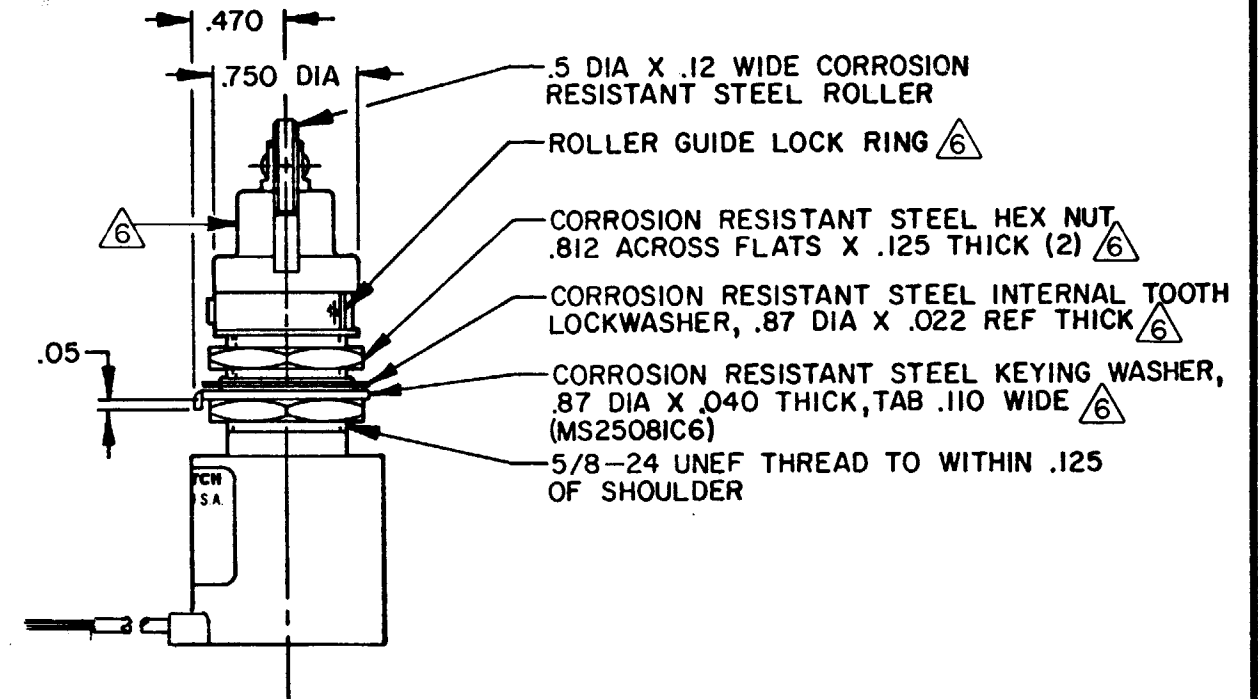
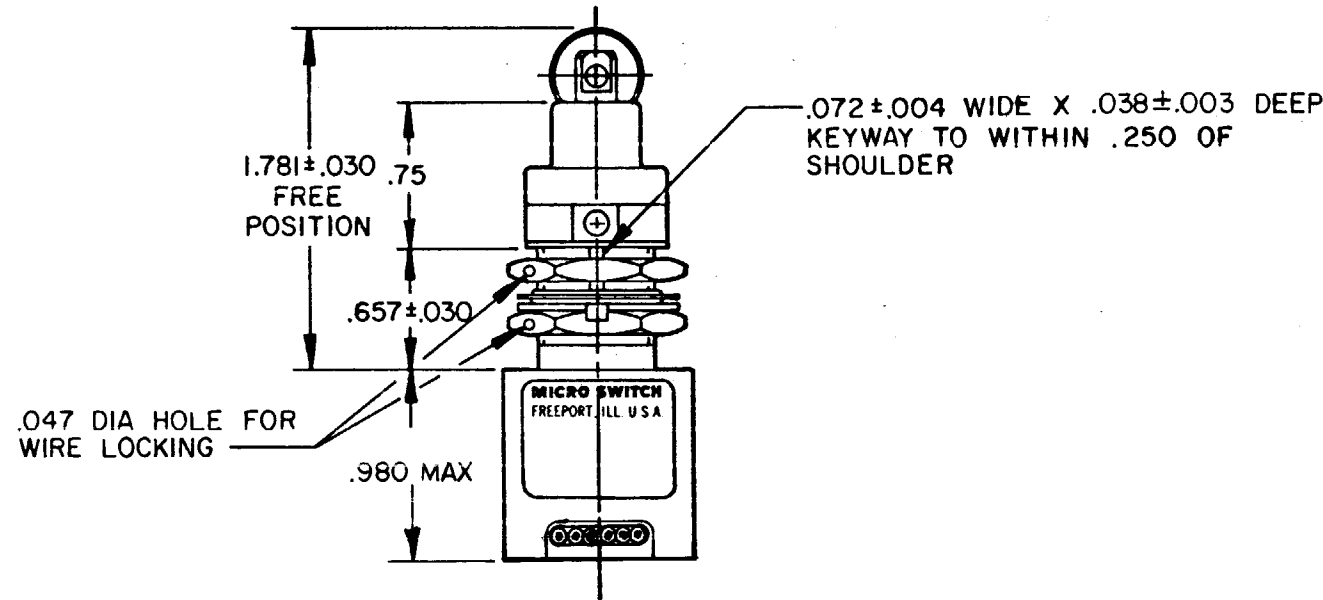
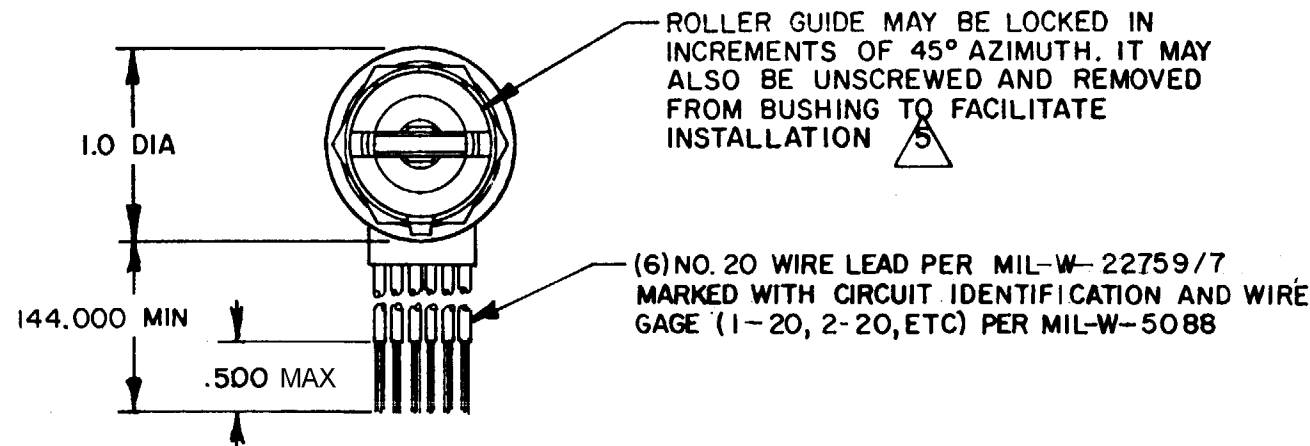
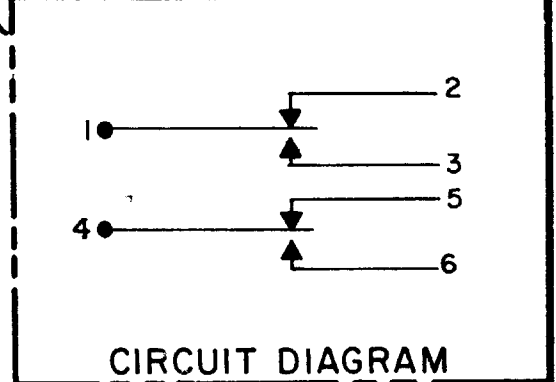


MICRO SWITCH
 FREEPORT ILLINOIS U S A
 A DIVISION OF HONEYWELL
 FED. MFG. CODE 91929

SWITCH - ENCLOSED

CATALOG LISTING
21EN9-12



21EN9-12
 DRAWING NUMBER
 M
 ISSUE
 13
 13
 REVISIONS
 A GO 44331 12 SEP 79
 B PR8705 28 APR 80
 C CO47573 PART 4 7 AUG 80
 D CO51725C 19 JAN 83
 E CO57370 15 MAY 85
 F CO74101 16 JAN 93
 G CO 77504A L J F 12 MAR 94
 H 0061116 MBH 04 FEB 10
 RASTER FO-5285 1-A
 DRAWN
 G J W 12 SEP 79
 CHECK
 C E B 13 SEPT 79
 CMH 04 FEB 10
 CHECK
 PR-8705
 RELEASE NO.

THIS DRAWING COVERS A PROPRIETARY ITEM AND IS THE PROPERTY OF MICRO SWITCH, A DIVISION OF HONEYWELL. THIS DRAWING IS NOT TO BE COPIED OR USED WITHOUT THE APPROVAL OF MICRO SWITCH.		THIRD ANGLE PROJECTION	SCALE FULL
CHARACTERISTICS		ELECTRICAL DATA	DO NOT SCALE PRINT
OPERATING FORCE	6-12 LB	CONTACT ARRANGEMENT	TOLERANCES
FULL OVERTRAVEL FORCE	30-LB MAX	SPDT (2)	APPLY TO DESIGN UNITS. CONVERSIONS ARE ONLY FOR REFERENCE. UNLESS NOTED, TOLERANCES ARE ±
RELEASE FORCE	4 LB MIN	LOAD	DIM. mm TOL. mm/in DIM. in TOL. mm/in
PRETRAVEL	.040 MAX	28 VDC	NO PLACES X 1/04 X X 0.41,018 X X 0.81,03
DIFFERENTIAL TRAVEL	.020 MAX	SEA LEVEL	TWO PLACES X,XX 0.157,008 X XX 0.387,015
OVERTRAVEL	.250 MIN	50,000 FT.	THREE PLACES X,XXX 0.157,008 X XXX 0.157,008
		RES	ANGLES
		IND	DESIGN UNITS
		MOTOR	SI METRIC <input type="checkbox"/> US CUSTOMARY <input checked="" type="checkbox"/>
		LAMP	RAW MATERIAL-COMMERCIAL STANDARD MICRO SWITCH STANDARDS APPLY
			DIMENSIONS ARE TO BE MET BEFORE PROTECTIVE COATINGS ARE APPLIED
			WEIGHT 11.5 OZ MAX

- NOTES**
- 1 - CORROSION RESISTANT STEEL ENCLOSURE
 - 2 - SWITCH SEALED PER MIL-PRF-8805 SYMBOL 4
 - 3 - CIRCUIT IDENTIFICATION AND CATALOG LISTING ARE SHOWN ON NAMEPLATE
 - 4 - COINCIDENCE OF OPERATING AND RELEASING POINTS: .010 OF PLUNGER TRAVEL
 - 5 - TO ADJUST ROLLER DIRECTION, REMOVE ROLLER GUIDE LOCK RING, SCREW ROLLER GUIDE DOWN AS FAR AS POSSIBLE, THEN UNSCREW TO DESIRED DIRECTION. SECURE BY REPLACING ROLLER GUIDE LOCK RING
 - 6 - HARDWARE MAY BE PACKAGED UNASSEMBLED PER MIL-PRF-8805