

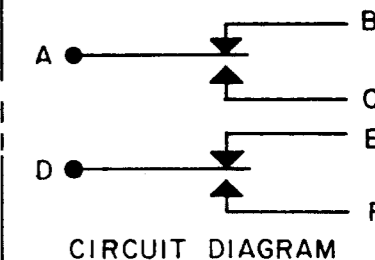
MICRO SWITCH

FREEPORT, ILLINOIS, U.S.A.
A DIVISION OF HONEYWELL

FED. MFG. CODE 91929

SWITCH - ENCLOSED

CATALOG LISTING
21EN275-R1



21EN275-R1

M

DRAWING NUMBER

2

ISSUE

REVISIONS

A PR-17479 RELEASE
T J O 10 JUL 89

REPLACES

PR-17479

CHECK

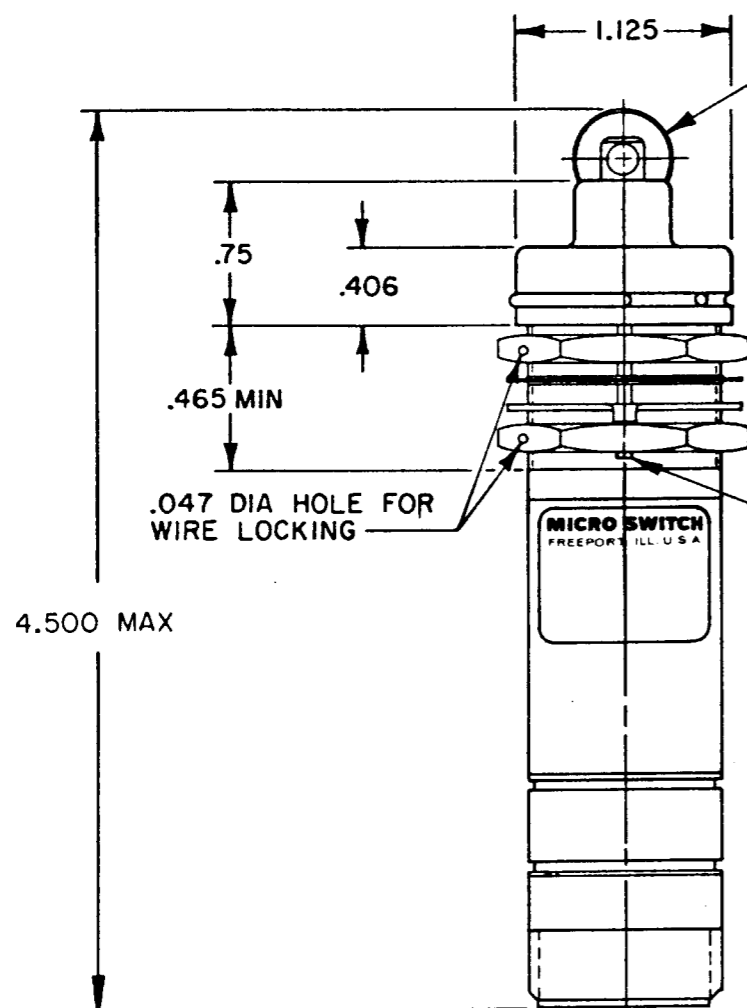
CHECK

CHECK

10 JUL 89

DRAWN

FO-52851-B

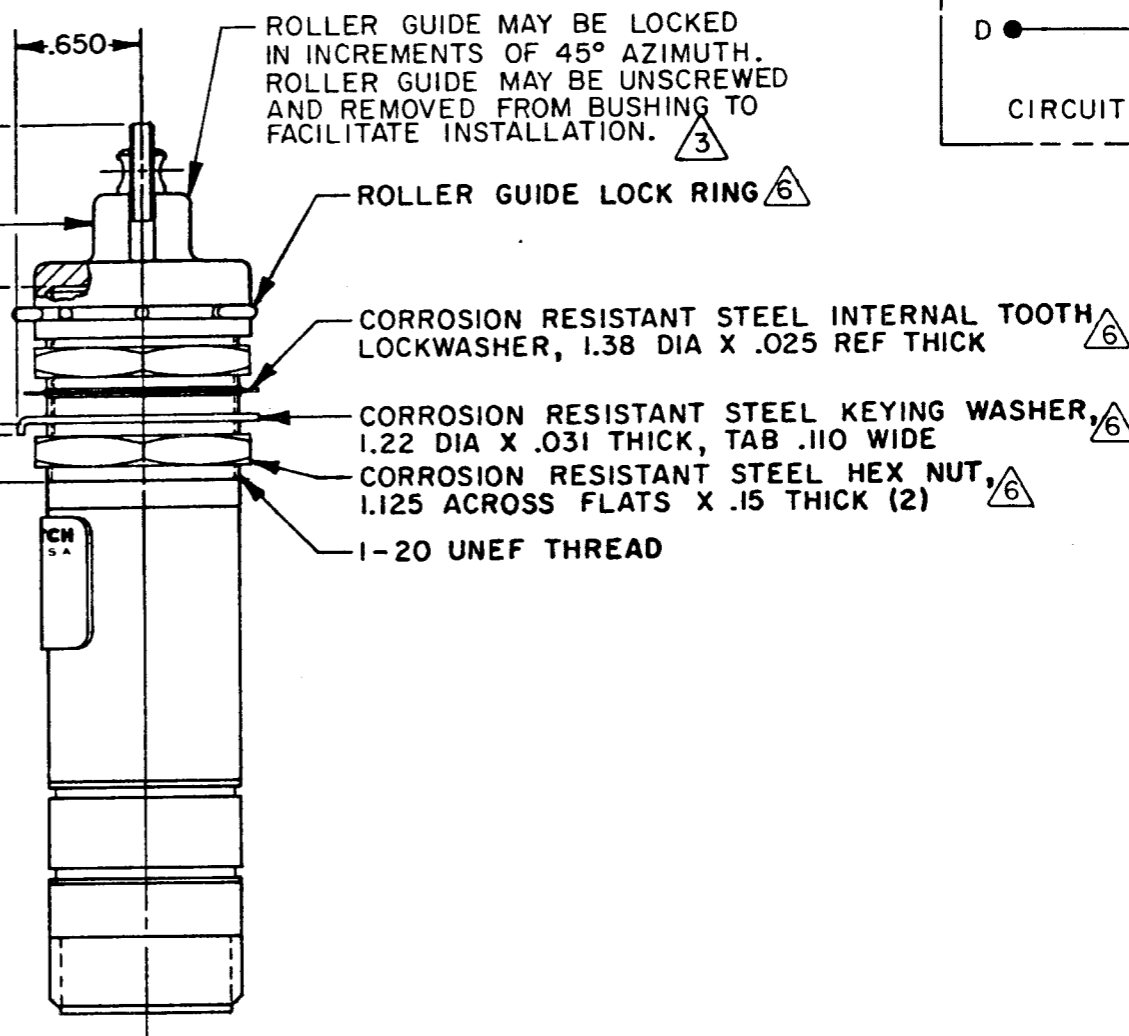


.5 DIA X .12 WIDE
CORROSION RESISTANT
STEEL ROLLER

.781 ± .030
FREE
POSITION

THREADED
BUSHING,
.812 MIN

.072 ± .004 WIDE X .038 ± .003
DEEP KEYWAY, .750 MIN LENGTH



ROLLER GUIDE MAY BE LOCKED
IN INCREMENTS OF 45° AZIMUTH.
ROLLER GUIDE MAY BE UNSCREWED
AND REMOVED FROM BUSHING TO
FACILITATE INSTALLATION.

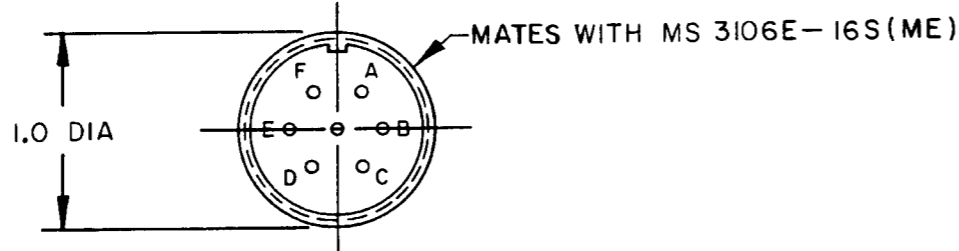
ROLLER GUIDE LOCK RING

CORROSION RESISTANT STEEL INTERNAL TOOTH
LOCKWASHER, 1.38 DIA X .025 REF THICK

CORROSION RESISTANT STEEL KEYING WASHER,
1.22 DIA X .031 THICK, TAB .110 WIDE

CORROSION RESISTANT STEEL HEX NUT,
1.125 ACROSS FLATS X .15 THICK (2)

1-20 UNEF THREAD



NOTES

- 1 CORROSION RESISTANT STEEL ENCLOSURE
- 2 - SWITCH SEALED PER MIL-S-8805 SYMBOL 4
- 3 TO ADJUST ROLLER DIRECTION REMOVE ROLLER GUIDE LOCK RING, SCREW ROLLER GUIDE DOWN AS FAR AS POSSIBLE, THEN UNSCREW TO DESIRED DIRECTION. SECURE BY REPLACING ROLLER GUIDE LOCK RING
- 4 CIRCUIT DIAGRAM AND CAT. LIST. ARE SHOWN ON NAMEPLATE
- 5 - COINCIDENCE OF OPERATING AND RELEASING POINTS: .010 INCH OF PLUNGER TRAVEL
- 6 HARDWARE MAY BE PACKAGED UNASSEMBLED PER MIL-S-8805

THIS DRAWING COVERS A PROPRIETARY ITEM AND IS THE PROPERTY OF MICRO SWITCH, A DIVISION OF HONEYWELL. THIS DRAWING IS NOT TO BE COPIED OR USED WITHOUT THE APPROVAL OF MICRO SWITCH.

CHARACTERISTICS		ELECTRICAL DATA	
OPERATING FORCE	6-12 LB	CONTACT ARRANGEMENT S P D T (2)	
FULL OVERTRAVEL FORCE	30 LB MAX	28 VDC	
RELEASE FORCE	4 LB MIN	SEA LEVEL	50,000 FT.
PRETRAVEL	.040 MAX	RES	5
DIFFERENTIAL TRAVEL	.020 MAX	IND	3
OVERTRAVEL	.250 MIN	MOTOR	4

SCALE FULL	
DO NOT SCALE PRINT	
UNLESS OTHERWISE SPECIFIED TOLERANCES ARE	
ONE PLACE	(.0) ± .030
TWO PLACE	(.00) ± .015
THREE PLACE	(.000) ± .005
ANGLES	±
THIRD ANGLE PROJECTION	
WEIGHT 8 OZ MAX	