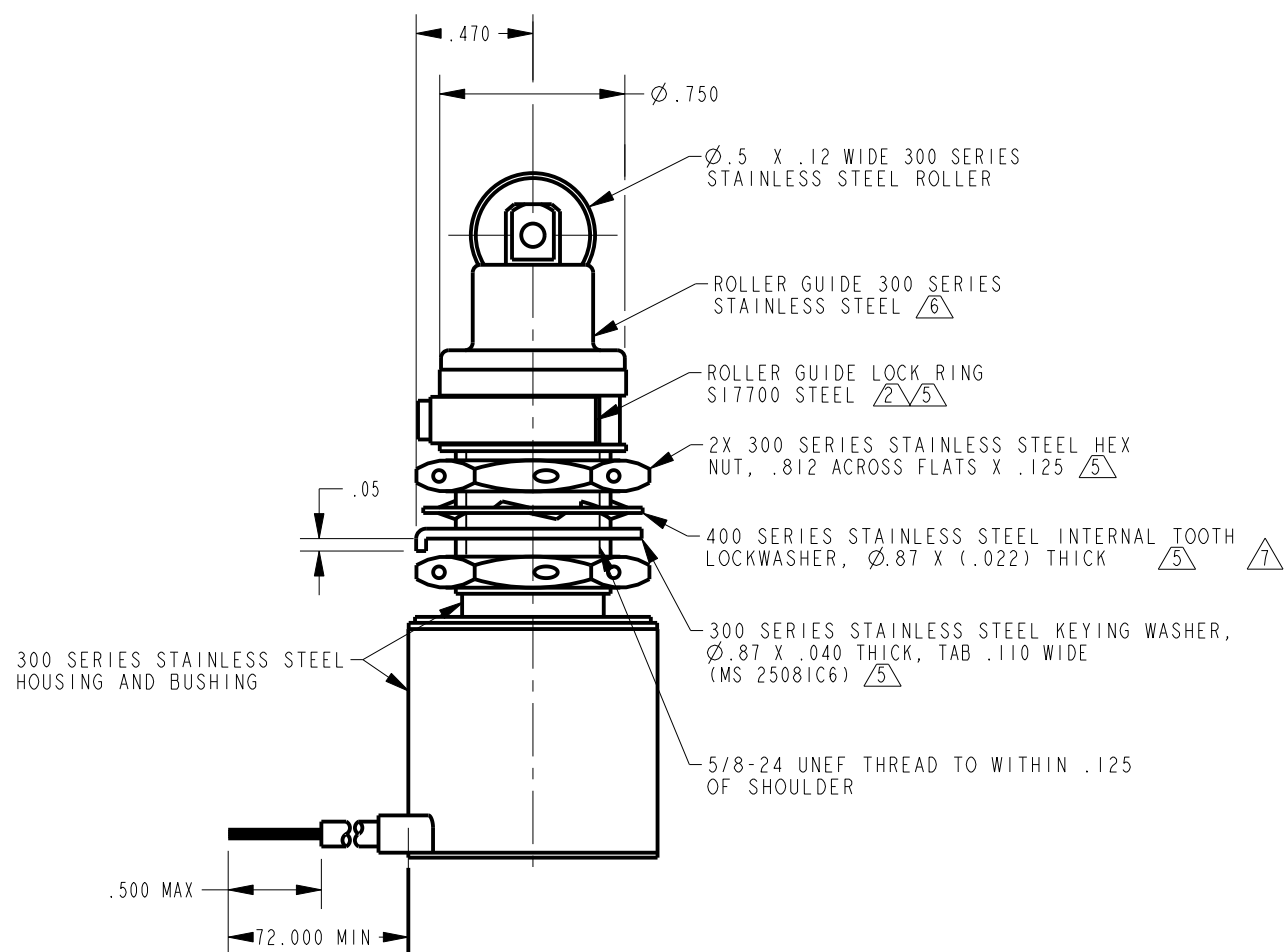
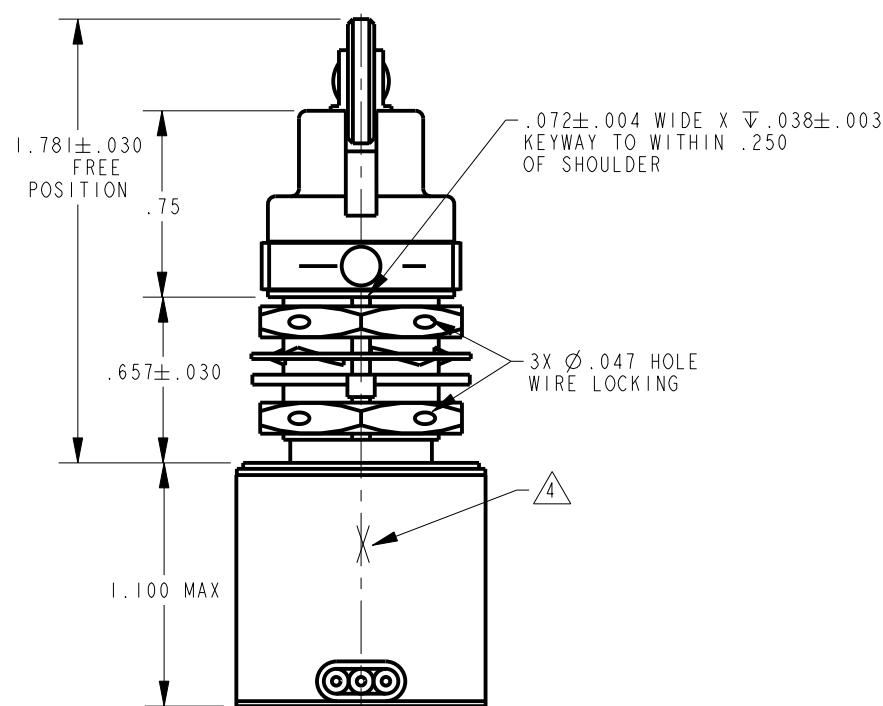
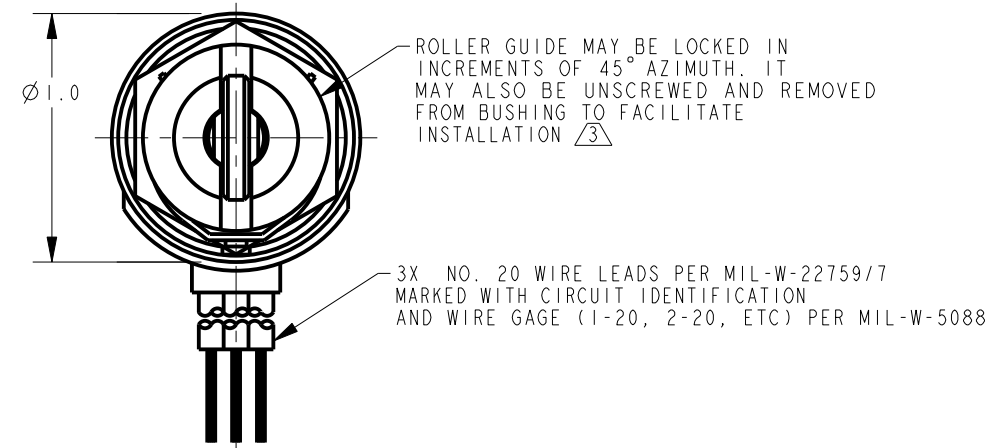
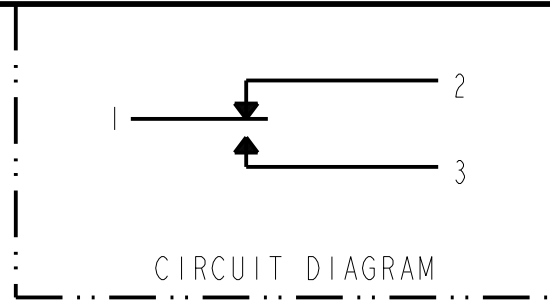


HONEYWELL PART NUMBER
21EN262-6
FAA-PMA



REV	DOCUMENT	CHANGED BY	CHECK
21	0006859	DVM 28JUL04	AK



SPECIFICATION DETAILS:				
STANDARD:	CONFORMS TO MS24331-1 (MIL-PRF-8805/40), EXCEPT AS NOTED			
CONSTRUCTION:				
ENCLOSURE DESIGN	RESILIENT SEAL PER MIL-PRF-8805, SYMBOL 4			
CONTACT MATERIAL & CONFIGURATION	SMOOTH SILVER CONTACTS			
CIRCUIT CONFIGURATION	1 SPDT			
TERMINATION	LEADWIRE PER MIL-W-22759/7			
WEIGHT	7 OZ MAX			
O-RING MATERIAL	SILICONE			
ELECTRICAL CHARACTERISTICS:				
ELECTRICAL RATINGS	VOLTAGE	RESISTIVE	MAXIMUM# LOAD INDUCTIVE	MOTOR
-SEA LEVEL	28 VDC	4A	2A	4A
-50,000 FEET	28 VDC	4A	2A	4A
DIELECTRIC STRENGTH & INSULATION RESISTANCE	DIELECTRIC STRENGTH		INSULATION RESISTANCE	
	≈ 60 Hz. FOR 5 SECONDS)		(500 VDC ±10%)	
-BETWEEN TERMINALS AND EXPOSED NON-CURRENT CARRYING METAL	1000 V Rms, 500µA (MAX. LEAKAGE)		1000 Megohms MIN	
-BETWEEN TERMINALS OF MUTUALLY INSULATED CIRCUITS	.		.	
-BETWEEN ALL UNCONNECTED TERMINALS OF THE SAME POLE	.		.	
SWITCH RESISTANCE	N/A			
RECOMMENDATION OR USE IN APPLICATIONS LESS THAN .5 amps AND/OR 12 volts	NO <sup>4</sup>			
MECHANICAL CHARACTERISTICS:				
CHARACTERISTICS:				
OPERATING FORCE	6-12 LBS			
FULL OVERTRAVEL FORCE	30 LB MAX			
RELEASE FORCE	4 LB MIN			
PRETRAVEL	.030 ± .010			
DIFFERENTIAL TRAVEL	.020 MAX			
OVERTRAVEL	.250 MIN			
TOTAL TRAVEL	.265 MIN			
MOUNTING STRENGTH	15 IN-LBS, RECOMMENDED PER MIL-PRF-8805			
ACTUATOR STRENGTH	30 LBS APPLIES IN A DIRECTION TO CAUSE SWITCH ACTUATION			
LIFE:				
MECHANICAL LIFE	25,000 MIN. PER MIL-PRF-8805/40 <sup>4</sup>			
ELECTRICAL LIFE AT FULL RATED LOAD	25,000 MIN. PER MIL-PRF-8805/40 <sup>4</sup>			
ENVIRONMENTAL:				
TEMPERATURE RANGE	-55° C TO +85° C			
ALTITUDE RANGE	SEA LEVEL TO 50,000 FEET			
SHOCK	PER MIL-PRF-8805 SYMBOL M - 100 g			
VIBRATION	PER MIL-PRF-8805 SYMBOL I - 10-500 Hz. & 10 g peak			
MOISTURE RESISTANCE	PER MIL-PRF-8805, (10 DAY TEST)			
THERMAL SHOCK	PER MIL-PRF-8805, (5 CYCLE TEST)			
SALT SPRAY	PER MIL-PRF-8805, (96 HOUR TEST)			

- NOTES
- <sup>1</sup> LIFE RATINGS ARE PER MIL-PRF-8805 REQUIREMENTS. ACTUAL LIFE EXCEEDS RATED LIFE. CONTACT HONEYWELL-MICRO SWITCH FOR ADDITIONAL DATA
  - <sup>2</sup> CONTACT HONEYWELL-MICRO SWITCH IF ADDITIONAL INFORMATION ON LOW ENERGY LOADS IS REQUIRED OR FOR HELP WITH SPECIFIC APPLICATIONS
  - <sup>3</sup> TO ADJUST ROLLER DIRECTION, REMOVE ROLLER GUIDE LOCK RING, SCREW ROLLER GUIDE DOWN AS FAR AS POSSIBLE, THEN UNSCREW TO DESIRED DIRECTION. SECURE BY REPLACING ROLLER GUIDE LOCK RING
  - <sup>4</sup> MICRO SWITCH, CIRCUIT DIAGRAM, CAT. LIST., DATE CODE, FED. MFG. CODE, AND FAA-PMA ARE IDENTIFIED ON SWITCH
  - <sup>5</sup> - REPLACEMENT LOCK RING-PACKET 15PA137
  - <sup>6</sup> HARDWARE MAY BE PACKAGED UNASSEMBLED PER MIL-PRF-8805
  - <sup>7</sup> JAM NUT INSTALLATION TORQUE : 15-30 IN-LBS
  - <sup>8</sup> FOR MANUFACTURING DETAIL SEE ASSEMBLY DRAWING 21EN262-6 FOR FAA-PMA

DESIGN UNITS: INCH	DRAWN	TSM	INOV00	<b>Honeywell</b>						
TOLERANCES UNLESS NOTED:	CHECK	SAV	INOV00							
NO PLACE .X ±	THIS DRAWING COVERS A PROPRIETARY ITEM AND IS THE PROPERTY OF HONEYWELL. THIS DRAWING IS NOT TO BE COPIED OR USED WITHOUT THE PERMISSION OF HONEYWELL.			TITLE <b>SWITCH - ENCLOSED</b>						
ONE PLACE .X ±							SIZE	TYPE	DRAWING NAME	REV
TWO PLACE .XX ±				INTERPRET PER ANSI Y14.5M-1982 OTHER HONEYWELL ENGINEERING STANDARDS MAY APPLY			<b>C</b>	<b>I</b>	<b>21EN262-6</b>	<b>21</b>
THREE PLACE .XXX ±				Pro/ENGINEER 2D			SCALE	2:1	SHEET	1 OF 1
FOUR PLACE .XXXX ±										
ANGLES X ±										
THIRD ANGLE PROJECTION										