

# HONEYWELL

## 21CH9-3

*See full Datasheet below...*

**onlinecomponents.com**

THE ONLINE DISTRIBUTOR OF ELECTRONIC COMPONENTS

**BUY NOW**



**MASTER**<sup>TM</sup>  
ELECTRONICS

**BUY NOW**

masterelectronics.com & onlinecomponents.com  
are **authorized** e-commerce distributors  
of electronic components.

**MICRO SWITCH**  
a Honeywell Division

FED. MFG. CODE 91929

SWITCH — ENCLOSED

CATALOG LISTING  
21CH9-3

CATALOG LISTING  
21CH9-3

ISSUE  
7

REPLACES  
PR-7473

REVISIONS  
A CO-77504-A  
S A V  
12 MAR 94

DDM/CAD  
DRAWN

CHECK

CHECK

CHECK

CHECK

CHECK

CHECK

CHECK

CHECK

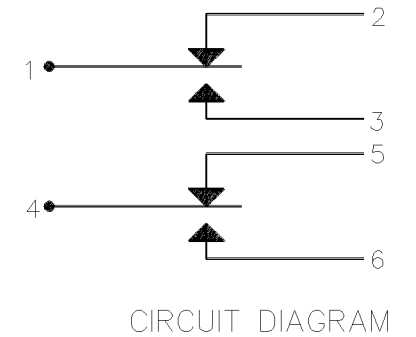
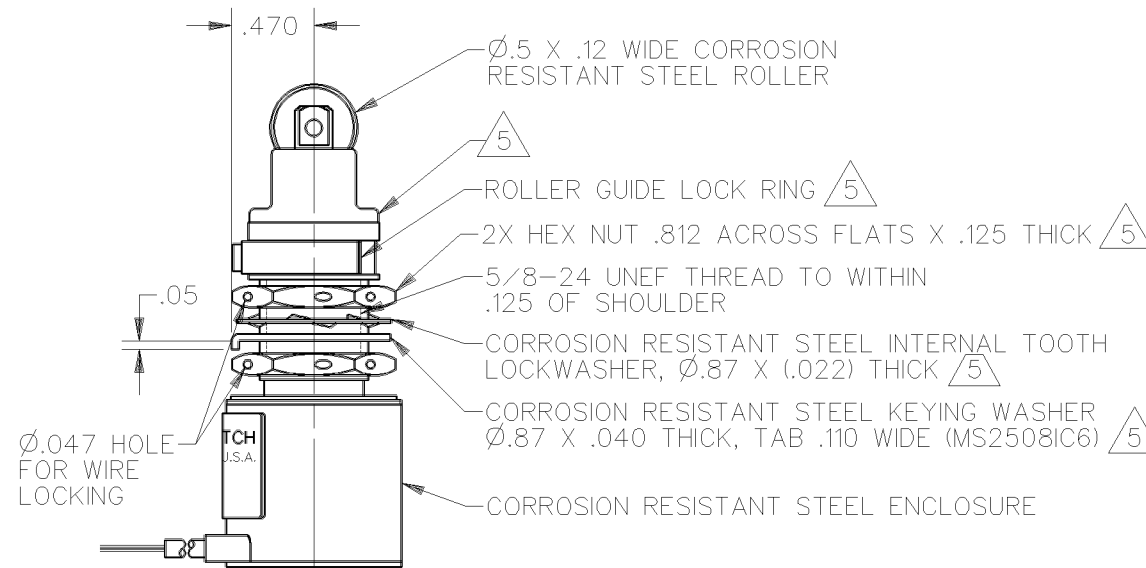
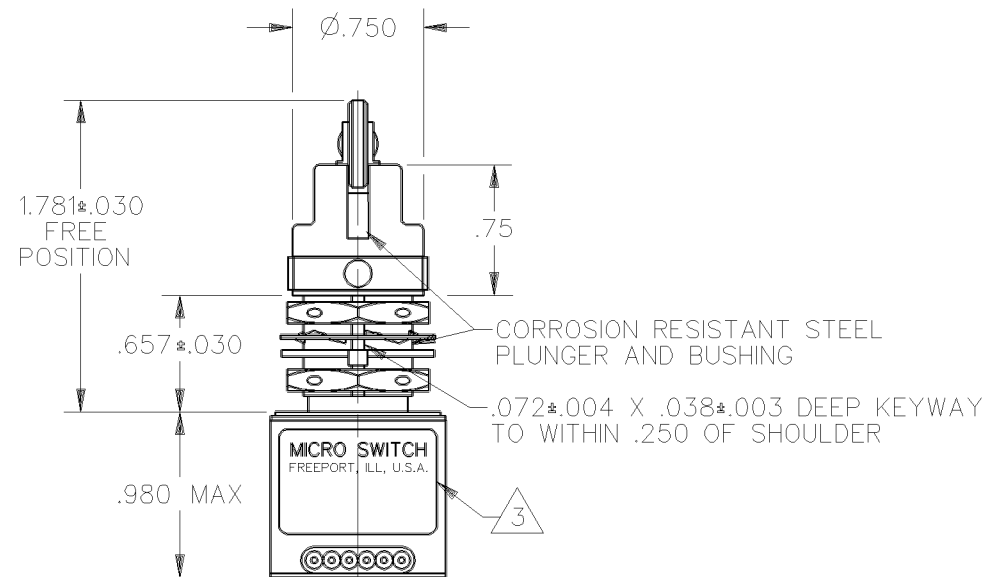
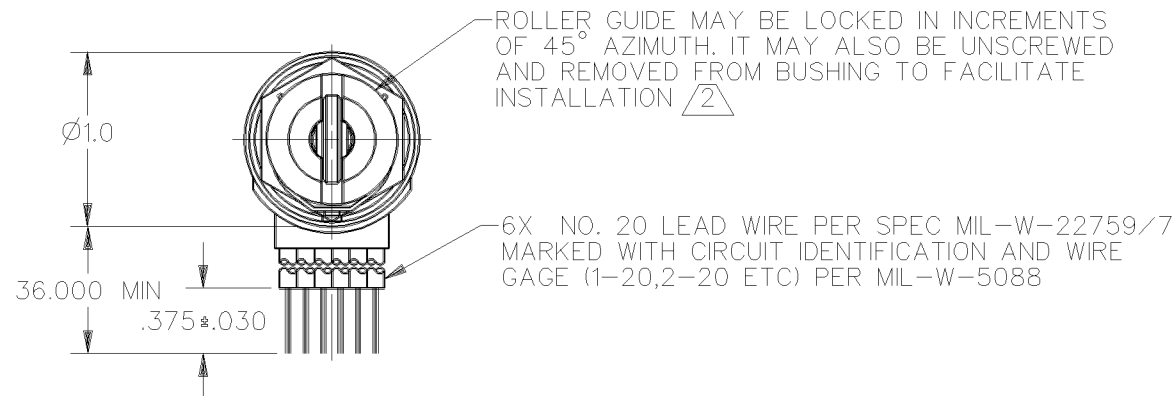
CHECK

CHECK

CHECK

CHECK

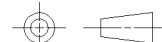
CHECK



- NOTES
- 1 - SWITCH SEALED PER MIL-S-8805 SYMBOL 3
  - (2) TO ADJUST ROLLER DIRECTION, REMOVE ROLLER GUIDE LOCK RING, SCREW ROLLER GUIDE DOWN AS FAR AS POSSIBLE, THEN UNSCREW TO DESIRED DIRECTION. SECURE BY REPLACING ROLLER GUIDE LOCK RING
  - (3) MICRO SWITCH IDENTIFICATION, CATALOG LISTING, CIRCUIT DIAGRAM AND DATE CODE ARE SHOWN ON NAMEPLATE
  - 4 - COINCIDENCE OF OPERATING AND RELEASING POINTS: .010 INCH OF PLUNGER TRAVEL
  - (5) HARDWARE MAY BE PACKAGED UNASSEMBLED PER MIL-S-8805

THIS DRAWING COVERS A PROPRIETARY ITEM AND IS THE PROPERTY OF MICRO SWITCH, A DIVISION OF HONEYWELL. THIS DRAWING IS NOT TO BE COPIED OR USED WITHOUT THE APPROVAL OF MICRO SWITCH

THIRD ANGLE PROJECTION



SCALE FULL

DO NOT SCALE PRINT

UNLESS OTHERWISE SPECIFIED TOLERANCES ARE

ONE PLACE (.0) ±.030  
TWO PLACE (.00) ±.015  
THREE PLACE (.000) ±.005  
ANGLES ±

WEIGHT 6.8 OZ MAX

ANSI Y14.5M-1982 APPLIES

CHARACTERISTICS	
OPERATING FORCE	6-12 LB
FULL OVERTRAVEL FORCE	30 LB MAX
RELEASE FORCE	4 LB MIN
PRETRAVEL	.040 MAX
DIFFERENTIAL TRAVEL	.020 MAX
OVERTRAVEL	.250 MIN

ELECTRICAL DATA		
CONTACT ARRANGEMENT 2X S P D T		
28 VDC		
LOAD	SEA LEVEL	50,000 FT.
RES	4	4
IND	2	2
MOTOR	4	