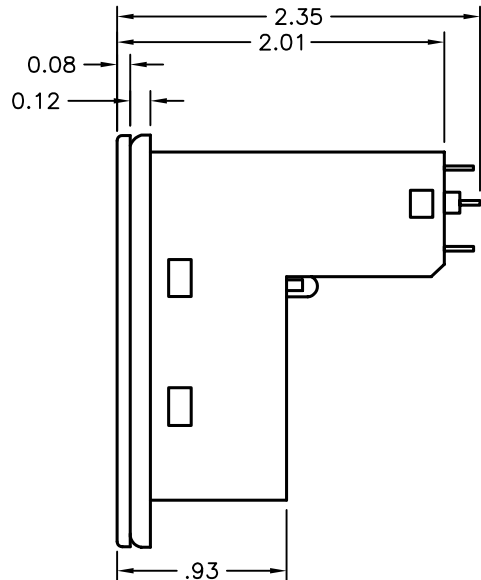
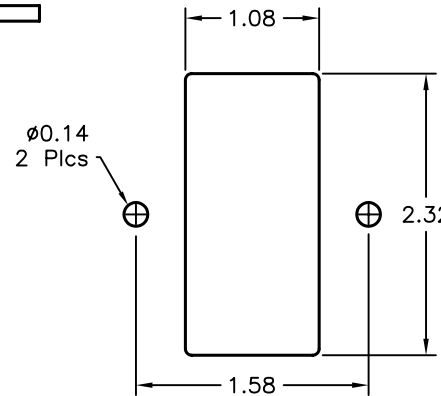
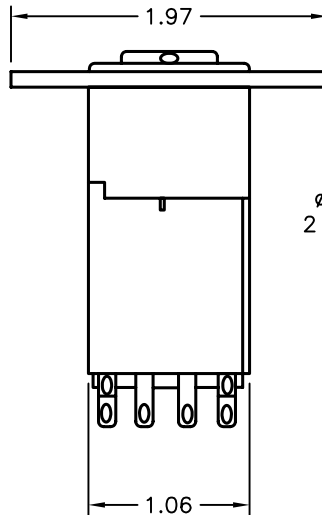
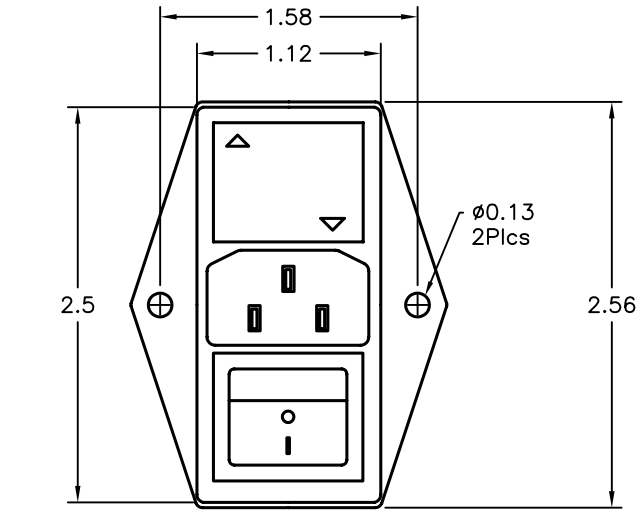


REVISIONS

DCP #	REV	DESCRIPTION	DRAWN	DATE	CHECKD	DATE	APPRVD	DATE
1536	C	Dimensions updated	JWM	5/15/03	JC	5/15/03	JC	5/15/03
1931	D	Schematic Updated	DCM	7/17/07	JWM	7/17/07	JWM	7/17/07



Electrical Characteristics:

Rated Current

UL/CSA @ 250 VAC 10/6 AMP

VDE @ 250 V AC 10 AMP

DPST Power Switch:

UL/CSA @ 250 VAC 6 AMP

VDE @ 250 VAC 6 AMP

Single or Double 5 x 20 mm

or 6.3 x 32 mm Fuse holder

Solder Tab Terminals

Flammability class UL94V-0

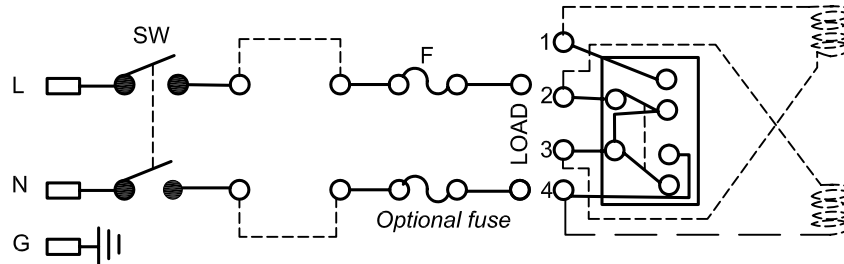
Plastic Case

Screw Mount Type

Voltage Selector 110-120 VAC

220-240 VAC

Electrical schematic:



110V-120V

Customer supplied Dual Primary Single Secondary Transformer

110V-120V

—— Internally Connected

- - - - - Connected by User

DISCLAIMER:
ALL STATEMENTS AND TECHNICAL INFORMATION CONTAINED HEREIN ARE BASED UPON INFORMATION AND/OR TESTS WE BELIEVE TO BE ACCURATE AND RELIABLE. SINCE CONDITIONS OF USE ARE BEYOND OUR CONTROL, THE USER SHALL DETERMINE THE SUITABILITY OF THE PRODUCT FOR THE INTENDED USE AND ASSUME ALL RISK AND LIABILITY WHATSOEVER IN CONNECTION THEREWITH.

TOLERANCES:
UNLESS OTHERWISE SPECIFIED, DIMENSIONS ARE FOR REFERENCE PURPOSES ONLY.

DRAWN BY:	DATE:
JEFF McVicker	11/3/99
CHECKED BY:	DATE:
JOHN COLE	2/4/98
APPROVED BY:	DATE:
BRETT BRAATZ	2/5/98

DRAWING TITLE: Power Entry Module			
SIZE	DWG. NO.	ELECTRONIC FILE	REV
A	2169	92n4172.DWG	D
SCALE: NTS	U.O.M.: INCHES	SHEET: 1 OF 1	