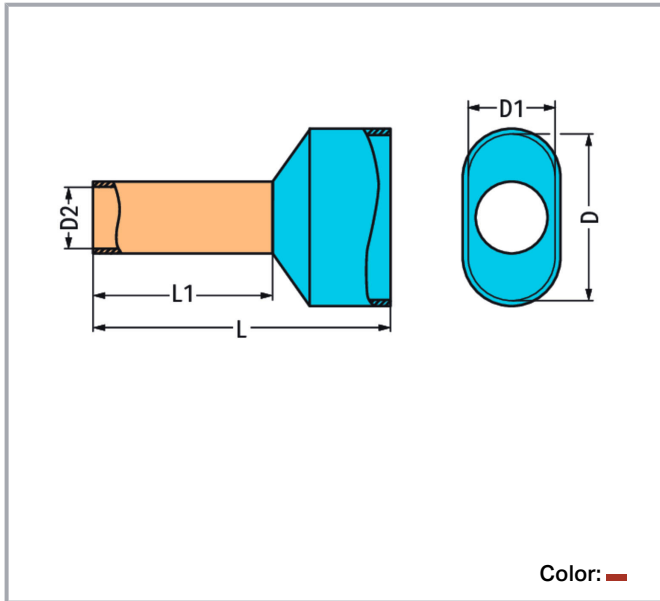


## Data sheet | Item number: 216-542

Twin ferrule; Sleeve for 2 x 1 mm<sup>2</sup> / AWG 2 x 18; red, insulated; 12 mm long; red



[www.wago.com/216-542](http://www.wago.com/216-542)



### Data

#### Technical data

Main product function	Ferrule
Sleeve cross-section (AWG)	18 AWG
Sleeve for	1 mm <sup>2</sup>

#### Connection data

Strip length	12 mm / 0.47 inch
Fine-stranded conductor	1 mm <sup>2</sup> / 18 AWG

#### Physical data

Length	19 mm
Length 1	12 mm
Diameter	5.8 mm
Diameter 1	3.2 mm
Diameter 2	2 mm

Subject to changes. Please also observe the further product documentation!

WAGO Corporation  
Germantown, WI 53022  
Phone: 1-800-DIN-RAIL (346-7245) | Fax: (262) 255-6222  
Email: [info.us@wago.com](mailto:info.us@wago.com) | Web: [www.wago.us](http://www.wago.us)

Do you have any questions about our products?  
We are always happy to take your call at (262) 255-6222 or 1 800-DIN-RAIL.



### Material data

Color	red
Weight	0.2 g

### Commercial data

Product Group	2 (Terminal Block Accessories)
Packaging type	box
Country of origin	DE
GTIN	4045454331542
Customs tariff number	8536904000

### Downloads

#### Documentation

##### Bid Text

216-542 doc - Datei	4 Jan 2018	doc 22.5 kB	Download
216-542 X81 - Datei	19 Feb 2019	xml 2.6 kB	Download

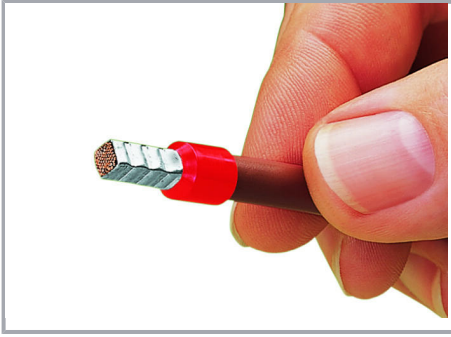
### Environmental Product Compliance

#### Compliance Search

Environmental Product Compliance 216-542 Twin ferrule; Sleeve for 2 x 1 mm <sup>2</sup> / AWG 2 x 18; red, insulated; 12 mm long; red	URL	Download
--	-----	----------

### Installation Notes

Subject to changes. Please also observe the further product documentation!



A perfect gas-tight crimp – both electrically and mechanically reliable

Subject to changes. Please also observe the further product documentation!

---

WAGO Corporation  
Germantown, WI 53022  
Phone: 1-800-DIN-RAIL (346-7245) | Fax: (262) 255-6222  
Email: [info.us@wago.com](mailto:info.us@wago.com) | Web: [www.wago.us](http://www.wago.us)

Do you have any questions about our products?  
We are always happy to take your call at (262) 255-6222 or 1 800-DIN-RAIL.