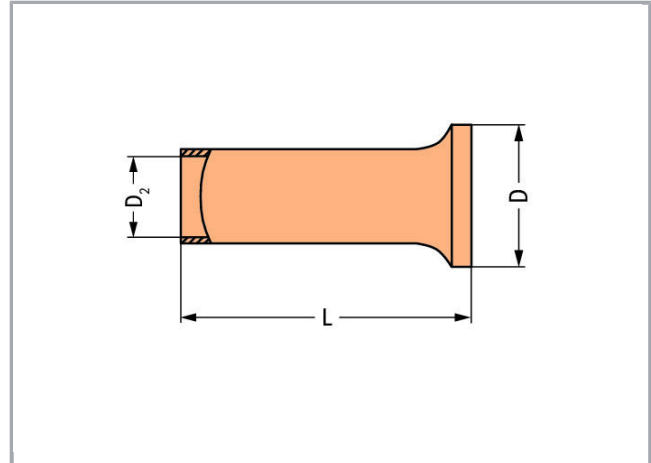
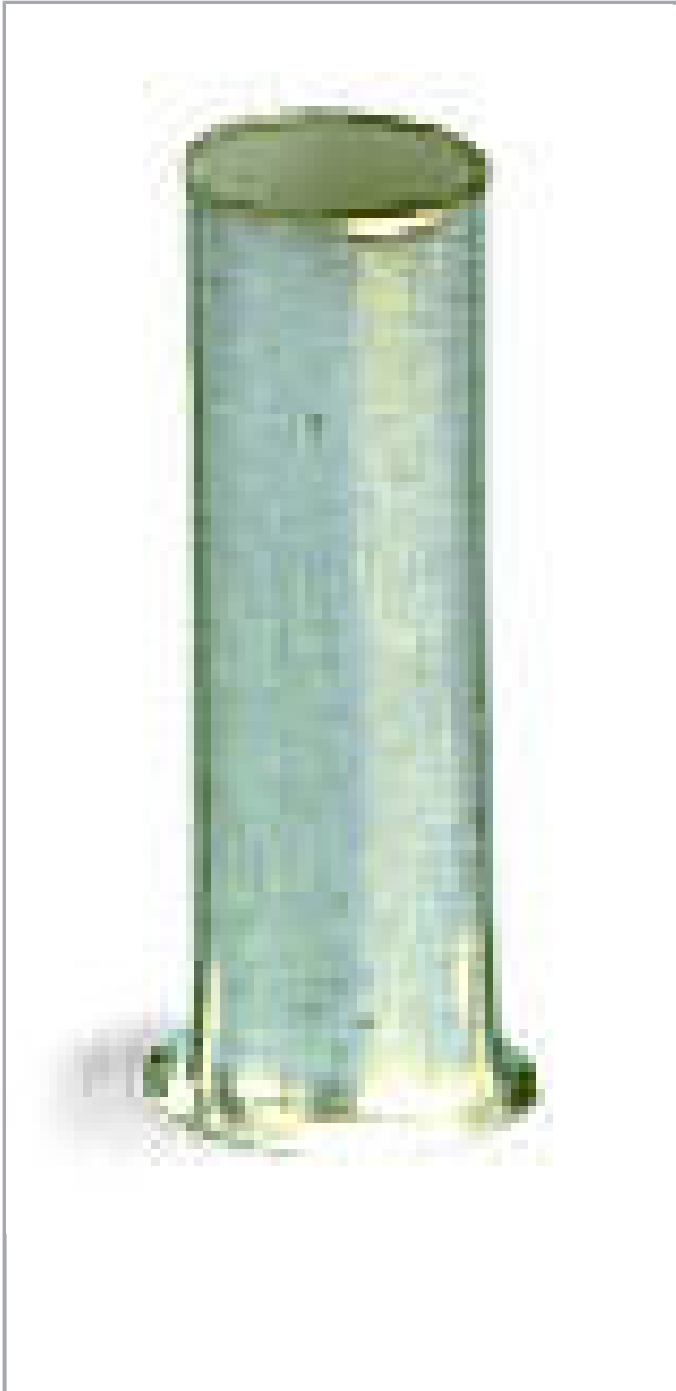


Data sheet | Item number: 216-124

Ferrule; Sleeve for 1.5 mm² / AWG 16; uninsulated; electro-tin plated

www.wago.com/216-124



Subject to changes.

WAGO Kontakttechnik GmbH & Co. KG
Hansastr. 27
32423 Minden
Phone: +49571 887-0 | Fax: +49571 887-169
Email: info.de@wago.com | Web: www.wago.com

Do you have any questions about our products?
We are always happy to take your call at +49 (571) 887-44222.

RoHS 
Compliant

[BOMcheck.net](https://www.bomcheck.net)

Data

Technical Data

Main product function	Ferrule
Querschnitt Hülse AWG	16 AWG
Hülse für	1.5 mm ²

Connection data

Strip length	6 mm / 0.24 inch
--------------	------------------

Geometrical Data

Length	6 mm
Diameter	2.8 mm
Diameter 2	1.7 mm

Material Data

Weight	0.1 g
--------	-------

Commercial data

Product Group	2 (Terminal Block Accessories)
Packaging type	BOX
Country of origin	DE
GTIN	4017332277662
Customs Tariff No.	85369010000

Downloads

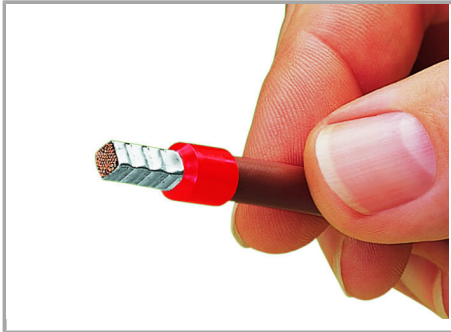
Documentation

Bid Text

216-124	Feb 19, 2019	xml	Download
X81 - Datei		2.8 kB	

Subject to changes.

Installation Notes



A perfect gas-tight crimp – both electrically and mechanically reliable

Subject to changes.