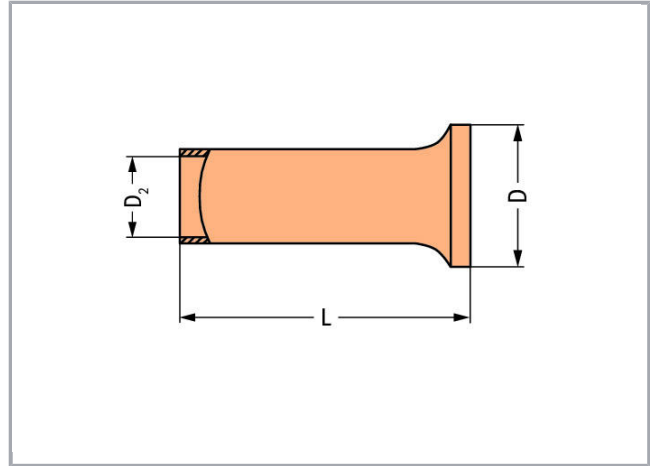


Data sheet | Item number: 216-102

Ferrule; Sleeve for 0.75 mm² / AWG 20; uninsulated; electro-tin plated

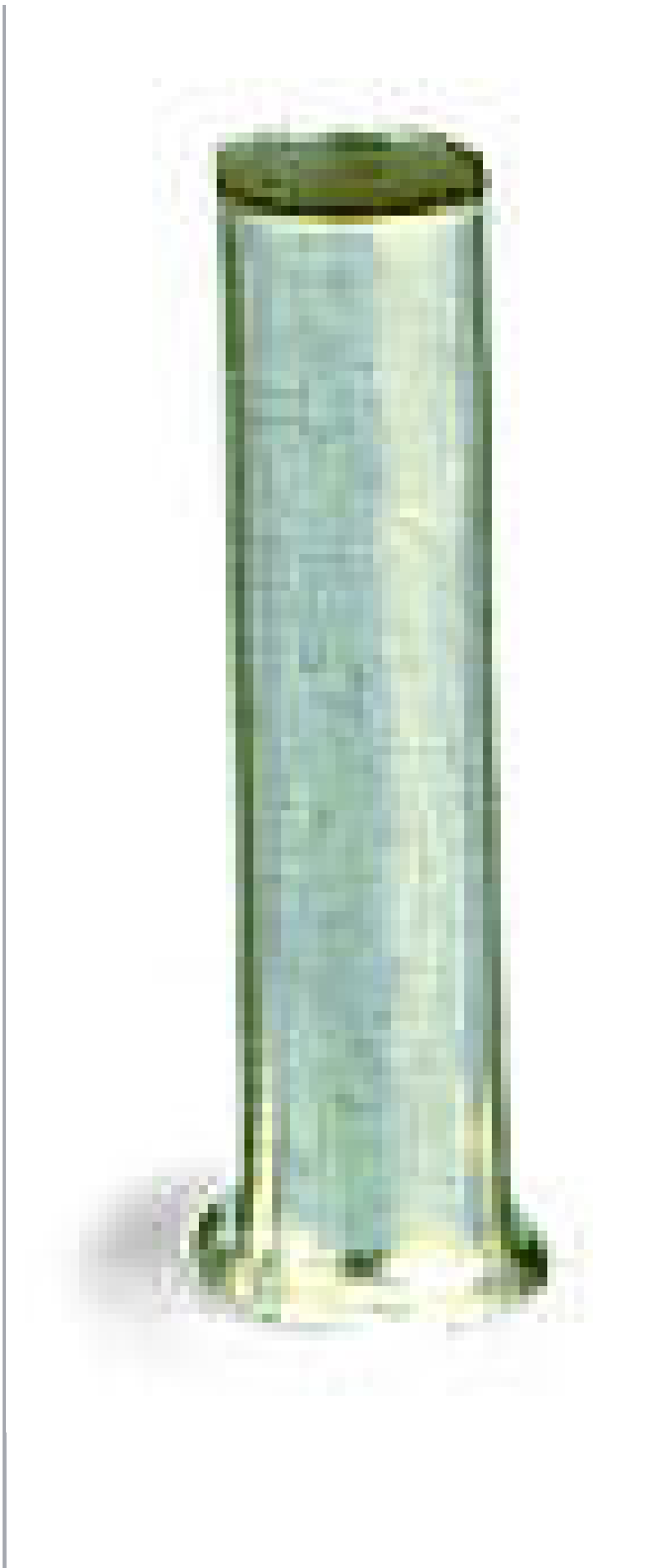
www.wago.com/216-102



Subject to changes.

WAGO Kontakttechnik GmbH & Co. KG
Hansastr. 27
32423 Minden
Phone: +49571 887-0 | Fax: +49571 887-169
Email: info.de@wago.com | Web: www.wago.com

Do you have any questions about our products?
We are always happy to take your call at +49 (571) 887-44222.



Subject to changes.

RoHS 
Compliant

[BOMcheck.net](https://www.bomcheck.net)

Data

Technical Data

| | |
|-----------------------|----------------------|
| Main product function | Ferrule |
| Querschnitt Hülse AWG | 18 AWG |
| Hülse für | 0.75 mm ² |

Connection data

| | |
|--------------|------------------|
| Strip length | 8 mm / 0.31 inch |
|--------------|------------------|

Geometrical Data

| | |
|------------|--------|
| Length | 8 mm |
| Diameter | 2.3 mm |
| Diameter 2 | 1.2 mm |

Material Data

| | |
|--------|-----|
| Weight | 0 g |
|--------|-----|

Commercial data

| | |
|--------------------|--------------------------------|
| Product Group | 2 (Terminal Block Accessories) |
| Packaging type | BOX |
| Country of origin | DE |
| GTIN | 4017332277631 |
| Customs Tariff No. | 85369010000 |

Downloads

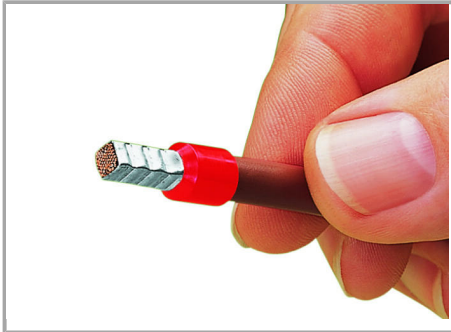
Documentation

Bid Text

| | | | |
|-------------|--------------|--------|----------|
| 216-102 | Feb 19, 2019 | xml | Download |
| X81 - Datei | | 2.8 kB | |

Subject to changes.

Installation Notes



A perfect gas-tight crimp – both electrically and mechanically reliable

Subject to changes.