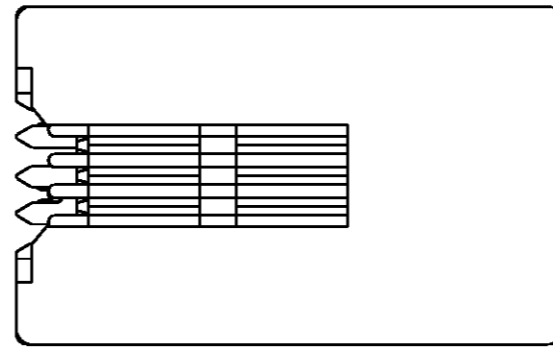


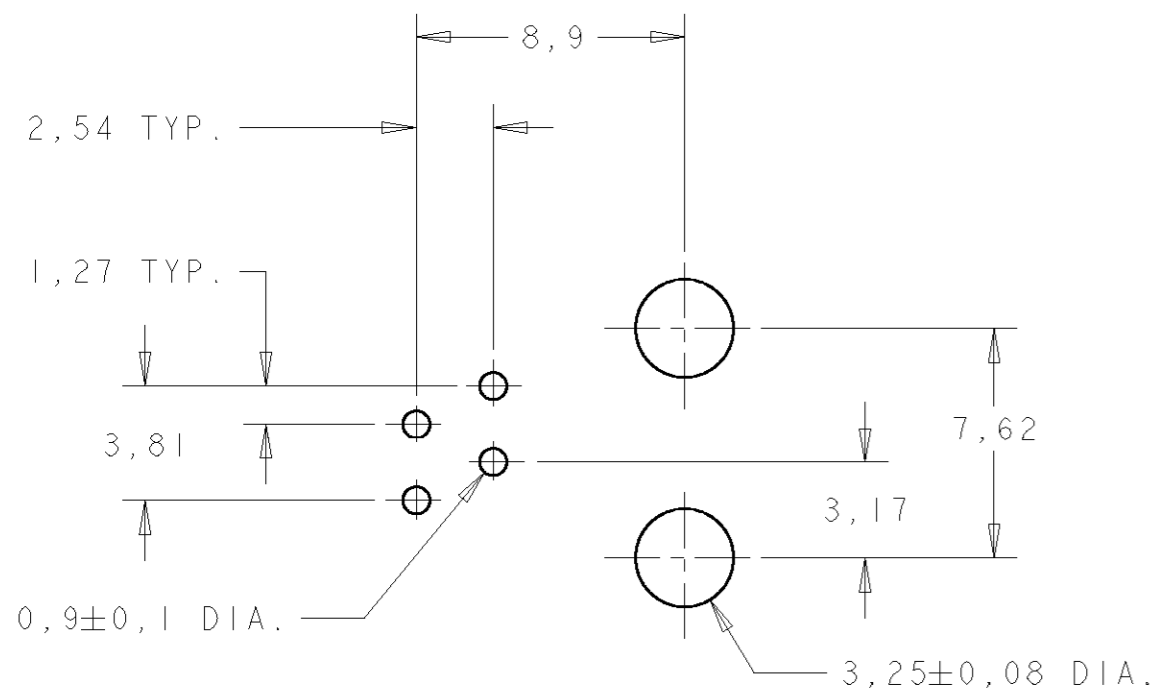
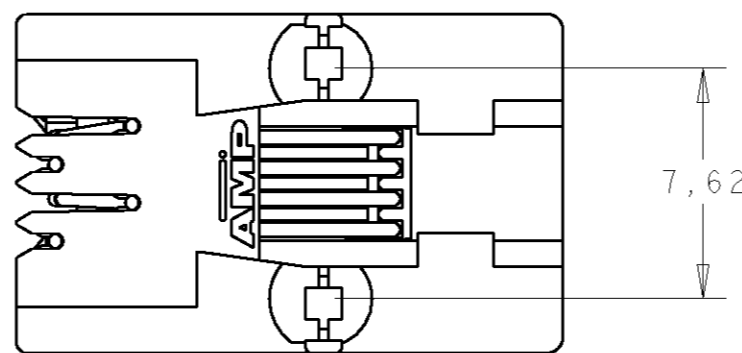
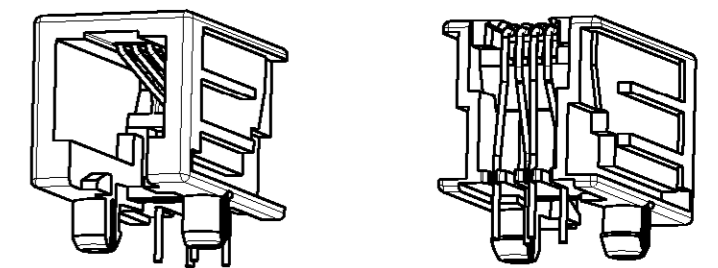
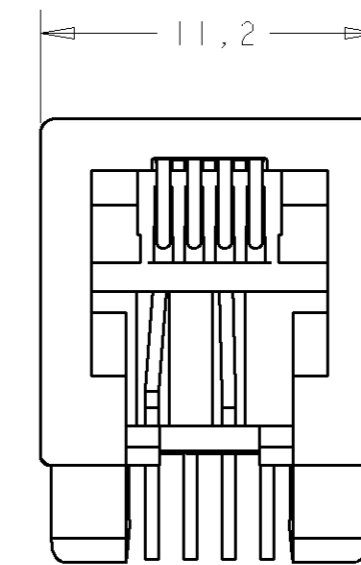
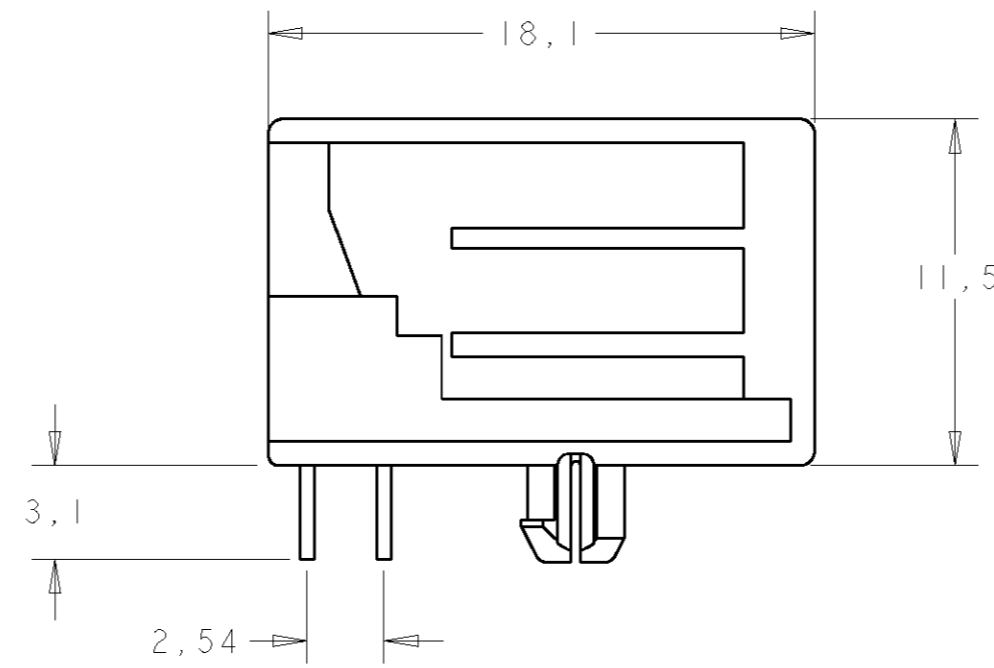
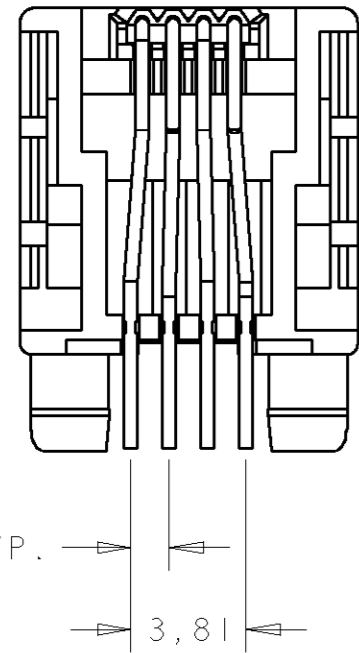
THIS DRAWING IS UNPUBLISHED. RELEASED FOR PUBLICATION DATE: -  
 © COPYRIGHT 97 By Tyco Electronics Nederland B.V. ALL RIGHTS RESERVED.

LOC	DIST	REVISIONS			
		LTR	DESCRIPTION	DATE	APVD
H	-	U	ECR-05-012760	10-OCT-05	JB
		-	-	-	-
		-	-	-	-



NOTES:

- 1 TOLERANCE UNLESS OTHERWISE SPECIFIED: 0,15.
- 2 BULK PACKAGING: TRUE POSITIONING OF THE SOLDER TINES IS NOT GUARANTEED.
- 3 SUPERSEDED BY 1-215876-3



PRINTED CIRCUIT BOARD LAYOUT

(VIEW SHOWN IS CIRCUIT (NON-COMPONENT) SIDE OF BOARD.)  
 PRINTED CIRCUIT BOARD THICKNESS: 1,6mm NOMINAL.  
 TOLERANCE UNLESS OTHERWISE SPECIFIED: ±0,05.

IN CONTACT AREA: 1,2µm MIN. SEL. GOLD OVER 1,2µm MIN. NICKEL. SOLDER TINES: 2,5µm MIN. TIN OVER 1,2µm MIN. NICKEL.	HOUSING, COLOR BLACK: PBT 20% GF, UL 94V-0 CONTACT INSERT: PBT, UL 94V-0 CONTACTS: PH, BRONZE	290 PCS IN A TRAY	1-215875-3
		50 PCS IN A TUBE (SEE SHEET 2)	3-215875-3
		BULK PACKAGED IN A BOX	2-215875-1
		<del>120 PIECES IN MULTI-TUBE</del>	<del>1-215875-1</del>
		TAPE MOUNTED 1000pcs./reel	215875-1
FINISH	MATERIAL	PACKAGING	PARTNUMBER

THIS DRAWING IS A CONTROLLED DOCUMENT FOR Tyco Electronics Nederland B.V.  
 IT IS SUBJECT TO CHANGE AND THE CONTROLLING ENGINEERING ORGANIZATION SHOULD BE CONTACTED FOR THE LATEST REVISION.

DIMENSIONS:	TOLERANCES UNLESS OTHERWISE SPECIFIED:
mm	
0 PLC	± -
1 PLC	± -
2 PLC	± -
3 PLC	± -
4 PLC	± -
ANGLES	± 0,2°
MATERIAL	FINISH

DWN	E.v.EIJK
CHK	M.v.ESSSEN
APVD	R. SMEETS
PRODUCT SPEC	108-19064
APPLICATION SPEC	114-19019
WEIGHT	-

**AMP** Tyco Electronics Nederland B.V.  
 's-HERTOGENBOSCH, THE NETHERLANDS

NAME: **MODULAR JACK SIDE ENTRY 4/4 FOR PRINTED CIRCUIT BOARD.**

SIZE	CAGE CODE	DRAWING NO.
A2	00779	215875

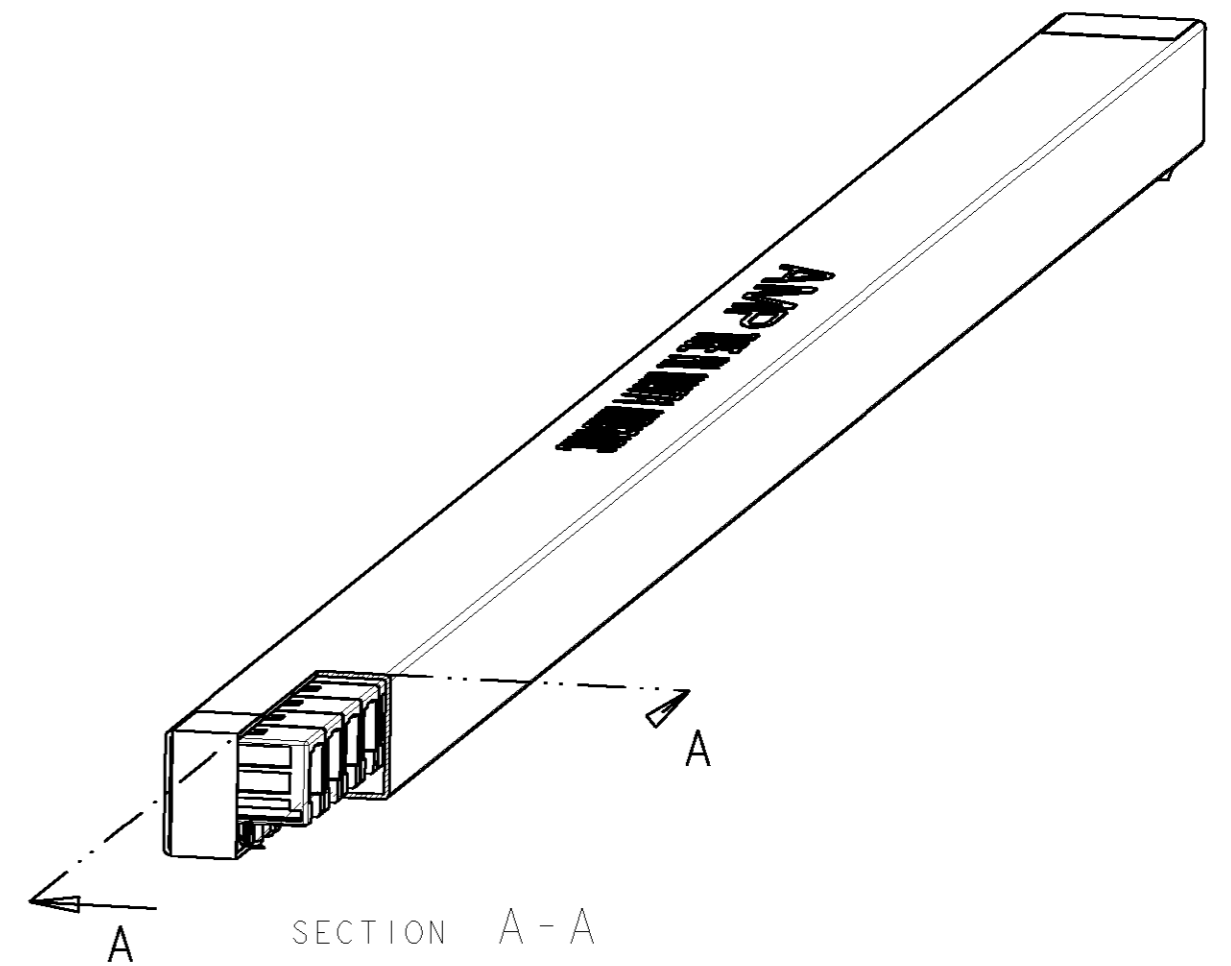
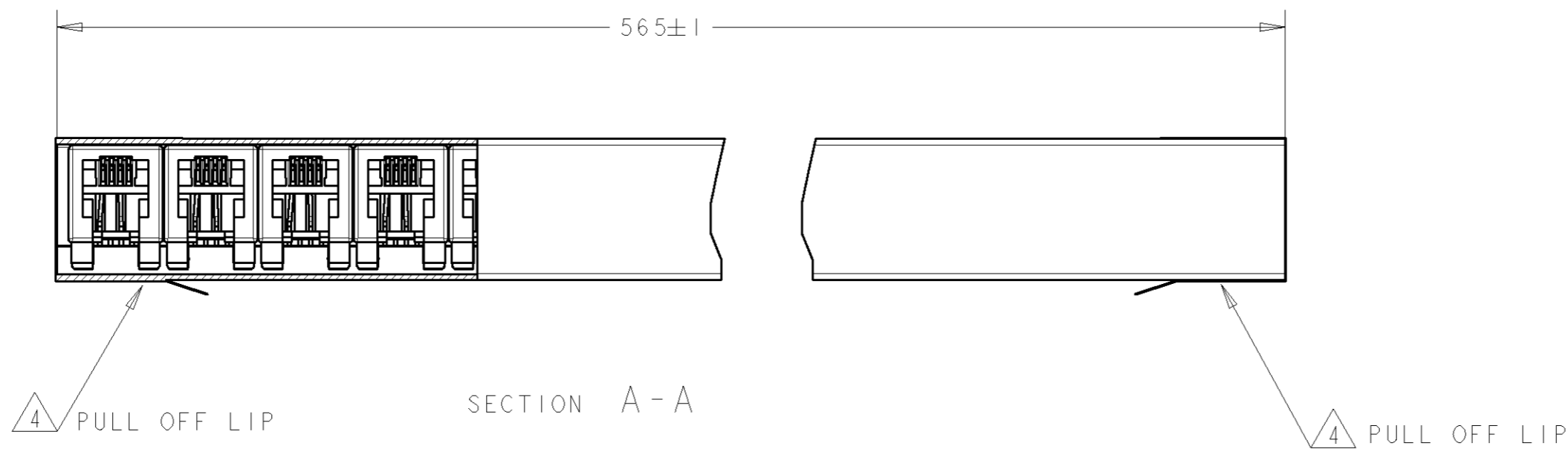
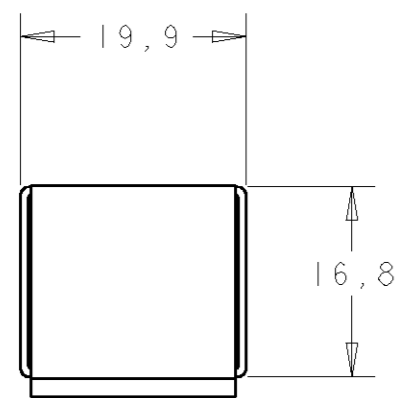
SCALE 4:1 SHEET 1 OF 2 REV U

LOC	DIST	REVISIONS			
H	-	LTR	DESCRIPTION	DATE	APVD
		--		--	--
		--		--	--
		--		--	--

SEE SHEET 1

NOTES:

- 4 TUBE IS TRANSPARANT PVC.
- 5 TUBE IS CLOSED AT BOTH ENDS BY A TAPE.



SECTION A - A

ON THIS SHEET PACKAGING IS SHOWN FOR 3-215877-3

<small>THIS DRAWING IS A CONTROLLED DOCUMENT FOR Tyco Electronics Nederland B.V. IT IS SUBJECT TO CHANGE AND THE CONTROLLING ENGINEERING ORGANIZATION SHOULD BE CONTACTED FOR THE LATEST REVISION.</small>		DWN	EvEIJK	<b>Tyco Electronics Nederland B.V.</b> <small>'s-HERTOGENBOSCH, THE NETHERLANDS</small>
		CHK	M.vESSEN	
DIMENSIONS: mm 		APVD	R. SMEETS	
		<small>TOLERANCES UNLESS OTHERWISE SPECIFIED:</small> 0 PLC ± - 1 PLC ± - 2 PLC ± - 3 PLC ± - 4 PLC ± - ANGLES ± 0.2° FINISH -		
MATERIAL	-	PRODUCT SPEC	-	NAME
		APPLICATION SPEC	-	SIZE
		WEIGHT	-	CAGE CODE
				DRAWING NO
				A2 00779 © 215875
				SCALE 4:1 SHEET 2 OF 2 REV U