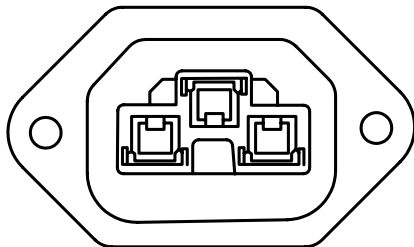
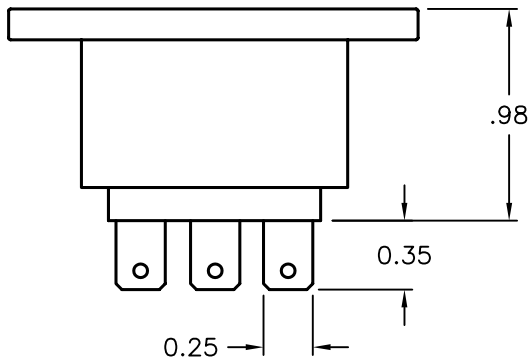
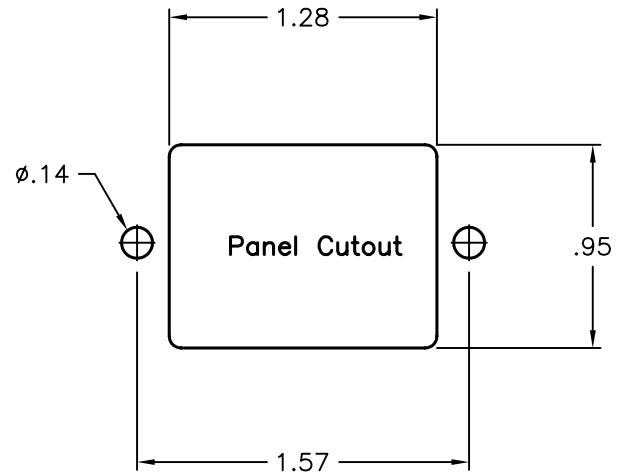
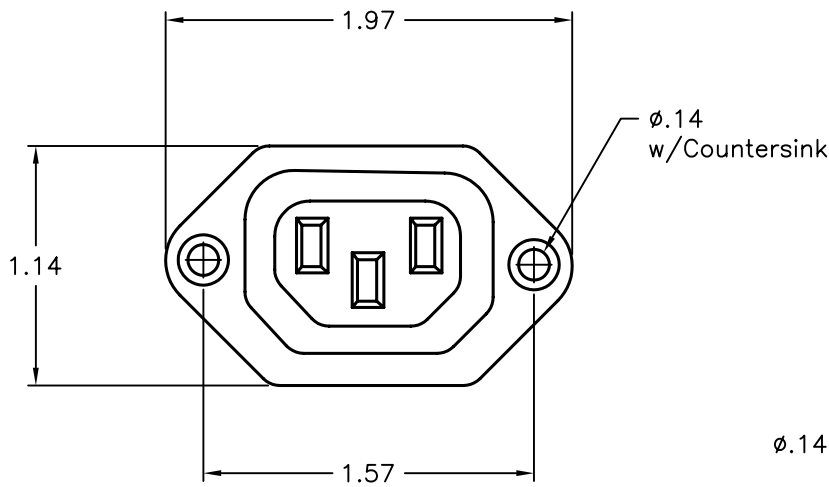


DCP #	REV	DESCRIPTION	DRAWN	DATE	CHECKD	DATE	APPRVD	DATE
1269	A	RELEASED	JWM	12/2/02	HO	12/2/02	DJC	12/2/02
1811	B	RoHS ADDED	DCM	12/22/05	JWM	12/22/05	JWM	12/22/05



Material:

Housing: Thermoplastic
Terminal: Copper Alloy

Characteristics:

Rating: 15A 250V AC
Insulation Resistance: Over 100 Ohm 500VDC
Dielectric Strength: 2000VAC One Minute

Approvals:

UL, CSA, VDE, SEMKO, DEMKO,
NEMKO, SETI, CB and SEV, FIMKO

SPC-F004.DWG

TOLERANCES: UNLESS OTHERWISE SPECIFIED, DIMENSIONS ARE FOR REFERENCE PURPOSES ONLY.	DRAWN BY:	DATE:	DRAWING TITLE:			
	Jeff McVicker	12/2/02	AC Power Outlet IEC 320 - C13			
	CHECKED BY:	DATE:	SIZE	DWG. NO.	ELECTRONIC FILE	REV
	Hisham Odish	12/2/02	A	2154	92N4157	B
APPROVED BY:	DATE:	SCALE: NTS		U.O.M.: INCHES [mm]		SHEET: 1 OF 1
Daniel Carey	12/2/02					