

Note: All part numbers
are RoHS Compliant.

Circular Plastic Connectors, Series 1, VDE Tested

**CPC Connectors, Series 1,
for Cable or Panel Mount**
(Accepts Type III+, High-
Current Power, Type II and
Subminiature Coax
Contacts)



- Designed to meet requirements of VDE as shown in DIN Specification 57627
- Recognized under the Component Program of Underwriters Laboratories Inc. for 600 VAC and 600 VDC service, File No. E28476
- Certified by Canadian Standards Association, File No. LR 7189

Listed part numbers are for connectors only; **contacts must be ordered separately.**

Material

Housing—Thermoplastic, 94V-0 rated, black

Related Product Data

Contacts—Pages 17-23

Contact Arrangement—Page 24

Component Dimensions—Page 25*

Accessories—Pages 38-42, 52-54

Performance Characteristics—Page 6

Application Tooling—Pages 76-79

Technical Documents—Page 80

Replacement Coupling Rings

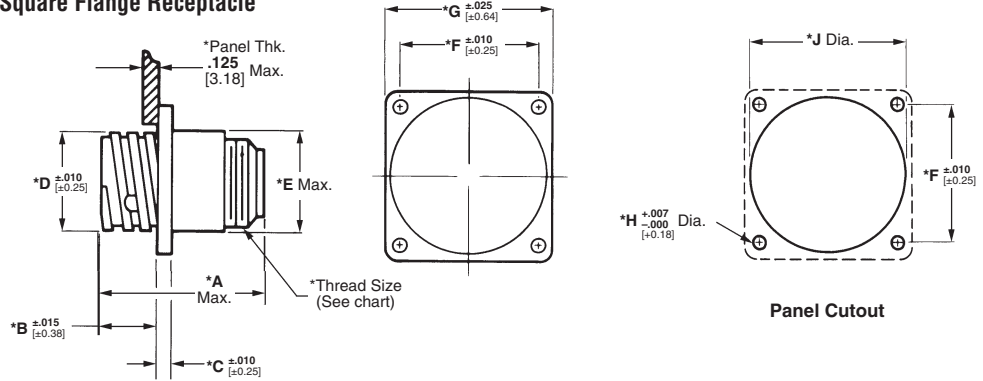
| Shell Size | Part No. |
|------------|----------|
| 13 | 213813-1 |
| 17 | 213810-1 |
| 23 | 213812-1 |

Keying

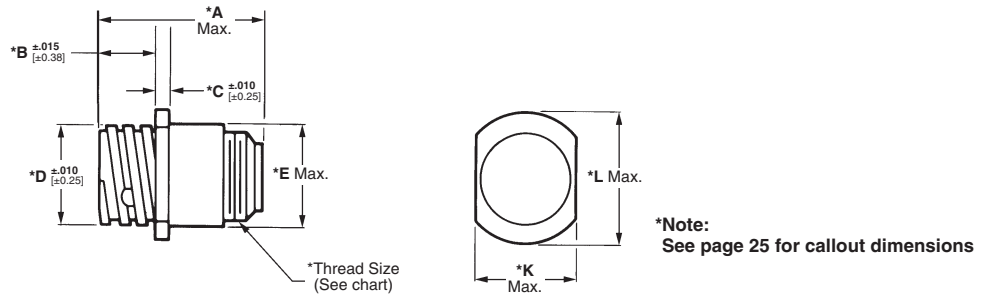
A—Standard Configuration: 5 Keys

B—Optional Configuration: 4 Keys

Square Flange Receptacle

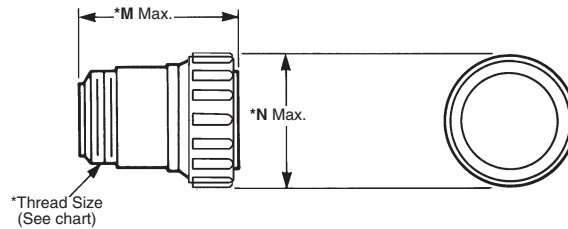


Free-Hanging Receptacle



***Note:**
See page 25 for callout dimensions

Plug



Standard Sex Connectors (Receptacles accept pin contacts, Plugs accept socket contacts)

| Arrangement | Shell Size | No. of Positions | Keying | Square Flange Receptacle | | Plug |
|-------------|------------|------------------|--------|------------------------------------|---------------------|----------|
| | | | | With Threaded Inserts ¹ | With Mounting Holes | |
| 13-7 | 13-7 | 7 | A | 211401-4 | 211401-1 | 211399-1 |
| | | | A | 211767-2 | 211767-1 | 211766-1 |
| 17-9 | 17-9 | 9 | A | 211771-2 | 211771-1 | 211770-2 |
| | | | B | — | 213870-1 | 213853-1 |

¹Four 4-40 threaded inserts per receptacle.

Reverse Sex Connectors (Receptacles accept socket contacts, Plugs accept pin contacts)

| Arrangement | Shell Size | No. of Positions | Keying | Square Flange Receptacle | | Free-Hanging Receptacle | Plug |
|-------------|------------|------------------|--------|------------------------------------|---------------------|-------------------------|----------|
| | | | | With Threaded Inserts ¹ | With Mounting Holes | | |
| 13-7 | 13-7 | 7 | A | 211398-4 | 211398-1 | 211398-2 | 211400-1 |
| | | | A | — | 211769-1 | 211769-3 | 211768-1 |
| 17-9 | 17-9 | 9 | B | — | 796439-2 | — | 796450-1 |
| | | | A | — | 211773-1 | — | 211772-1 |
| 23-19 | 23-19 | 19 | B | — | 213868-1 | — | 213852-1 |

¹Four 4-40 threaded inserts per receptacle.

Key Style "A" is the Standard 5 Locating Key arrangement. Key Style "B" is the 4 Locating Key arrangement.