



Connectors > Automotive Connectors > Seals & Cavity Plugs

Connector Seal Type: **Single Wire Seal (SWS)**Cavity Diameter: **3.6 mm [.142 in]**Accepts Cable Insulation Diameter Range: **2.2 – 2.4 mm [.087 – .094 in]**Seal Material: **Silicone**Resistance to Hydrocarbons: **Poor**

Features

Product Type Features

Connector Seal Type	Single Wire Seal (SWS)
---------------------	------------------------

Body Features

Seal Material	Silicone
---------------	----------

Primary Product Color	Orange
-----------------------	--------

Dimensions

Cavity Diameter	3.6 mm [.142 in]
-----------------	------------------

Accepts Cable Insulation Diameter Range	2.2 – 2.4 mm [.087 – .094 in]
---	-------------------------------

Usage Conditions

Operating Temperature (Max)	65 °C, 70 °C, 75 °C, 80 °C, 85 °C, 90 °C, 100 °C, 105 °C, 110 °C, 120 °C, 125 °C, 130 °C [149 °F][158 °F][167 °F][176 °F][185 °F][194 °F][212 °F][221 °F][230 °F][248 °F][257 °F][266 °F]
-----------------------------	--

Operating Temperature Range	-40 – 130 °C [-40 – 266 °F]
-----------------------------	-----------------------------

Industry Standards

UL Flammability Rating	None
------------------------	------

Other

Resistance to Hydrocarbons	Poor
----------------------------	------

Shore A Hardness	50
------------------	----

Contains Lubricant	Yes
--------------------	-----



Product Compliance

[For compliance documentation, visit the product page on TE.com>](#)

EU RoHS Directive 2011/65/EU	Compliant
EU ELV Directive 2000/53/EC	Out of Scope
China RoHS 2 Directive MIIT Order No 32, 2016	No Restricted Materials Above Threshold
EU REACH Regulation (EC) No. 1907/2006	Current ECHA Candidate List: JUL 2021 (219) Candidate List Declared Against: JUL 2021 (219) Does not contain REACH SVHC
Halogen Content	Low Halogen - Br, Cl, F, I < 900 ppm per homogenous material. Also BFR/CFR/PVC Free
Solder Process Capability	Not applicable for solder process capability

Product Compliance Disclaimer

This information is provided based on reasonable inquiry of our suppliers and represents our current actual knowledge based on the information they provided. This information is subject to change. The part numbers that TE has identified as EU RoHS compliant have a maximum concentration of 0.1% by weight in homogenous materials for lead, hexavalent chromium, mercury, PBB, PBDE, DBP, BBP, DEHP, DIBP, and 0.01% for cadmium, or qualify for an exemption to these limits as defined in the Annexes of Directive 2011/65/EU (RoHS2). Finished electrical and electronic equipment products will be CE marked as required by Directive 2011/65/EU. Components may not be CE marked. Additionally, the part numbers that TE has identified as EU ELV compliant have a maximum concentration of 0.1% by weight in homogenous materials for lead, hexavalent chromium, and mercury, and 0.01% for cadmium, or qualify for an exemption to these limits as defined in the Annexes of Directive 2000/53/EC (ELV). Regarding the REACH Regulation, the information TE provides on SVHC in articles for this part number is based on the latest European Chemicals Agency (ECHA) 'Guidance on requirements for substances in articles' posted at this URL: <https://echa.europa.eu/guidance-documents/guidance-on-reach>

Compatible Parts

 <p>TE Part # CAT-T4827-T273 TIMER, RECEPTACLE AND TAB</p>	 <p>TE Part # 8-1579018-1 INSERTION TOOL</p>	 <p>TE Part # 1-1897725-3 MT-2 SLD 10 CAP HSG GRY</p>	 <p>TE Part # 2-1897726-3 MT-2 SLD 10 PLUG ASSY GRY</p>
---	---	--	--

Also in the Series | [Micro Timer II](#)



Automotive Connector Caps & Covers (2)



Automotive Connector Locks & Position Assurance (3)



Automotive Housings (28)



Automotive Seals & Cavity Plugs (1)



Automotive Terminals (31)



Insertion & Extraction Tools (4)

Customers Also Bought



TE Part #1-1564532-1
15POS, MIXED, TAB HSG, ASSY



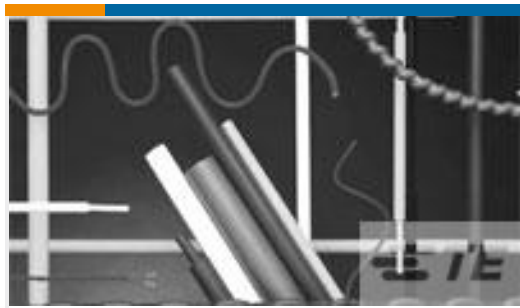
TE Part #2112297-1
PROTECTION CAP, GROUP E, ASSY



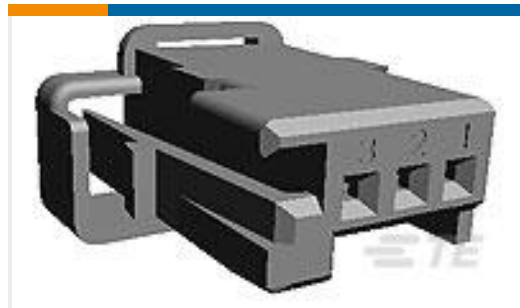
TE Part #1418884-1
AMP MCP 1.5K, CONTACT, SWS



TE Part #1703278-2
TIMER, RECEPTACLE AND TAB



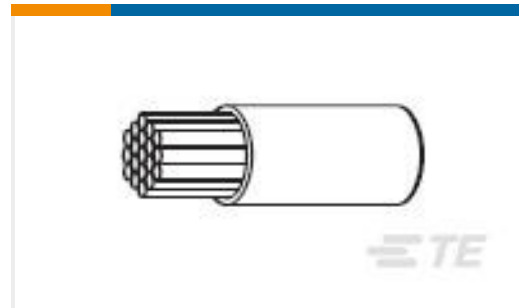
TE Part #2059124001
CGPT-9.5/4.8-2-FSP



TE Part #953697-4
3POS MQS REC



TE Part #963531-1
BLINDSTOPFEN



TE Part #5773073002
FLHTC0311-1.00-4



TE Part #CH35736001
QSAP-CROSS-7.0-0-8MM

Documents



Product Drawings

[SINGLE WIRE SEAL,MT 2,VT](#)

English

CAD Files

[3D PDF](#)

3D

Customer View Model

[ENG_CVM_CVM_2112323-1_A.2d_dxf.zip](#)

English

Customer View Model

[ENG_CVM_CVM_2112323-1_A.3d_igs.zip](#)

English

Customer View Model

[ENG_CVM_CVM_2112323-1_A.3d_stp.zip](#)

English

By downloading the CAD file I accept and agree to the [Terms and Conditions](#) of use.

Datasheets & Catalog Pages

[HDSCS Catalog](#)

English

[CONNECTOR SELECTOR](#)

English

Product Environmental Compliance

[Product Compliance](#)

English

[Product Compliance](#)

English