



**SCHROFF**

Project - 0 item(s)

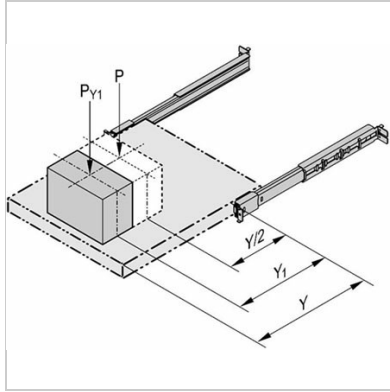
**MY PROJECT LIST**

- PRODUCTS
- APPLICATIONS
- INDUSTRIES
- NEW PRODUCTS
- CONFIGURATORS
- Products ▾
- Search

Home > Cabinet mounting kit, for universal telescopic slide 1 or 2 U, Novastar

# Cabinet mounting kit, for universal telescopic slide 1 or 2 U, Novastar

**SCHROFF**



**Catalog Number: 21120-160**

[Back To Product](#)

- Sufficient for the assembly of 2 Economy 1 U telescopic slides

**Note:**

To mount on 19" plane please order assembly kit separately Universal telescopic rails can also be fitted without additional components in non-standard applications, thus also in other than 19" cabinets

**Accessory category:**

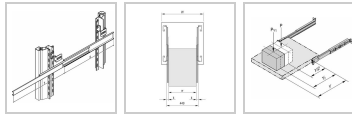
Mechanical Accessories

**Accessory type:**

Slide rails



Other Views



**Select product specifications before modifying or adding to project list or requesting a quote.**

Cabinet-Type-defining

Slide-Type-defining

Type-defining

[Clear Selection](#)

Quantity

**Add Item to Project List +**

## Technical Data

<b>Qty</b>	PU 2 pieces
<b>Material</b>	St
<b>Description</b>	For universal slide 1 or 2 U, Novastar

**Documents**

Main Catalog - Cabinet accessories mechanic, teleskop slides, electric, monitor, key boards

## Delivery Comprises:

Item	Quantity	Description
1	4	Bracket for uprights, St, 2,5 mm, zinc-plated
1	4	Bracket for telescopic slide, St, 2 mm, zinc-plated
1	1	Assembly kit

## Accessories

## Connect With Us

