

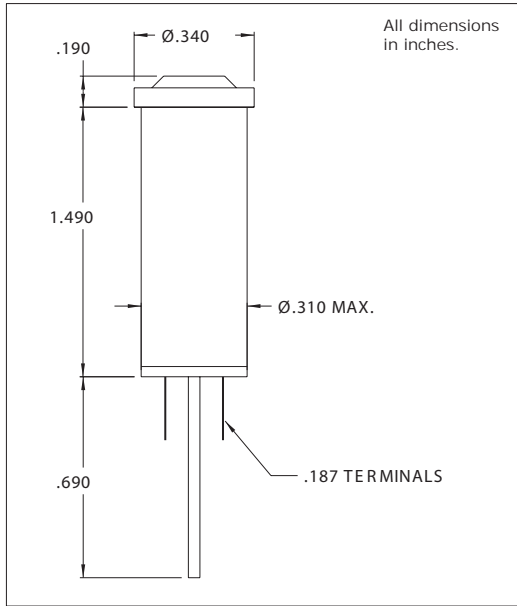
147 Central Avenue  
 Hackensack, New Jersey 07601  
 Tel: 201-489-8989 • Fax: 201-489-6911



**CHICAGO MINIATURE LAMP, INC.**  
 WHERE INNOVATION COMES TO LIGHT

**2110QA, 2111QA, 2112QA, 2113QA Series Non-Relampable Neon Indicator Lights**

**DESCRIPTION AND FEATURES**



Mounting: Ø.310 MIN., supplied with push-on speednut SN1287.

Terminals: Quick-connect, tinned brass, .187 x .020

Lens: Polycarbonate

Bezel: White nylon. For black finish add "X" after the series letter(s).

Housing: White Nylon

Lens Color	Incandescent	
	Model No. (105-125VAC)	Model No. (208-250VAC)
Red	2110QA1	2111QA1
Clear	2110QA2	2111QA2
Amber	2110QA3	2111QA3
White	2110QA4	2111QA4
Green	2112QA5*	2113QA5*
Lamp	C2A+Resistor	C2A+Resistor

\* Incorporates G2B lamp and resistor.  
 Underwriters Laboratories (UL) File No. E20325  
 Canadian Standards Association (CSA) File No. LR13346

*Chicago Miniature Lamp reserves the right to make specification revisions that enhance the design and/or performance of the product*