



**SCHROFF**

Project - 0 item(s)

MY PROJECT LIST

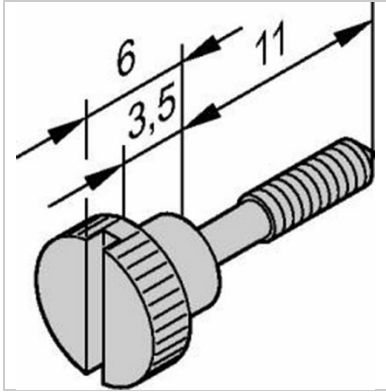
- PRODUCTS
- APPLICATIONS
- INDUSTRIES
- NEW PRODUCTS
- CONFIGURATORS
- Products ▾
- Search
- 🔍

Home > Collar screw, knurled head/slotted short (M2.5x11), brass nickel plated



## Collar screw, knurled head/slotted short (M2.5x11), brass nickel plated

**SCHROFF**



Catalog Number: 21101-106

[Back To Product](#)

- Collar screw
- Not for europacPRO or ratiopacPRO
- For use with T - threaded inserts
- For mounting partial width front panels

**Accessories:**

Collar screw

**Product family:**

Front Panels



Select product specifications before modifying or adding to project list or requesting a quote.

Qty-defining

Material-defining

Length-mm-defining

[Clear Selection](#)

Quantity

Add Item to Project List +

### Technical Data

Length mm	11.0
Material	Brass, nickel-plated
Dimension [mm]	M2.5 x 11
Qty	PU 100 pieces
Material	steel
Finish	nickel-plated
Description	with knurled head / slot

**EXPLORE**

- [About Us](#)
- [Services & Capabilities](#)
- [News & Events](#)
- [Newsletter Subscriptions](#)
- [Strategic Partnerships](#)
- [Investor Relations](#)

**CONTACT**

- [Customer Service](#)
- [Find a Sales Office or Distributor](#)
- [Global Locations](#)
- [Product Compliance & Certifications](#)
- [Partner Login](#)

**DOWNLOAD**

- [Download Center](#)
- [Reference Projects](#)
- [Videos](#)
- [Product Configurators](#)
- [Warranties and Terms of Sale & Procurement](#)

Connect With Us

