

1559-1610 MHz GNSS EMBEDDED CHIP ANTENNA

Part Numbers: 2108824-1

FEATURES & BENEFITS

- L1+G1 bands for GNSS
- Embedded Ceramic Chip Antenna
- On Board SMD Antenna
- Available in tape & reel
- The following data is based on 80 x 40 mm ground size

SPECIFICATIONS

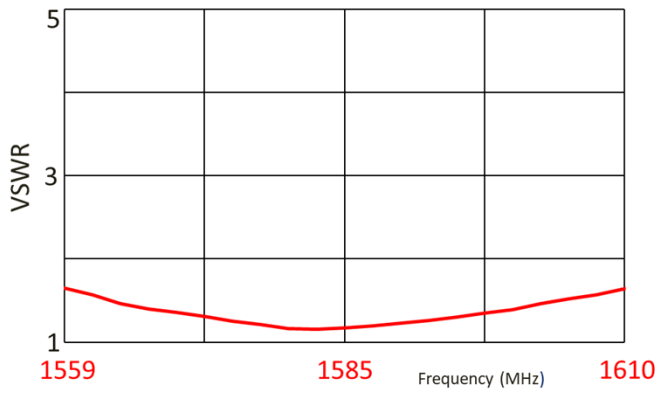
Frequency Range (MHz)	1559-1610
VSWR	< 1.7:1
Average Efficiency	80%
Peak Gain	2.9 dBi
Average Gain	-1.0dBi
Feed Point Impedance	50 ohms
Polarization	Linear
Size	10.0 mm x 3.0 mm x 1.5 mm
Weight	< 0.11 g
Mounting	Surface mount
Mating Connector	N/A
Cable	N/A
Operating Temperature	-40 to +85°C
Storage Temperature	-40 to +85°C
Hazardous Materials	A certificate of conformance is available from the product page on TE website.

1559-1610 MHz GNSS EMBEDDED CHIP ANTENNA

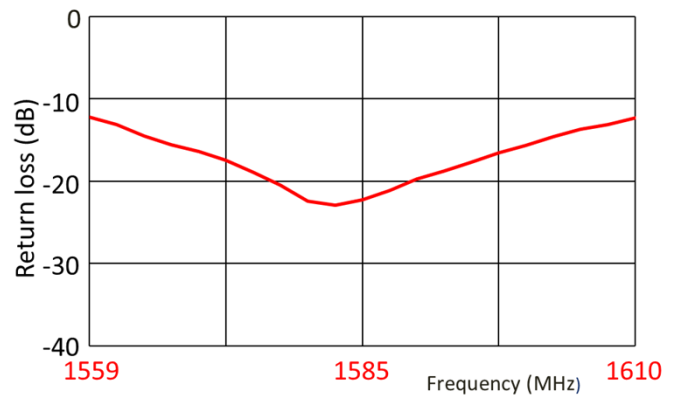
Standard Antenna Solutions

RF DATA

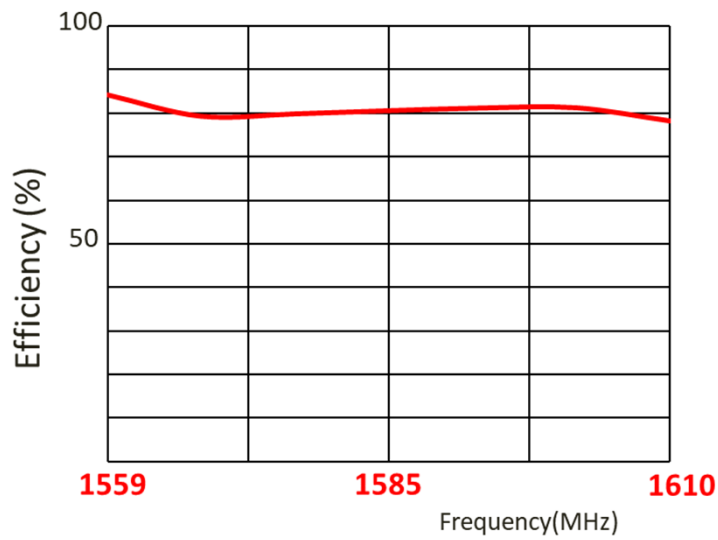
VSWR



Return Loss

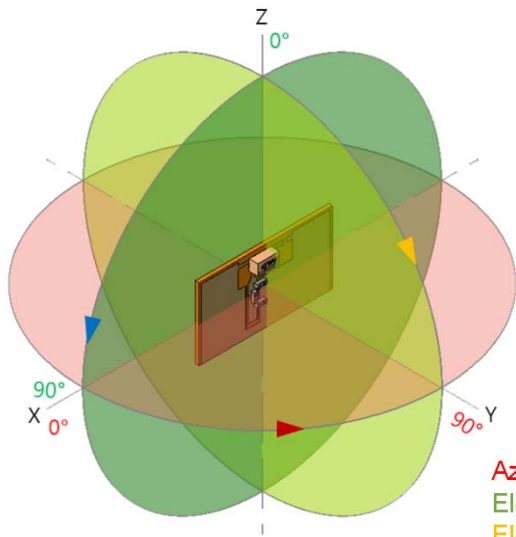


Efficiency



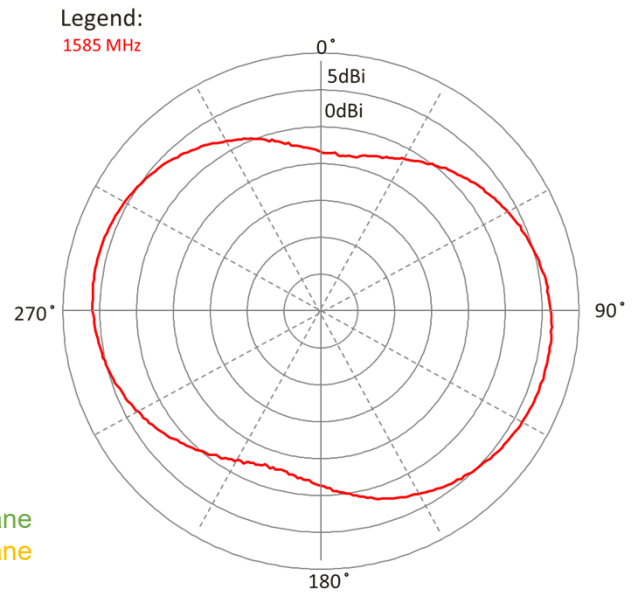
RADIATION PATTERN

Test setup

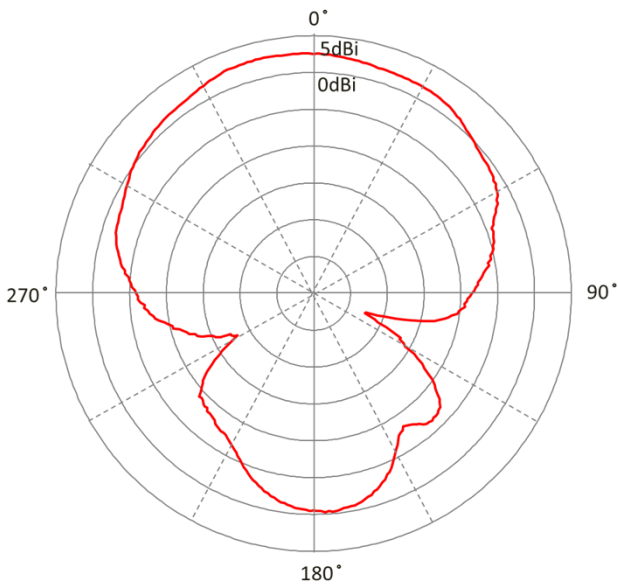


Azimuth Plane
Elevation 1 Plane
Elevation 2 Plane

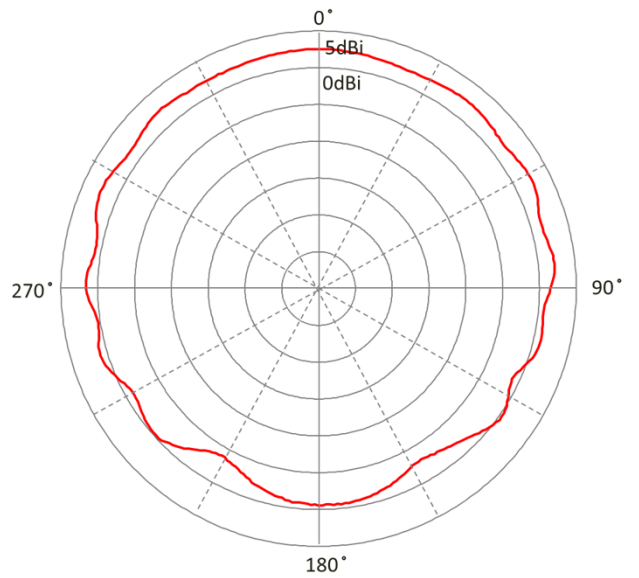
Azimuth



Elevation 1



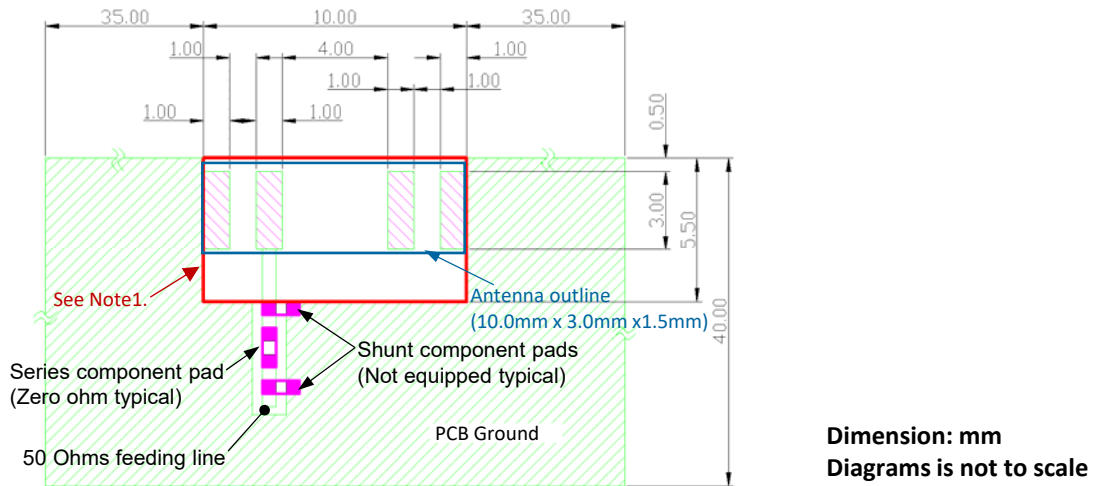
Elevation 2




1559-1610 MHz GNSS EMBEDDED CHIP ANTENNA

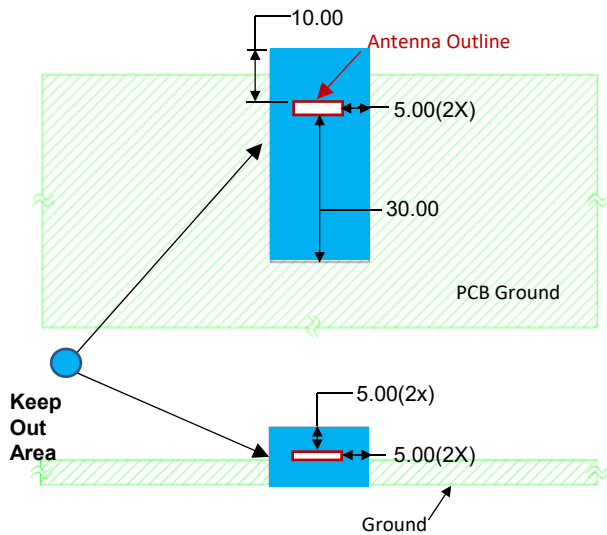
Standard Antenna Solutions

MOUNTING GUIDE

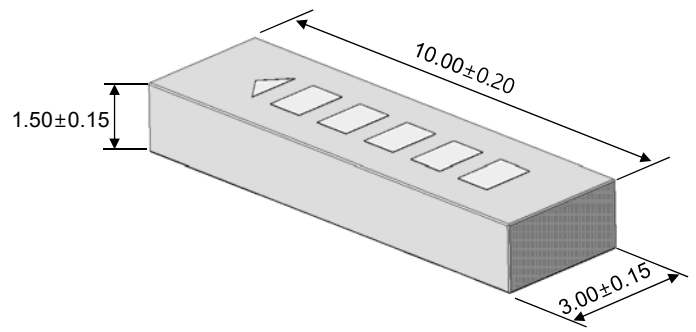


- NOTES: 1. No copper allowed in designated area on all PCB layers – 
2. Measured with above matching circuit condition.
3. For more information please call TE.

KEEP OUT AREA



DIMENSIONS

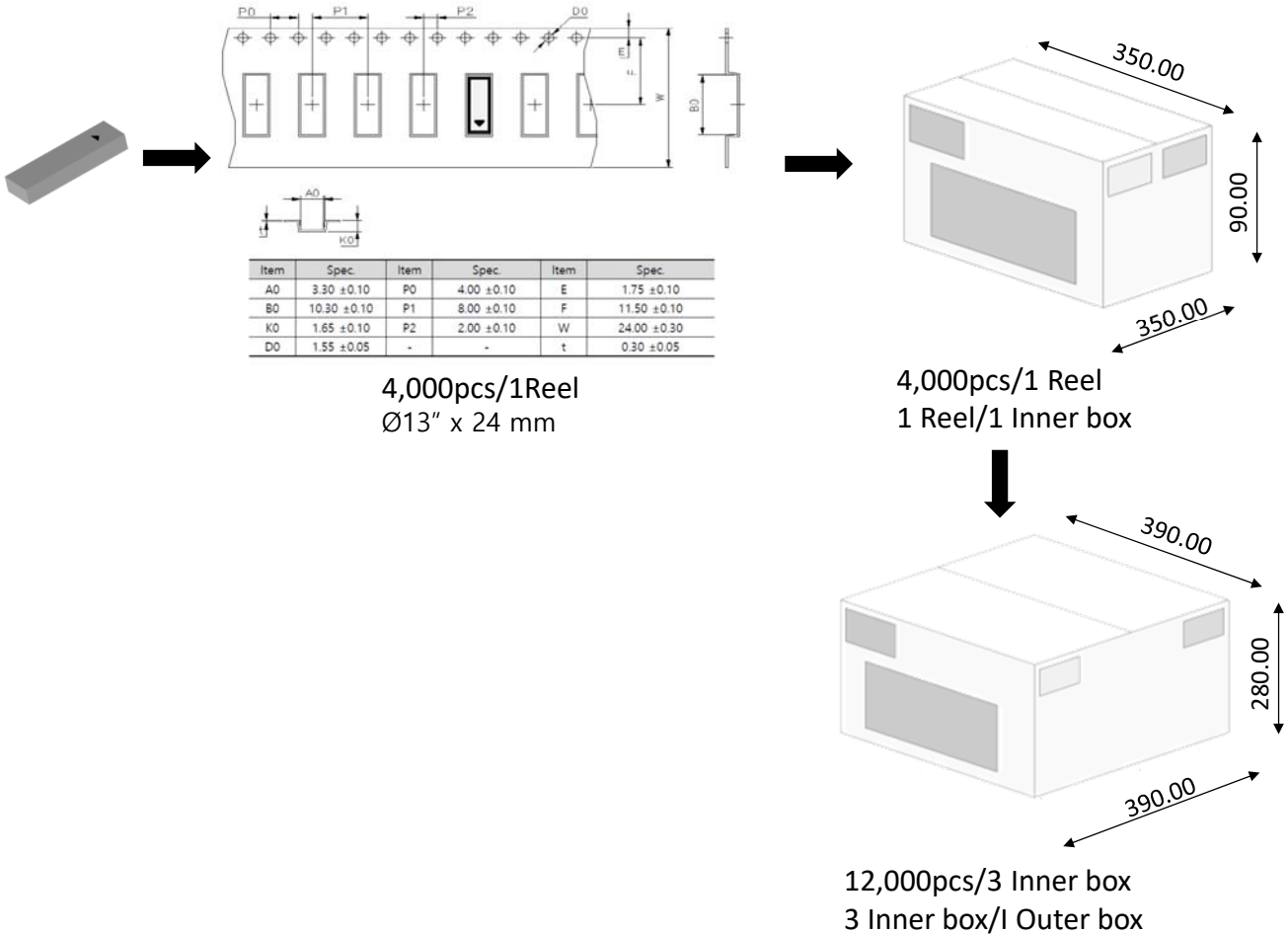


Dimension: mm
Diagrams is not to scale

1559-1610 MHz GNSS EMBEDDED CHIP ANTENNA

Standard Antenna Solutions

PACKAGING



TE TECHNICAL SUPPORT CENTER

- USA: +1 (800) 522-6752
- Canada: +1 (905) 475-6222
- Mexico: +52 (0) 55-1106-0800
- Latin/S. America: +54 (0) 11-4733-2200
- Germany: +49 (0) 6251-133-1999
- UK: +44 (0) 800-267666
- France: +33 (0) 1-3420-8686
- Netherlands: +31 (0) 73-6246-999
- China: +86 (0) 400-820-6015

For phone numbers in other countries, go to te.com/support-center

te.com

TE Connectivity, TE Connectivity (logo) are trademarks. All other logos, products and/or company names referred to herein might be trademarks of their respective owners.

The information given herein, including drawings, illustrations and schematics which are intended for illustration purposes only, is believed to be reliable. However, TE Connectivity makes no warranties as to its accuracy or completeness and disclaims any liability in connection with its use. TE Connectivity's obligations shall only be as set forth in TE Connectivity's Standard Terms and Conditions of Sale for this product and in no case will TE Connectivity be liable for any incidental, indirect or consequential damages arising out of the sale, resale, use or misuse of the product. Users of TE Connectivity products should make their own evaluation to determine the suitability of each such product for the specific application.

© 2020 TE Connectivity Ltd. family of companies All Rights Reserved.

05/2021