



276F

276

SERIES 35 AMP POWER RELAY

FEATURES

- 35 Amps Switching on all Contacts thru a DPDT Configuration
- Coil Molded in DuPont Rynite®, Providing Class F Temperature Insulation
- Low Cost Alternative to Small Contactors

CONTACT DATA

CONFIGURATION:

Thru DPDT, Including SPST-NO-DM, SPST-NC-DB and DMDB

MATERIALS:

All Contacts 1/4" Silver Cadmium Oxide

CONTACT RATINGS

MODEL	POLE CONFIG.	UL RATINGS
276F 276P 276T	SPST-NO SPST-NC SPDT DPST-NO DPST-NC DPDT DMDB	35 amp at 277VAC 30 amp at 300VAC 15 amp at 600VAC 25 amp at 28VDC 1 HP at 120VAC 2 HP at 240/277VAC 3 HP at 480VAC 17 FLA, 60 LRA at 300VAC 25 FLA, 125 LRA at 240/277 VAC 35 FLA, 100 LRA at 240/277 VAC Heavy Pilot Duty, 600VAC 20 amp at 277VAC Ballast 20 amp at 480VAC Ballast
	SPST-NO-DM SPST-NC-DB	35 amp at 300VAC 15 amp at 600VAC 35 amp at 28VDC 5 amp at 125VDC 1 HP at 120VAC 2 HP at 240/277VAC 3 HP at 480VAC 17 FLA, 60 LRA at 300VAC 25 FLA, 125 LRA at 240/277 VAC 35 FLA, 100 LRA at 240/277 VAC Heavy Pilot Duty, 600VAC 20 amp at 277VAC Ballast 20 amp at 480VAC Ballast
SEMKO RATINGS		
276F 276P 276T	SPST-NO SPST-NC SPDT DPST-NO DPST-NC DPDT DMDB SPST-NO-DM SPST-NC-DB	35 amp at 250VAC, 50 Hz AC-1

MODELS

- 276F:** Flange Cover
- 276T:** Top Mount Cover
- 276P:** P-Printed Circuit Pins
Other Suffixes Available



Model 276 F, P, T

COIL DATA

	NOMINAL VOLTAGE	RESISTANCE IN OHMS ± 10%	NOMINAL COIL POWER
DC Coils	6VDC	20	1.8W
	12VDC	80	
	24VDC	315	
	48VDC	1300	
	110VDC 125VDC	6800 8700	

Coil

Voltagess: USA/Canada European
DC: Up to 125 Volts Up to 125 Volts

Coil Treatment: Molded Rynite® Std. Class F

Insulation Resistance: 100 Megohms Minimum

UL Insulation System File No.: E74443

S155D 155°C Total Temperature Std.

(Covers S105 Class A and S130D Class B Requirements)

OPERATE DATA

Pick Up (at 25°C): DC Volts 75% or Less of Nominal

Operate Time: Approx. 15 Milliseconds

Release Time: Approx. 15 Milliseconds

ENVIRONMENTAL DATA

Operating Ambient: DC: -45° to 80°C

Coil Temperature Rise: (25°C Ambient – Continuous Duty)
DC: 40°C Approx.

EXPECTED LIFE

Electrical At Rated Load (Minimum)

100,000 Operations

Mechanical Life

10,000,000 Operations

DIELECTRIC STRENGTH

1200 VRMS, 60 Hz Between Contacts

2200 VRMS, 60 Hz Between Other Elements

MECHANICAL DATA

Terminals: All Versions (Except P Suffix)

.250" x .032" Quick Connect/Solder

P Suffix Version Printed Circuit Pins

Cover: Clear Polycarbonate - Flammability Rating 94V2

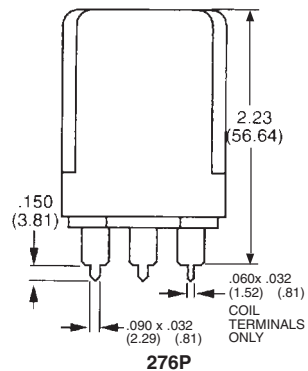
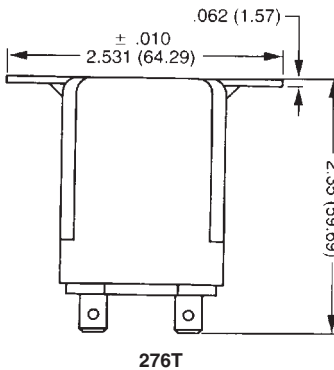
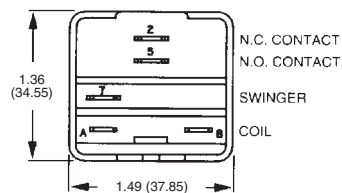
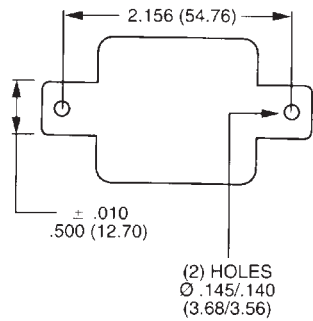
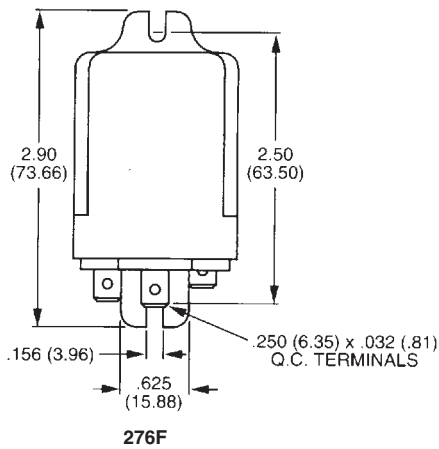
Weight: Approx. 3 oz. (85 g)

UL RECOGNIZED FILE NO.: E37066

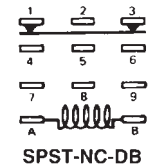
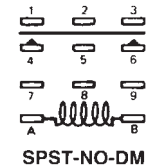
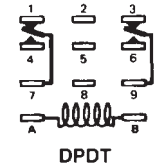
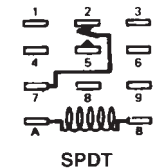
US and Canadian Recognition

SEMKO CERTIFICATE NO.: 0140232/01 Model 276 F, P, T

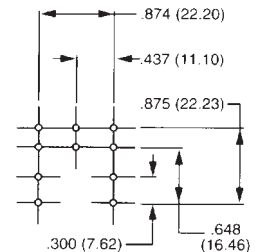
DIMENSIONS [Unit Inch (mm)]



SCHEMATICS



PC BOARD LAYOUT - ALL PINS SHOWN.
SELECT THOSE REQUIRED BASED ON
SCHEMATIC FOR POLE CONFIGURATION
UTILIZED. RECOMMENDED HOLE SIZES
.078 (1.98) FOR COIL (A&B)
.109 (2.77) FOR OTHERS (1-9)



ORDERING INFORMATION

35 AMP Part Numbers

DC Coils							
MODEL	POLE CONFIG.	6VDC	12VDC	24VDC	48VDC	110VDC	125VDC
276F	SPST-NO	21062-80	21062-81	21062-82	21062-83	21062-84	21062-85
	SPST-NC	21063-80	21063-81	21063-82	21063-83	21063-84	21063-85
	SPDT	21064-80	21064-81	21064-82	21064-83	21064-84	21064-85
	DPST-NO	21065-80	21065-81	21065-82	21065-83	21065-84	21065-85
	DPST-NC	21066-80	21066-81	21066-82	21066-83	21066-84	21066-85
	DPDT	21067-80	21067-81	21067-82	21067-83	21067-84	21067-85
276T	SPST-NO	21068-80	21068-81	21068-82	21068-83	21068-84	21068-85
	SPST-NC	21069-80	21069-81	21069-82	21069-83	21069-84	21069-85
	SPDT	21070-80	21070-81	21070-82	21070-83	21070-84	21070-85
	DPST-NO	21071-80	21071-81	21071-82	21071-83	21071-84	21071-85
	DPST-NC	21072-80	21072-81	21072-82	21072-83	21072-84	21072-85
	DPDT	21073-80	21073-81	21073-82	21073-83	21073-84	21073-85
276P	SPST-NO	21074-80	21074-81	21074-82	21074-83	21074-84	21074-85
	SPST-NC	21075-80	21075-81	21075-82	21075-83	21075-84	21075-85
	SPDT	21076-80	21076-81	21076-82	21076-83	21076-84	21076-85
	DPST-NO	21077-80	21077-81	21077-82	21077-83	21077-84	21077-85
	DPST-NC	21078-80	21078-81	21078-82	21078-83	21078-84	21078-85
	DPDT	21079-80	21079-81	21079-82	21079-83	21079-84	21079-85