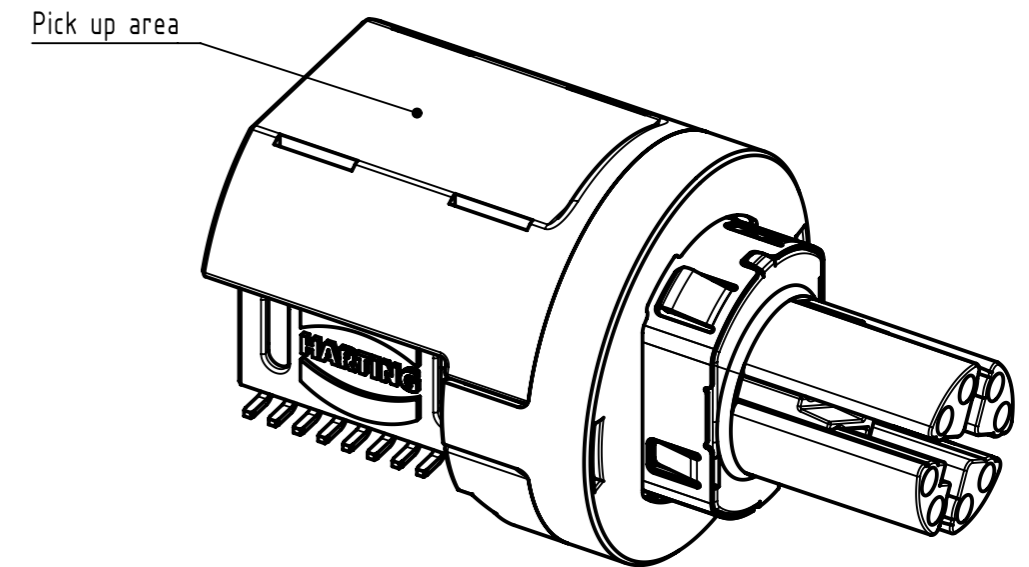
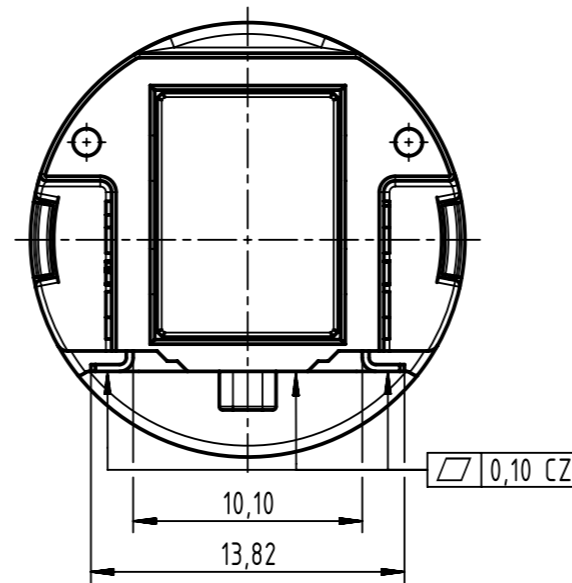
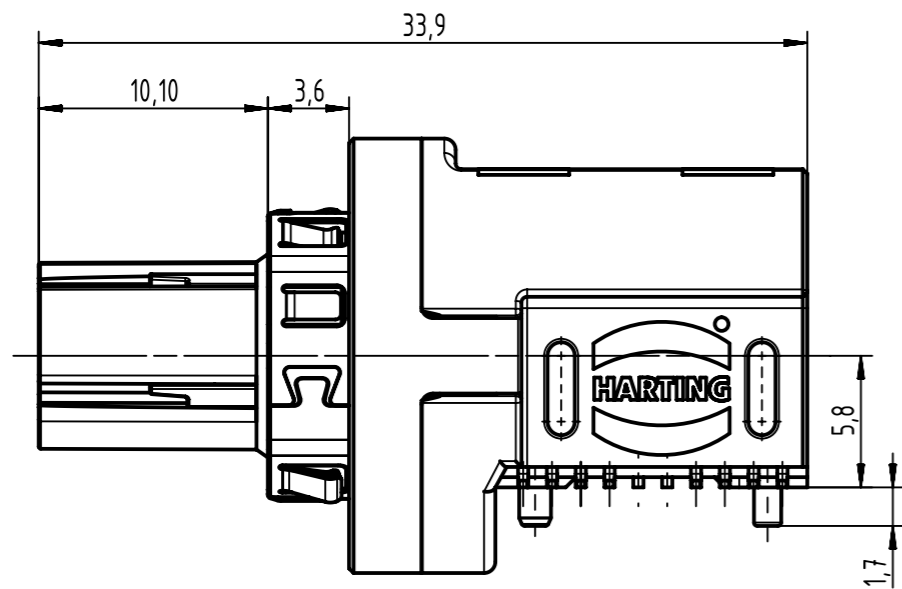
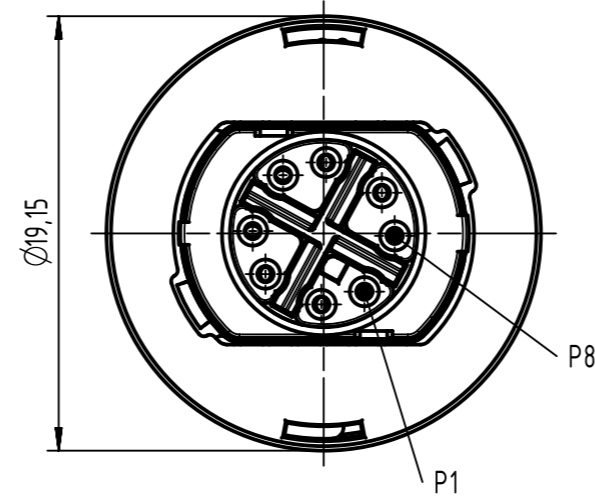


mating face based on
IEC 61076-2-109



Further information see data sheet: 21033810203

	All Dimensions in mm Original Size DIN A3		Scale 2:1	Free size tol.		Ref.
						Sub.
	All rights reserved Department EC PD - CN		Created by CHENSK	Inspected by CHENSK	Standardisation HOFFMANN	Date 2017-05-24
			Title M12 transformer recept X-coded 10G angled w/o PoE			State Approved
HARTING Electronics GmbH D-32339 Espelkamp		Type TB	Number 21033814823		Doc-Key / ECM-Nr. 100696830/UGD/002/B 500000117439	Rev. B Page 1/1