



SCHROFF

Project - 0 item(s)

MY PROJECT LIST

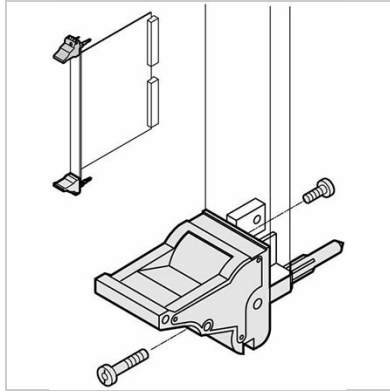
- [PRODUCTS](#)
- [APPLICATIONS](#)
- [INDUSTRIES](#)
- [NEW PRODUCTS](#)
- [CONFIGURATORS](#)
- Products ▾
- Search
-

Home > Inserter/extractor handle, type IEL, black, top (Rear I/O bottom)



Inserter/extractor handle, type IEL, black, top (Rear I/O bottom)

SCHROFF



Catalog Number: 20817-614

[Back To Product](#)

- suitable for fitting of microswitches
- suitable for insertion and extraction forces up to 700 N (per pair)
- in accordance with IEEE 1101.10 and IEC 60297-3-102
- panhead screw with Torx, M2.5 x 7, St, nickel-plated
- slotted Pozidrive collar screw, M2.5 x 12.3, St, nickel-plated
- lever/key UL 94 V-0
- codable to IEEE 1101.10 and IEC 60297-3-103
- block die-cast zinc, nickel plated
- with locking
- with integrated alignment pin for perforated strip

Specification:

- IEC 60297-3-102
- IEEE 1101.10
- IEC 60297-3-103

Handle:

IEL

Type:

Individual Components

Standard:

- VME64x
- CompactPCI

Individual Component Type:

Handle

Delivery Includes:

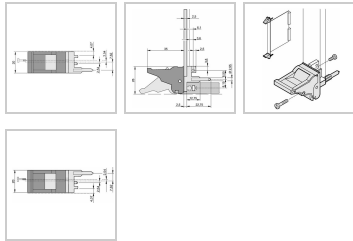
assembled

Product family:

Plug-in units



Other Views



Select product specifications before modifying or adding to project list or requesting a quote.

Version-defining

Qty-defining

[Clear Selection](#)

Quantity

Modify Product ▶

Add Item to Project List +

Documents

- User manual, coding IEEE
- Main Catalog - Plug-in units

Links

- Native CAD files

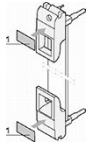
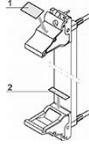

Technical Data

Qty	PU 10 pieces
Material	Plastic Lever, die-cast zinc base, UL 94 V-0
Finish	Lever: black, RAL 9005 Key: light grey, RAL 7035
Configuration	3 U Bottom Rear IO / 6 U Top Front / 6 U Bottom

Delivery Comprises:

Item	Quantity	Description
1	1	Zn die-cast with integrated alignment pin for perforated strip and IEEE 1101.10 guide rail
2	1	Lever, plastic PC, UL 94 V-0
3	1	Key, plastic PC, UL 94 V-0
4	1	Pozidrive collar screw, M2.5 × 12.3, St, nickel-plated
5	1	Pan head screw with Torx, M2.5 × 7, St, nickel-plated

Accessories

	Label strips for IEL/IET handle, white, sheet with 210pcs (19x9,5), PU 1 pcs	60817-340	Add Item to Project List +
	Label strips for IEL handle, white, sheet with 320pcs (19x4,8), PU 1 pcs	60817-341	Add Item to Project List +
	Microswitch for IEL/IET handle, PU 10 pcs	20817-606	Add Item to Project List +

EXPLORE

[About Us](#)
[Services & Capabilities](#)
[News & Events](#)
[Newsletter Subscriptions](#)
[Strategic Partnerships](#)
[Investor Relations](#)

CONTACT

[Customer Service](#)
[Find a Sales Office or Distributor](#)
[Global Locations](#)
[Product Compliance & Certifications](#)
[Partner Login](#)

DOWNLOAD

[Download Center](#)
[Reference Projects](#)
[Videos](#)
[Product Configurators](#)
[Warranties and Terms of Sale & Procurement](#)

Connect With Us

