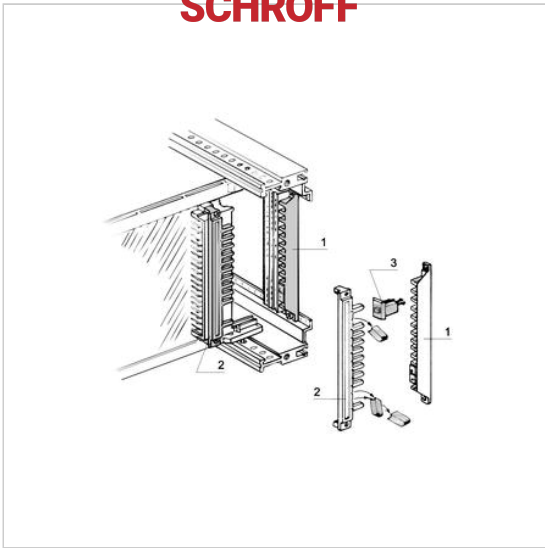


**SCHROFF****SCHROFF**

## Coding Peg

Catalog Number: 20800-078

- Coding Peg item 3 in diagram
- 924 keying/coding possibilities if 6 keying/coding pins are used



### Description

---

We use cookies to personalize content and ads, to provide social media features and to analyze our traffic. We also share information about your use of our site with our social media, advertising and analytics partners. [Cookie Policy](#).

[> Cookie Settings](#)[✓ Accept Cookies](#)

## Technical Data

---

No Items available.

We use cookies to personalize content and ads, to provide social media features and to analyze our traffic. We also share information about your use of our site with our social media, advertising and analytics partners. [Cookie Policy](#).

[> Cookie Settings](#)

[Accept Cookies](#)

## Documents

---



Main Catalog - Cabinet accessories mechanic, teleskop slides, electric, monitor, key boards

We use cookies to personalize content and ads, to provide social media features and to analyze our traffic. We also share information about your use of our site with our social media, advertising and analytics partners. [Cookie Policy](#).

[> Cookie Settings](#)

[✓ Accept Cookies](#)

No accessories available.

We use cookies to personalize content and ads, to provide social media features and to analyze our traffic. We also share information about your use of our site with our social media, advertising and analytics partners. [Cookie Policy](#).

[> Cookie Settings](#)

[✓ Accept Cookies](#)