



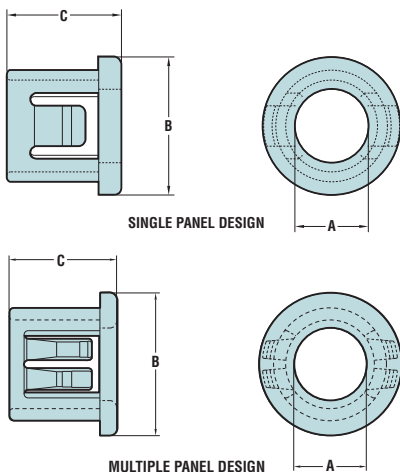
# Heyco® Snap Bushings

Mounting Hole Diameter Range: .250" (6,4 mm) to .875" (22,2 mm)

- Converts raw-edged holes to smooth, neat, insulated holes.
- Insulates and mechanically protects electrical and telecommunications cables, tubing, hose, rope, and utility lines.
- Locking fingers snap into holes with fingertip pressure.
- Locking fingers in fractional increments up to the maximum panel thickness.
- Withstands a push back force of 35 pounds.
- Available in multiple sizes for use in .250" (6,4 mm) to 6.00" (152,4 mm) diameter holes.
- We offer the following brass-colored parts for lamp and lighting applications:  
Part No. 2012, SB 312-3 Brass  
Part No. 2033, SB 375-4 Brass  
Part No. 2041, SB 437-4 Brass

MOUNTING HOLE DIAMETER		PART NO.		DESCRIPTION	PART DIMENSIONS					
in.	mm.	Black	White		A Inside Diameter		B Head Diameter		C Overall Height	
					in.	mm.	in.	mm.	in.	mm.
<b>Single Locking Step for Panel Thickness up to .040" (1,0 mm)</b>										
.250	6,4	2003	2004	SB 250-040	.125	3,2	.312	7,9	.312	7,9
<b>Single Locking Step for Panel Thickness up to .062" (1,6 mm)</b>										
.250	6,4	2000	2001	SB 250-2	.125	3,2	.312	7,9	.312	7,9
.312	7,9	2010	2011	SB 312-3	.187	4,8	.375	9,5	.312	7,9
<b>Multiple Locking Steps for Panel Thickness up to .125" (3,2 mm)</b>										
.375	9,5	2020	2021	SB 375-3	.187	4,8	.468	11,9	.406	10,3
		2030	2031	SB 375-4	.250	6,4				
.437	11,1	2042	2037	SB 437-243	.243	6,2	.531	13,5	.406	10,3
		2038	2039	SB 437-4	.270	6,8				
		2043	2044	SB 437-5	.312	7,9				
.500	12,7	2058	2059	SB 500-4	.250	6,4	.570	14,5	.406	10,3
		2049	2050	SB 500-5	.312	7,9				
		2053	2054	SB 500-6	.391	9,9				
.562	14,3	2060	2061	SB 562-5	.312	7,9	.656	16,7	.406	10,3
		2063	2064	SB 562-6	.391	9,9				
		2066	2067	SB 562-7	.437	11,1				
.625	15,9	2075	2078	SB 625-4	.250	6,4	.718	18,2	.406	10,3
		2070	2071	SB 625-7	.440	11,1				
		2073	2074	SB 625-8	.500	12,7				
.687	17,4	2083	2084	SB 687-8	.500	12,7	.781	19,8	.406	10,3
		2086	2087	SB 687-9	.562	14,3				
.750	19,1	2090	2091	SB 750-6	.391	9,9	.850	21,6	.406	10,3
		2092	2099	SB 750-8	.500	12,7				
		2093	2094	SB 750-9	.562	14,3				
		2096	2097	SB 750-10	.609	15,5				
.812	20,6	2100	2101	SB 812-9	.562	14,3	.890	22,6	.406	10,3
		2103	2104	SB 812-10	.625	15,9				
.875	22,2	2110	2111	SB 875-6	.375	9,5	.953	24,2	.453	11,5
		2113	2114	SB 875-7	.437	11,1				
		2116	2117	SB 875-8	.500	12,7				
		2120	2121	SB 875-9	.562	14,3				
		2123	2124	SB 875-10	.625	15,9				
		2126	2127	SB 875-11	.687	17,5				

Standard colors black and white. Consult Heyco for other colors.



Quick Specs

Material Nylon 6/6  
 Certifications Recognized under the Component Program of Underwriters' Laboratories, File E15331  
 Certified by Canadian Standards Association, File 8919  
 Flammability Rating 94V-2  
 Material Temperature Index 257°F (125°C)–Maximum temperature on part not to exceed 221°F (105°C)