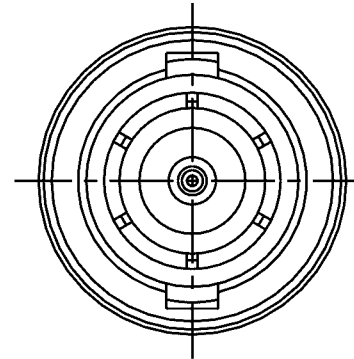
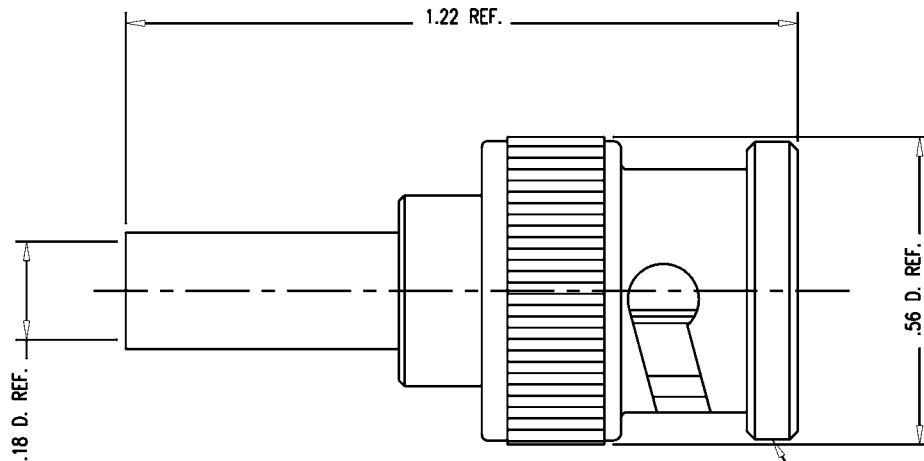


SD



NOTES:

1. FOR USE WITH COMMSCOPE 77538 & BELDEN 1855A & 1865A CABLES.
2. FOR CRIMPING USE DIE KTH-2025.
3. FOR CABLING INSTRUCTIONS SEE 3-661-1.
4. CENTER CONTACT, 1-6690-7MA9, AND K-GRIP SLEEVE 1-3983-1M06 SUPPLIED USASSEMBLED.
5. INTERFACE PER MIL-STD-348, FIG. 301-1 (AS APPLICABLE).
6. MATERIAL:
 - INSULATOR- TEFLON, ASTM-D-4894
 - GASKET- SILICONE RUBBER, ZZ-R-765
 - SPRING WASHER } BERYLLIUM COPPER, ASTM-B-196
 - OUTER CONTACT }
 - ALL OTHER METAL PARTS- BRASS, ASTM-B16
7. FINISHES:
 - CENTER CONTACT- GOLD PLATED, PER MIL-G-45204
 - SPRING WASHER- SILVER PLATED, PER QQ-S-365
 - ALL OTHER METAL PARTS- NICKEL PLATE PER QQ-N-290
8. ELECTRICAL CHARACTERISTICS:
 - NOMINAL IMPEDANCE- 75 OHMS
 - WORKING VOLTAGE- 500 VRMS
 - FREQUENCY RANGE- DC TO 3 GHz
9. MARK PACKAGE: KINGS 2065-11-9

STAMP: KINGS 2065-11-9
YRWK (DATE CODE)

REVISIONS

ISSUE	CHANGES
0	ER 37747 DCT 12/18/98
1	CN 37837 C TML 05/21/99
2	CN 37933 D TML 11/09/99
3	CN 37965 E DCT 02/29/00
4	CN 38011 D HVN 05/23/00
5	CN 38046 E DCT 7/10/00
6	CN 38144 C BDH 12/12/00
7	CN 38495 E TML 02/01/02

2065-11-9

SCALE 4:1

APPROX SURFACE AREA

WAS: E-19661

USED ON

REF:

PL, 75 BNC

DRAWN	VLS	DATE	06/12/98
DESIGN	VLS	DATE	06/12/98
APPR.	VLS	DATE	06/12/98

KINGS
ELECTRONICS CO., INC.
ROCK HILL, SOUTH CAROLINA 29730

2065-11-9

SD