

### Hardware (Continued)

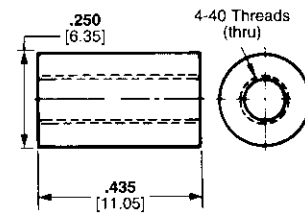
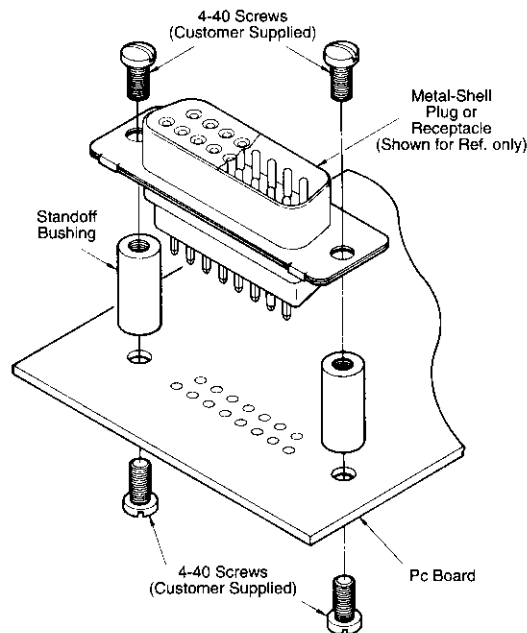
#### Standoff Bushings

**Material:**

Aluminum

**Related Product Data:**

Connectors used with:  
**HD Straight Posted**—  
pages 81-90, 92-94



**Kit Numbers:**

- 205933-3** (two bushings per package)
- 205933-4** (bulk packed)\*

\*Parts are individually bulk packed for multiple part orders.

#### Keying Plug (for Size 20 Socket Contacts)

**Material:**

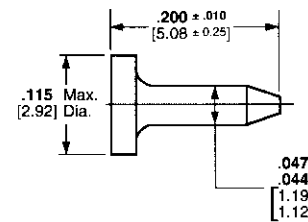
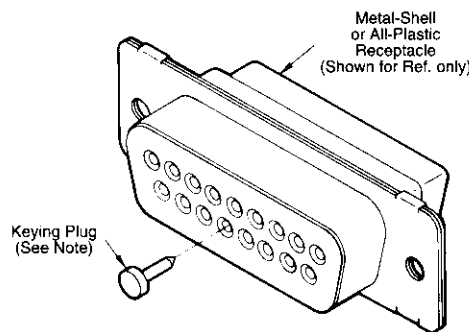
Polyphenylene oxide

**Related Product Data:**

Connectors used with:  
**All HDE, HDP and HD Receptacles with Socket Contacts**

#### Keying Plug

**499712-1 AMP-LATCH (electrical connectors) can be used on HD22 Socket Contacts**



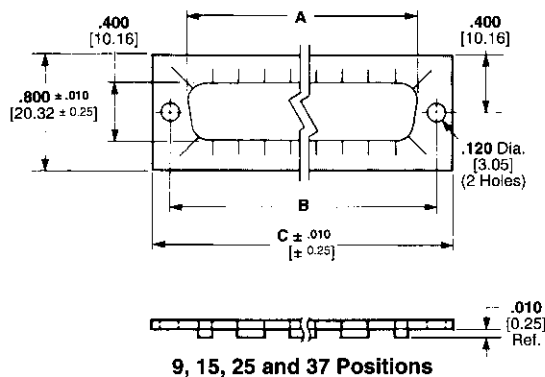
**Part Number: 206509-1**

- Notes:**
1. Keying plug is installed taper-end first into front of receptacle.
  2. Sold individually.

#### EMI/RFI Gaskets

**Material and Finish:**

Brass, .006 [0.15] thick; bright tin plated



9, 15, 25 and 37 Positions

Shell Size (No. of Contact Pos.)	Dimensions			Gasket Part No.
	A	B	C	
1 (9)	.746 18.95	.984 24.99	1.220 30.99	747024-3
2 (15)	1.074 27.28	1.312 33.32	1.555 39.50	747025-3
3 (25)	1.614 41.00	1.852 47.04	2.100 53.34	745776-3
4 (37)	2.266 57.56	2.500 63.50	2.730 69.34	745777-3