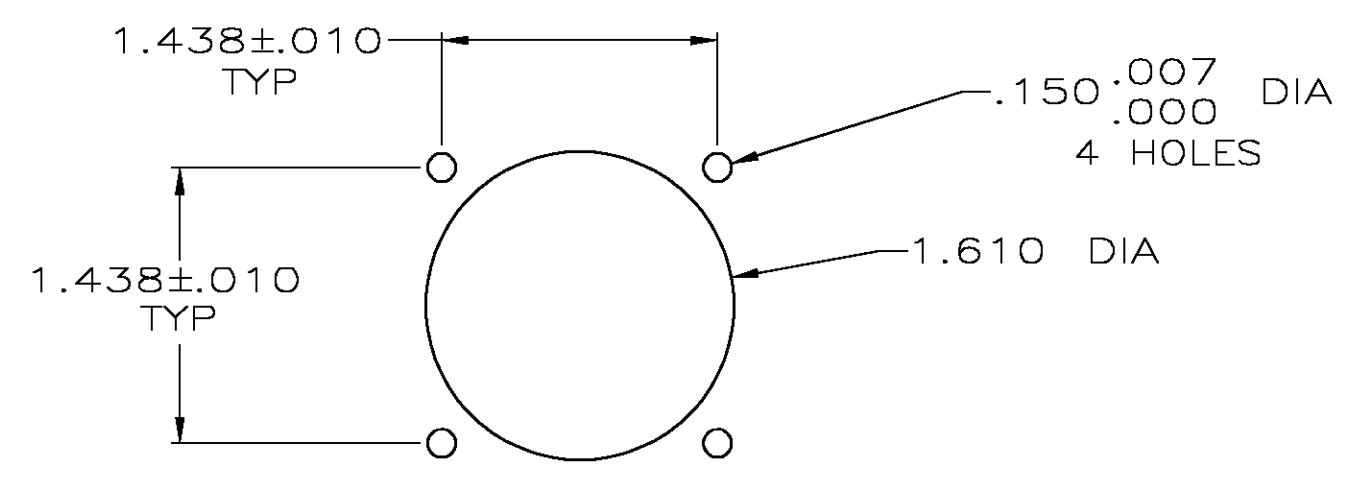
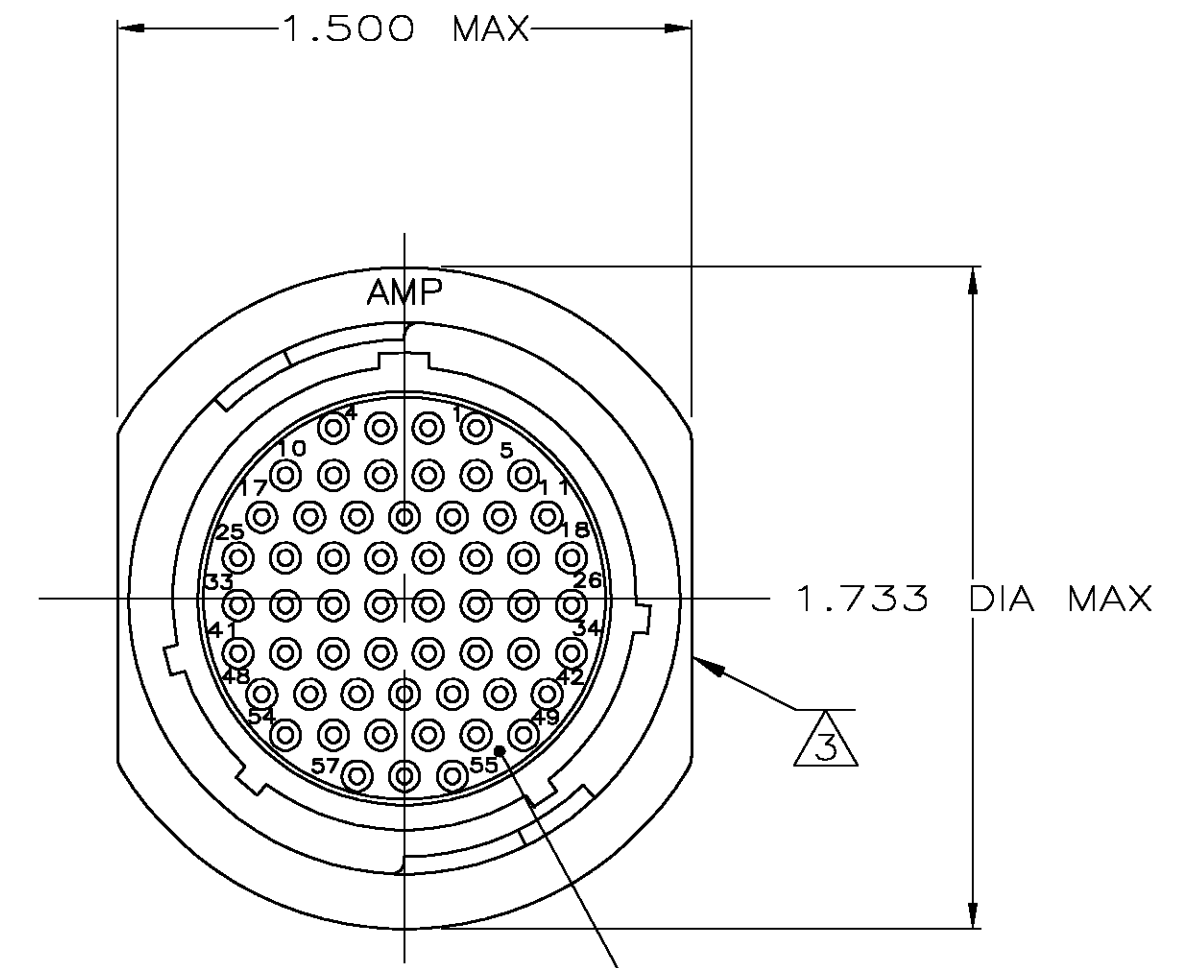
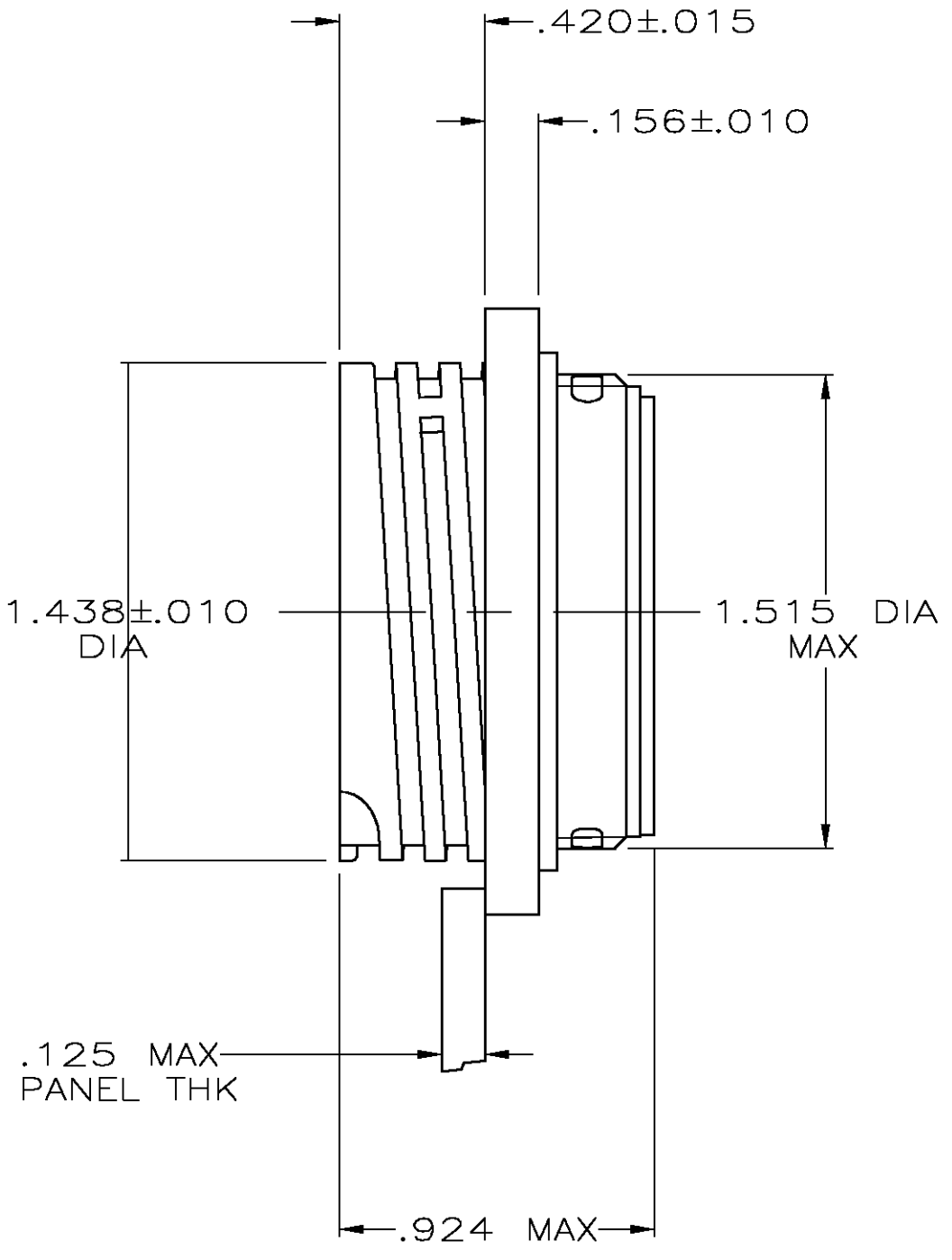
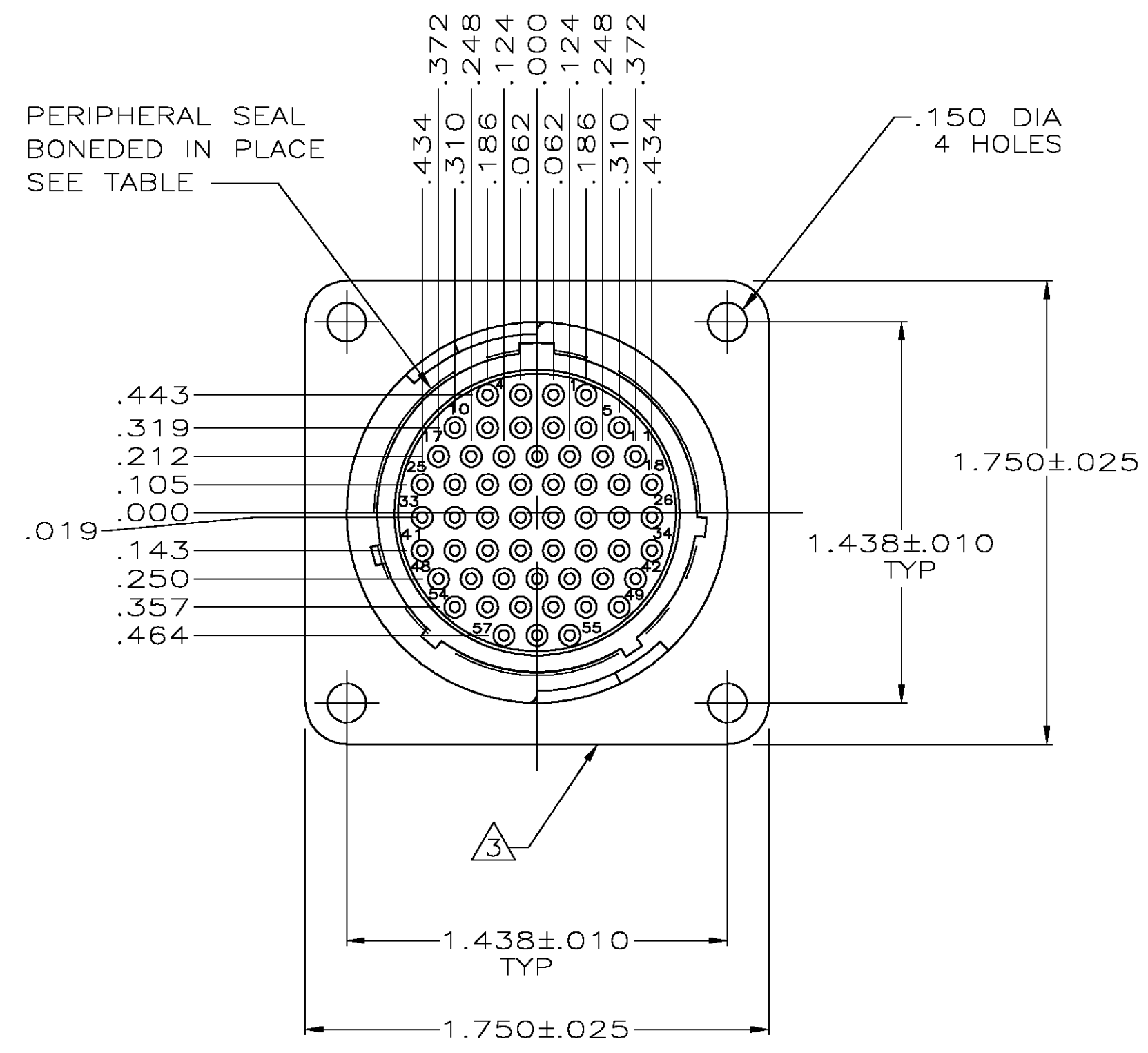


THIS DRAWING IS UNPUBLISHED. RELEASED FOR PUBLICATION  
 © COPYRIGHT BY TYCO ELECTRONICS CORPORATION. ALL RIGHTS RESERVED.

LOC		DIST		REVISIONS					
FT		0		P	LTR	DESCRIPTION	DATE	DWN	APVD
				K		REVISE PER OG3B-0582-03	7/29/03	SS	SH



PANEL CUTOUT  
SCALE 1:1

- NOTES:**
- CONTACT CAVITIES IDENTIFIED BY CHARACTERS ON FRONT AND REAR FACES OF CONNECTOR.
  - WILL ACCEPT (57) SIZE 20 SOCKET CONTACTS.
  - PART NUMBER THIS AREA.
  - #4 FASTENER RECOMMENDED FOR MOUNTING.

YES	206438-3
NO	206438-2
NO	206438-1
PERIPHERAL SEAL	PART NUMBER

THIS DRAWING IS A CONTROLLED DOCUMENT.		DWN	A.STAUB BG	4/3/91	Tyco Electronics Corporation	
DIMENSIONS: INCHES		CHK	W.G.LENKER	7-27-92	Harrisburg, PA 17105	
TOLERANCES UNLESS OTHERWISE SPECIFIED:		APVD	-	-	RECEPTACLE ASSEMBLY, REV SEX, SERIES 2, 23-57, CPC	
0 PLC	± -	NAME		-		
1 PLC	± -	PRODUCT SPEC		108-10024		
2 PLC	± -	APPLICATION SPEC		-		
3 PLC	± .005	SIZE		A2	00779	
4 PLC	± -	CAGE CODE		C=206438		RESTRICTED TO
ANGLES	± -	DRAWING NO		-		
FINISH	-	WEIGHT		-		
MATERIAL	THERMOPLASTIC,	CUSTOMER DRAWING		SCALE	2:1	SHEET 1 OF 1
				REV	K	

206438