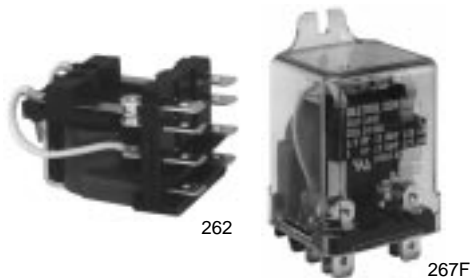


DELTRON

controls | DC

DIVISION OF DELTROL CORP.



260 SERIES RELAY 5, 10, AND 15 AMP GENERAL PURPOSE W/.250QC TERMINALS

FEATURES

- Class F Coil Insulation System for 155°C Total Temperature
- Coil Molded in DuPont Rynite® for Environmental Protection
- Unique Armature Stop Maintains Adjustment
- Fine Wire Gauge Coils are Skined for Coil Integrity

CONTACT DATA

CONFIGURATION:

Thru 3PDT

MATERIALS:

5 AMP:

1/8" Diameter Moveable Fine Silver
3/16" Diameter Stationary Fine Silver

10 AMP:

3/16" Diameter Moveable Silver Cadmium Oxide
3/16" Diameter Stationary Fine Silver

Gold Flash Standard on All 5 & 10 Amp Contacts

Gold Diffused Available on Special Order – Min. Qty. Req'd.

15 AMP:

7/32" Diameter Moveable Silver Cadmium Oxide
7/32" Diameter Stationary Silver Cadmium Oxide

CONTACT RATINGS

MODEL	POLE CONFIGURATION	UL RATINGS
260/265	thru 3PDT	5 amp or 1/8 HP at 120VAC 5 amp or 1/4 HP at 277VAC 2 amp at 600VAC 5 amp at 28VDC
261/266	thru 3PDT	10 amp or 1/3 HP at 120VAC 10 amp or 1/2 HP at 277VAC* 10 amp at 28VDC 1 HP at 277VAC – 3 phase 3 amp or 1/2 HP at 600VAC 12 FLA, 35 LRA at 15VAC
262/267	thru 3PDT	15 amp or 1/2 HP at 120VAC 15 amp or 1 HP at 277VAC* 15 amp at 28 VDC

* 3 Pole Devices Rated at 6-2/3 Amp When Switching Greater Than 150VAC, Unless Polarity is the Same on All Poles.

UL RECOGNIZED FILE NO.: E37066

CSA CERTIFIED FILE NO.: LR20690

EXPECTED LIFE

Electrical At Rated Load (Minimum)

100,000 Operations Except as Noted

Mechanical Life

10,000,000 Operations

DIELECTRIC STRENGTH

800 VRMS, 60 Hz Between Contacts
2200 VRMS, 60 Hz Between All Other Elements

MODELS

260: 5 Amp Open Frame

261: 10 Amp Open Frame

262: 15 Amp Open Frame

265F: 5 Amp with Flange Cover

266F: 10 amp with Flange Cover

267F: 15 Amp with Flange Cover

Other Suffixes Available

A-Indicator Lamp, B-Push to Test Button

TM-Top Mount Cover, SL - Stud & Locating Tab



COIL DATA

MODEL	POLE CONFIG.	AMP RATING	NOMINAL VOLTAGE	RESISTANCE IN OHMS ± 10%	NOMINAL COIL POWER
260/261 265F/ 266F	SPDT	5, 10	6VAC	5.0	2.0VA
			12VAC	20	
			24VAC	80	
			48VAC	315	
			120VAC	2025	
			240VAC	8000	
260/261 265F/ 266F	DPDT 3PDT	5, 10	6VAC	4.5	2.2VA
			12VAC	18	
			24VAC	72	
262/ 267F	SPDT DPDT 3PDT	15	48VAC	285	
			120VAC	1850	
			240VAC	7200	
260/261 265F/ 266F	SPDT DPDT 3PDT	5, 10	6VDC	30	1.2W
			12VDC	120	
			24VDC	480	
			48VDC	1850	
			110VDC	10,000	
262/ 267F	SPDT DPDT 3PDT	15	6VDC	24	1.5W
			12VDC	96	
			24VDC	375	
			48VDC	1,500	
			110VDC	8,000	

Coil Voltages: AC: Up to 277 Volts/60 Hz
DC: Up to 125 Volts

Coil Treatment: Molded Rynite® Std. Class F

Insulation Resistance: 100 Megohms Minimum

UL Insulation System File No.: E74443

S155D 155°C Total Temperature Std.

(Covers S105 Class A and S130D Class B Requirements)

OPERATE DATA

Pick Up (at 25°C): AC: Volts 85% or Less of Nominal
DC: Volts 75% or Less of Nominal

Operate Time: Approx. 15 Milliseconds

Release Time: Approx. 15 Milliseconds

ENVIRONMENTAL DATA

Operating Ambient: AC: -45° to 55°C (Except 262 & 267)

262 & 267: -45° to 65°C

DC: -45° to 70°C (Except 262 & 267)

262 & 267: -45° to 80°C

Coil Temperature Rise: (25°C Ambient – Continuous Duty)

AC: 45°C Approx. @ 60 Hz – Use at 50 Hz will

Cause Slight Increase in Coil Rise

DC: 25°C Approx. (Except 262 & 267)

262 & 267: 35°C Approx.

MECHANICAL DATA

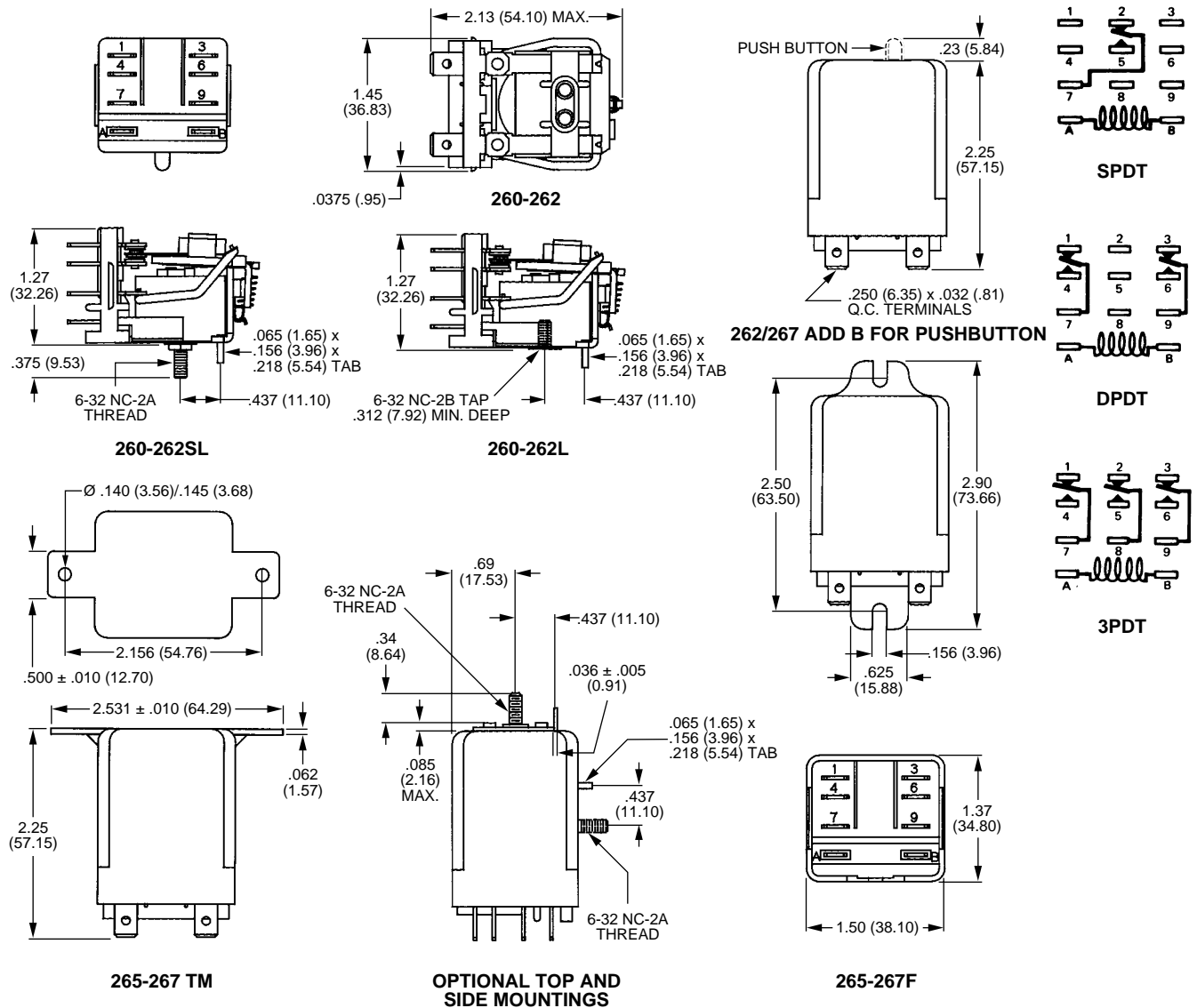
Terminals: .250" x .032" Quick Connect/Solder

Cover: Clear Polycarbonate – Flammability Rating 94V2

Weight: Approx. 3 oz. (85 g)

DIMENSIONS [Unit Inch (mm)]

SCHEMATICS



ORDERING INFORMATION

5 AMP Part Numbers

MODEL	POLE CONFIGURATION	AC Coils			DC Coils		
		24VAC	120VAC	240VAC	12VDC	24VDC	110VDC
265F	SPDT	20596-82	20596-84	20596-85	20602-81	20602-82	20602-84
	DPDT	20597-82	20597-84	20597-85	20603-81	20603-82	20603-84
	3PDT	20874-82	20874-84	20874-85	20964-81	20964-82	20964-84

10 AMP Part Numbers

266F	SPDT	20598-82	20598-84	20598-85	20604-81	20604-82	20604-84
	DPDT	20599-82	20599-84	20599-85	20605-81	20605-82	20605-84
	3PDT	20914-82	20914-84	20914-85	20990-81	20990-82	20990-84

15 AMP Part Numbers

267F	SPDT	20600-82	20600-84*	20600-85	20606-81*	20606-82*	20606-84
	DPDT	20601-82*	20601-84*	20601-85	20607-81*	20607-82*	20607-84
	3PDT	20913-82	20913-84	20913-85	20860-81	20860-82	20860-84

* Black Items are Normally Stocked.

Blue Items are Non Stock. Minimum Quantity May Be Required.