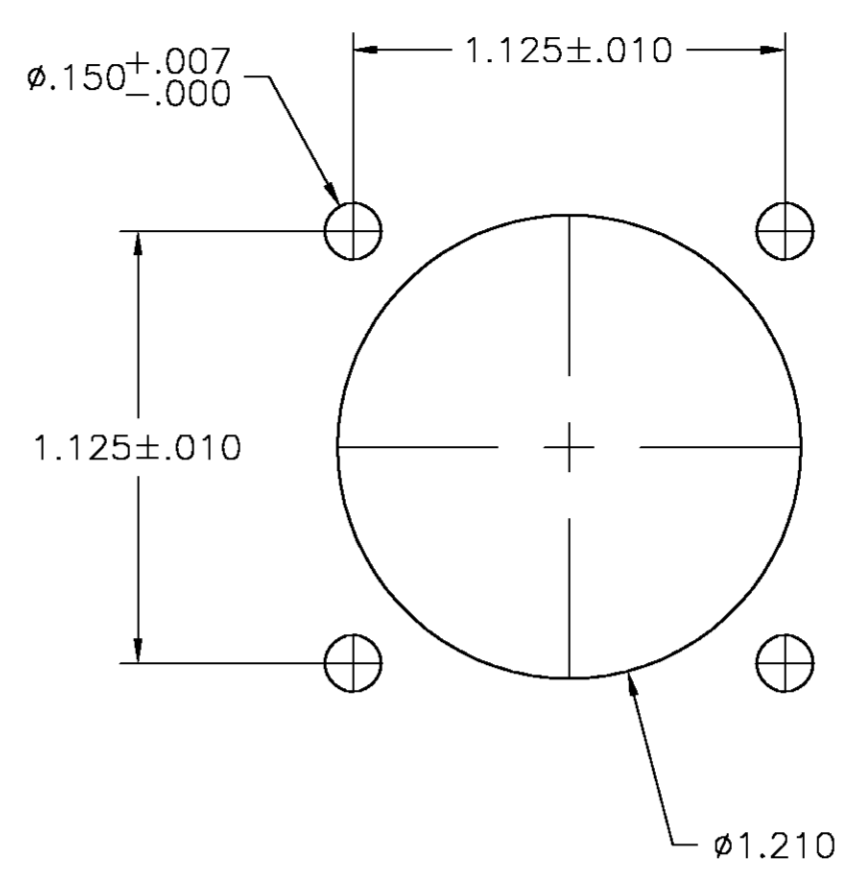
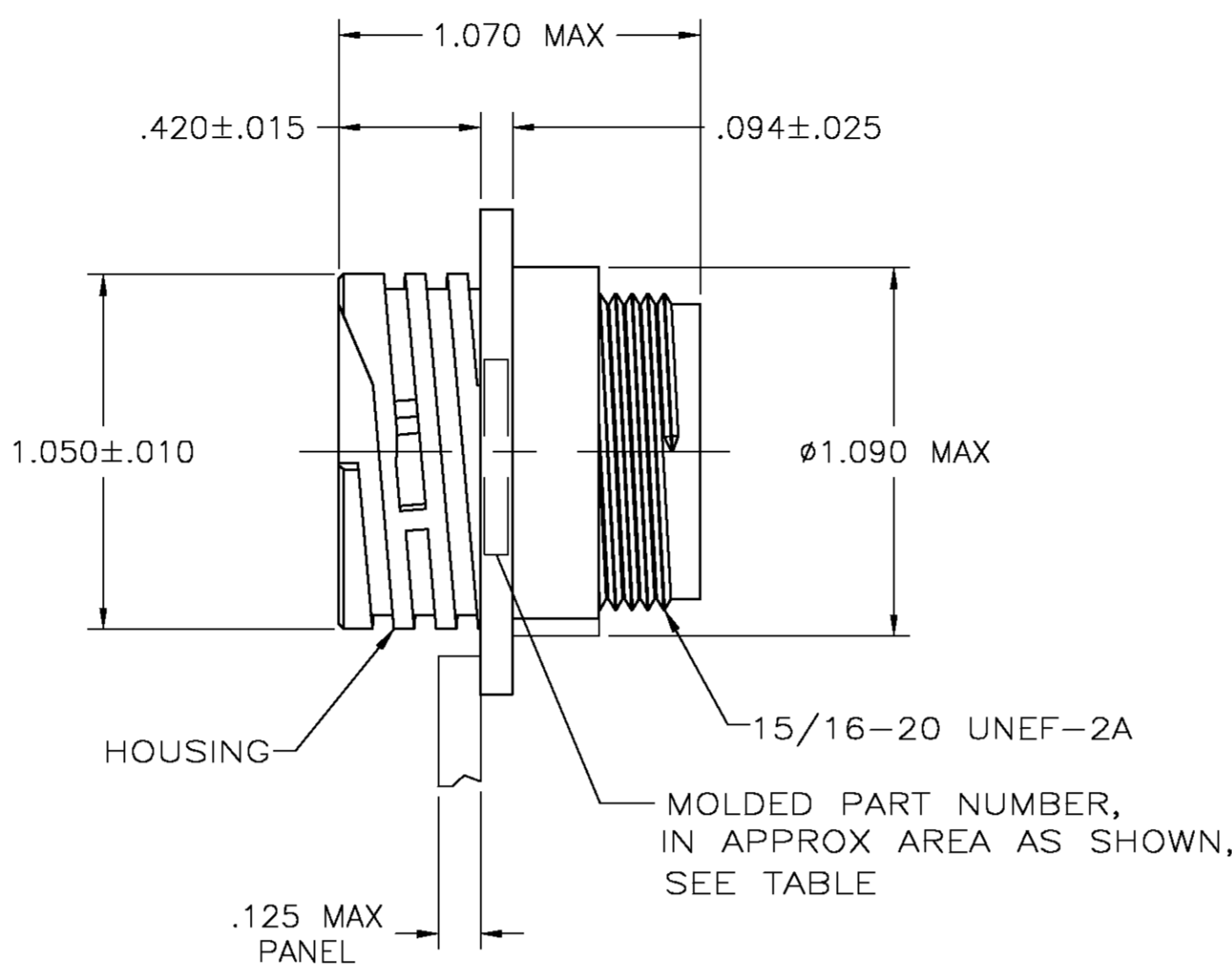
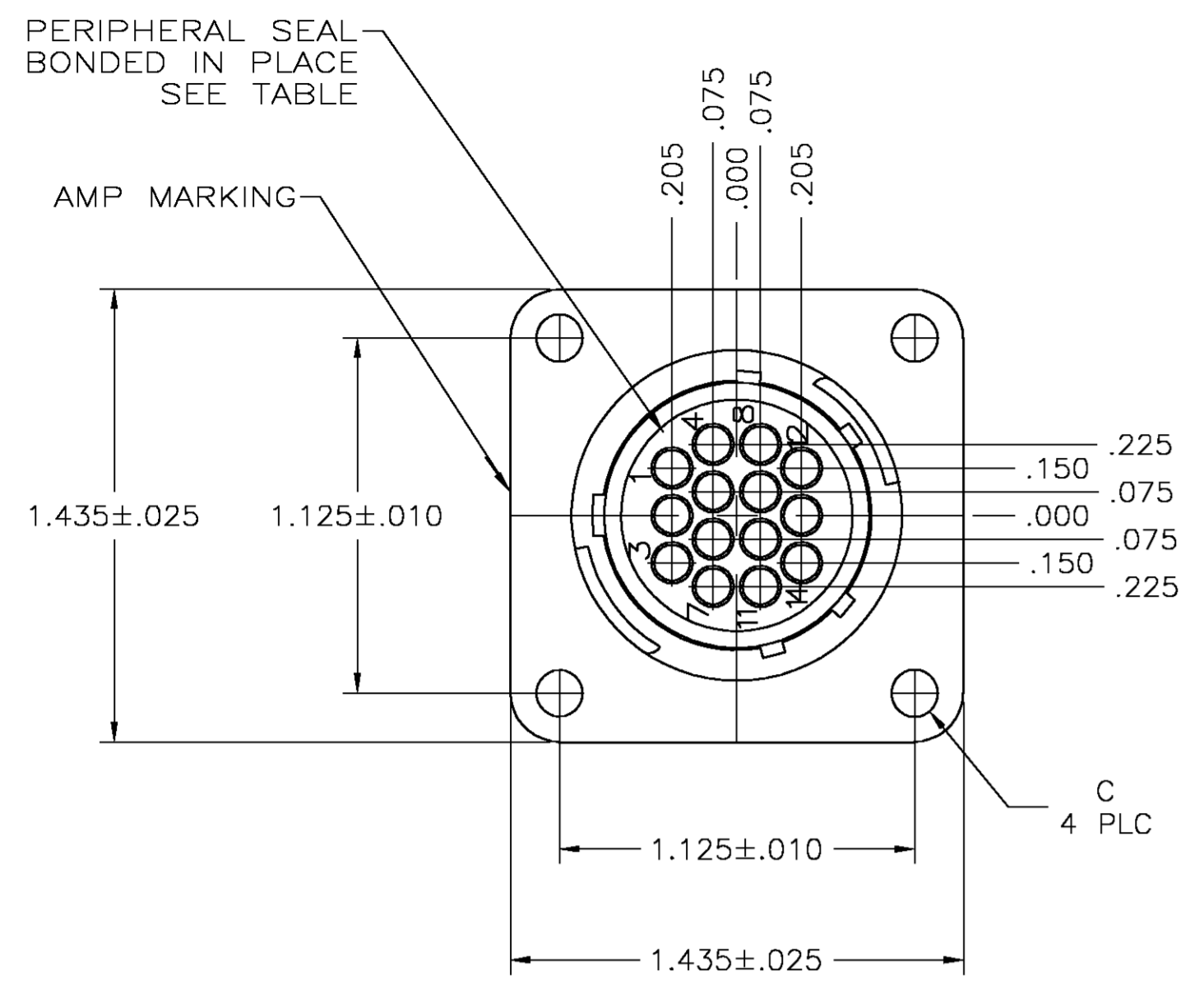
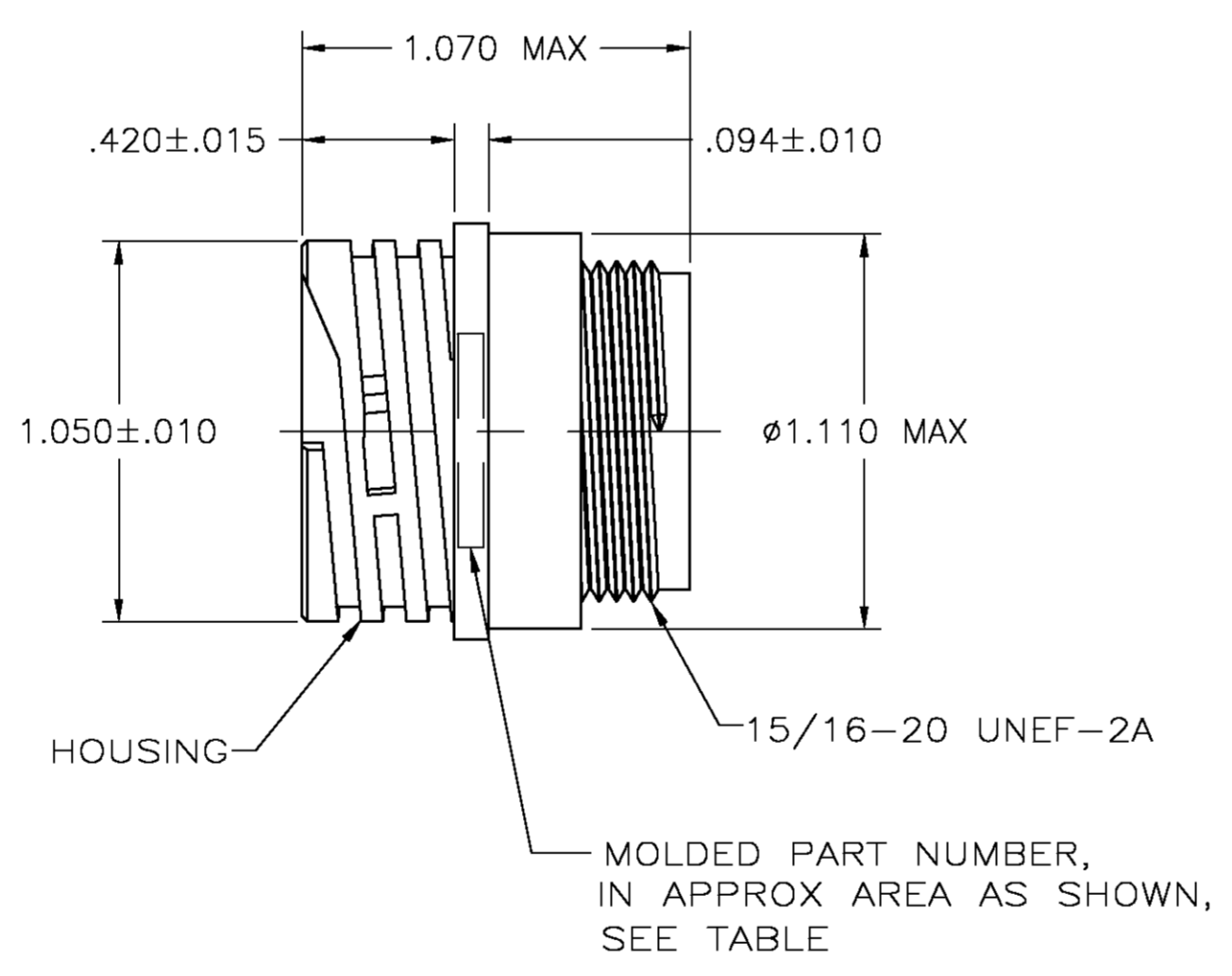
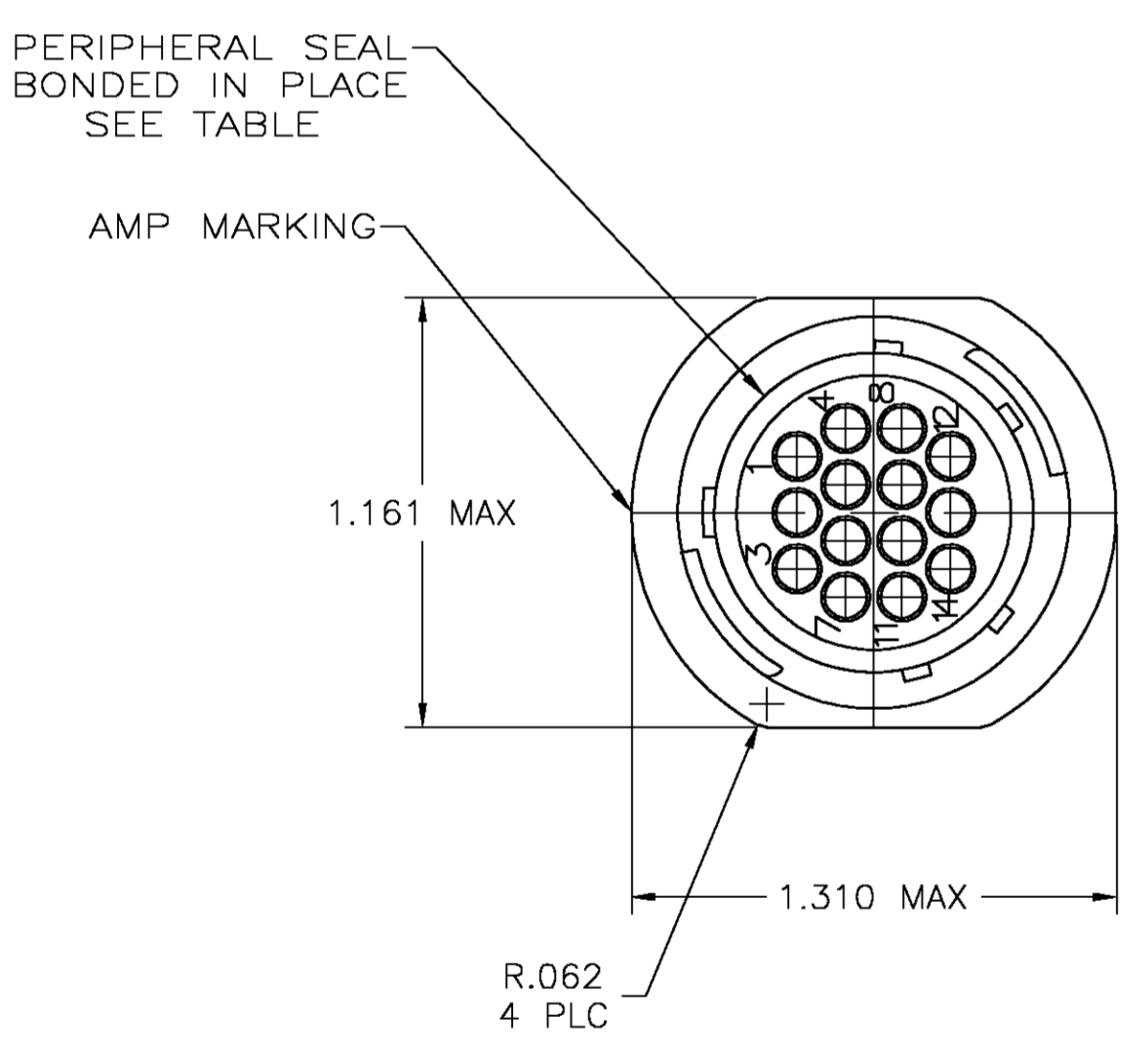


LOC		DIST		REVISIONS			
P	LTR	DESCRIPTION	DATE	DWN	APVD	SS	SH
R		REVISED PER 063B-0708-04	8/16/04	SS	SH		



RECOMMENDED PANEL CUTOUT

DETAIL A



DETAIL B

QTY	DESCRIPTION	UNIT	STANDARD	PERIPHERAL SEAL	SEE DETAIL	PART NO.
3	4-40 THREADED INSERTS	-	STANDARD	YES	A	206043-8
	Ø.150	-	SMALL PACK	NO	A	206043-6
	-	-	STANDARD	YES	B	206043-5
	Ø.150	-	STANDARD	YES	A	206043-4
	-	-	STANDARD	NO	B	206043-3
	Ø.150	206043-1	STANDARD	NO	A	206043-1
	DIM C	MOLDED PART NUMBER	PACKAGING	PERIPHERAL SEAL	SEE DETAIL	PART NO.

- NOTES:
1. CAVITY IDENTIFICATION ON FRONT AND REAR FACE.
 2. WILL ACCEPT FOURTEEN (14) MULTIMATE SOCKET CONTACTS.
- ⚠ PRELIMINARY PART NUMBER.

THIS DRAWING IS A CONTROLLED DOCUMENT

DIMENSIONS: INCHES	TOLERANCES UNLESS OTHERWISE SPECIFIED:	DWN: W. LENKER 09/10/92	CHK: R. STONE 08/11/93	APVD: -	NAME: Tyco Electronics Corporation, Harrisburg, Pa 17105-3608
0 PLC ± -	1 PLC ± -	2 PLC ± 0.13 [.005]	3 PLC ± -	4 PLC ± -	ANGLES ± -
MATERIAL: HOUSING: NYLON BLACK	FINISH: -	PRODUCT SPEC: 108-10024	APPLICATION SPEC: -	WEIGHT: -	SIZE: A1
CUSTOMER DRAWING		SCALE: 2:1	SHEET: 1 OF 1	REV: R	RESTRICTED TO: -