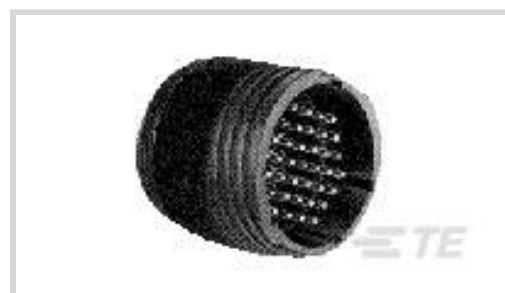




Connectors > Power Connectors > Circular Power > Circular Power Connectors > CPC SERIES 6 TWO-PIECE



Connector Product Type: **Housing**

Operating Voltage: **600 VDC**

Connector System: **Wire-to-Wire**

Number of Positions: **16**

Sealable: **Yes**

[All CPC SERIES 6 TWO-PIECE \(6\)](#)

Features

Product Type Features

Connector Product Type	Housing
Connector System	Wire-to-Wire
Sealable	Yes
Connector & Contact Terminates To	Wire & Cable
Connector & Housing Type	Receptacle
Circular Connector Shell Type	All Plastic

Configuration Features

Reverse Numbering	Without
Number of Positions	16
Number of Power Positions	0
Seal Type	Peripheral
Number of Signal Positions	16

Electrical Characteristics

Operating Voltage	600 VAC
-------------------	---------

Contact Features

Reverse Gender	No
Contact Type	Pin



Contact Current Rating (Max)	13 A
Contact Protection	With

Mechanical Attachment

Panel Mount Feature Type	Flange with Mounting Holes
Screw & Hole Thread Size	15/16-20 UNEF – 2A
Connector Mounting Type	Cable Mount (Free-Hanging)
Mating Alignment	With
Mating Retention	With
Panel Mount Feature	Without
Mating Alignment Type	Keyed
Mating Retention Type	Threaded Coupling

Housing Features

Body Orientation	Straight
Housing Color	Black
Housing Material	PA 6.6 GF
Circular Connector Shell Size	17

Usage Conditions

Operating Temperature Range	-55 – 105 °C[-67 – 221 °F]
Fluid Resistance	Immersion

Operation/Application

Circuit Application	Signal
Shielded	No

Industry Standards

UL Flammability Rating	UL 94V-0
VDE Tested	No

Packaging Features

Packaging Method	Standard
Packaging Quantity	100

Product Compliance

For compliance documentation, visit the product page on [TE.com](https://www.te.com)>

EU RoHS Directive 2011/65/EU	Compliant
------------------------------	-----------

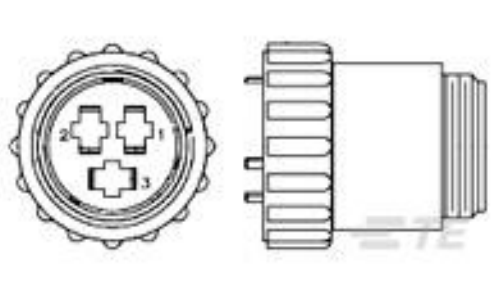


EU ELV Directive 2000/53/EC	Compliant
China RoHS 2 Directive MIIT Order No 32, 2016	No Restricted Materials Above Threshold
EU REACH Regulation (EC) No. 1907/2006	Current ECHA Candidate List: JUL 2021 (219) Candidate List Declared Against: JUL 2021 (219) Does not contain REACH SVHC
Halogen Content	BFR/CFR/PVC Free, but Br/Cl >900 ppm in other sources.
Solder Process Capability	Not applicable for solder process capability

Product Compliance Disclaimer

This information is provided based on reasonable inquiry of our suppliers and represents our current actual knowledge based on the information they provided. This information is subject to change. The part numbers that TE has identified as EU RoHS compliant have a maximum concentration of 0.1% by weight in homogenous materials for lead, hexavalent chromium, mercury, PBB, PBDE, DBP, BBP, DEHP, DIBP, and 0.01% for cadmium, or qualify for an exemption to these limits as defined in the Annexes of Directive 2011/65/EU (RoHS2). Finished electrical and electronic equipment products will be CE marked as required by Directive 2011/65/EU. Components may not be CE marked. Additionally, the part numbers that TE has identified as EU ELV compliant have a maximum concentration of 0.1% by weight in homogenous materials for lead, hexavalent chromium, and mercury, and 0.01% for cadmium, or qualify for an exemption to these limits as defined in the Annexes of Directive 2000/53/EC (ELV). Regarding the REACH Regulation, the information TE provides on SVHC in articles for this part number is based on the latest European Chemicals Agency (ECHA) 'Guidance on requirements for substances in articles' posted at this URL: <https://echa.europa.eu/guidance-documents/guidance-on-reach>

Compatible Parts



TE Part # 206037-2
CPC PLUG ASSEMBLY SIZE 17-3



TE Part # 206037-1
CPC PLUG ASSEMBLY SIZE 17-16



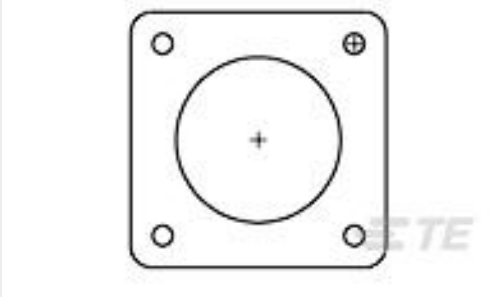
TE Part # 7-1579008-6
UNLOCKING TOOL



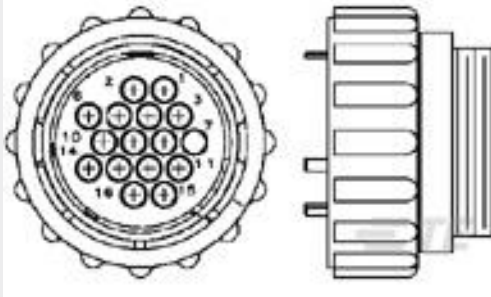
TE Part # 208652-1
SEALING CAP ASSY, SZ 17, CPC



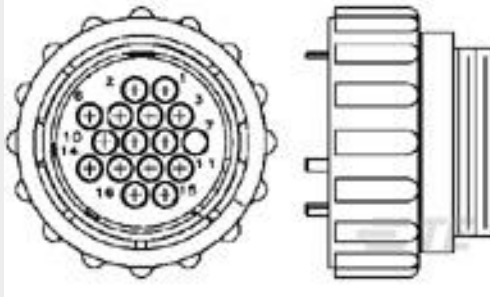
TE Part # CAT-AM71-C83998
HEAT SHRINK STRAIN RELIEFS-CPC



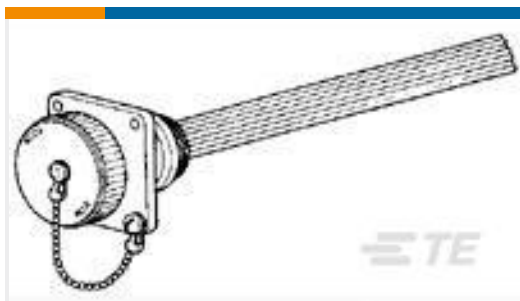
TE Part # 81665-2
FLANGE GASKET CPC



TE Part # 206037-3
CPC PLUG ASSEMBLY SZ 17-16



TE Part # 206037-4
CPC PLUG ASSEMBLY SZ 17-16



TE Part # 207445-3
SEALING CAP ASSY, 17, CPC ROHS
Compliant

Also in the Series | AMP CPC



Circular Connector Adapters(7)



Circular Connector Boots & Strain
Relief(6)



Circular Connector Caps & Covers(16)



Circular Connector Hardware(3)



Circular Connector Keying Plugs(2)



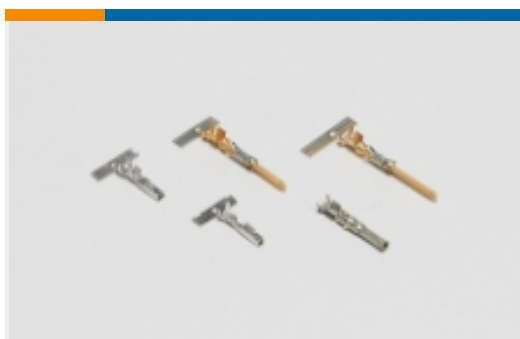
Circular Connector Seals(36)



Circular Power Connectors(513)



Insertion & Extraction Tools(1)



Power Contacts(6)



Sealing Sleeves(2)



Unscreened Circular Connector
Backshells & Clamps(56)

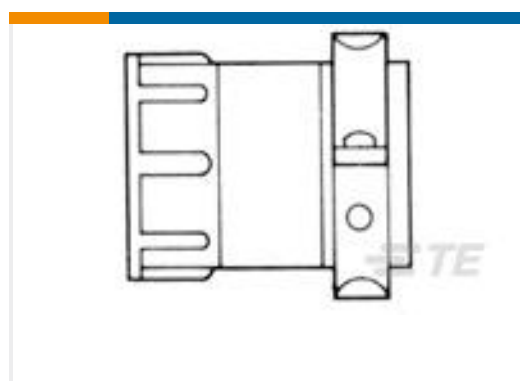
Customers Also Bought



TE Part #206037-1
CPC PLUG ASSEMBLY SIZE 17-16



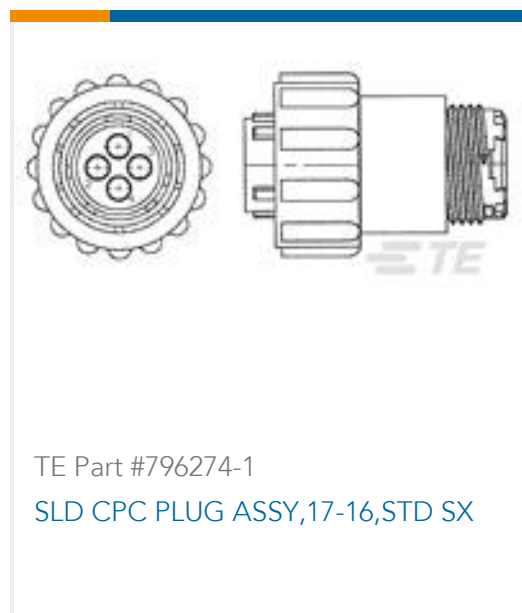
TE Part #66103-3
TYPE III CONTACTS LP



TE Part #206322-9
CABLE CLAMP SIZE 17



TE Part #213812-1
COUPLING RING, SZ 23, CPC



Documents

Product Drawings

CPC RECPT ASSEMBLY SIZE 17-16

English

CAD Files

3D PDF

3D

Customer View Model

[ENG_CVM_CVM_206036-5_AY.2d_dxf.zip](#)

English

Customer View Model

[ENG_CVM_CVM_206036-5_AY.3d_igs.zip](#)

English

Customer View Model

[ENG_CVM_CVM_206036-5_AY.3d_stp.zip](#)

English

By downloading the CAD file I accept and agree to the [Terms and Conditions](#) of use.

Datasheets & Catalog Pages

AMP Circular Connectors for Commercial Signal & Power Applications

English

Product Specifications

Connector, Circular Plastic

English

Product Specification

English



Instruction Sheets

[Instruction Sheet \(U.S.\)](#)

English

Agency Approvals

[CSA Certificate](#)

English