



Clifford & Snell

Yodac FL40

A Multi-Purpose Flashing Visual Signalling Device designed for use in Commercial & Industrial applications.
(Also known as V4 Xenon Strobe)

PRODUCT FEATURES

- Output options:
 - 5 Joule Xenon Strobe
 - 2.5 Joule Xenon Strobe (option)
- High Flash Intensity
- Flame retardant ABS enclosure
- UV Stable Polycarbonate Lens
- Lens available in Eight Colours
- Red or White Back Box Options
- Robust, reliable and simple to install
- IP65 as standard



Product Approvals



Electrical Data	
Operating Voltage	Current Draw
24vAC/DC ---	306mA
48vDC ---	157mA
115vAC ~	100mA
230vAC ~	75mA

Mechanical Data	
Enclosure Material	ABS FR UL94 5VB
Lens Material	PC FR UV Stable UL94 HB
External Fixings	Stainless Steel
Degree of Protection	IP65 (IEC60529)

Ambient Conditions	
Operating Temperatures	
Standard General	-35 °C to +70 °C
Storage Temperature	-40 °C to +70 °C
Max. Relative Humidity	93% ± 3 at 40 °C

Line Integrity on DC Systems
 Monitoring via reserve polarity end of line resistance. Minimum 3K3 Ohms
 0.5 Watts wire wound or metal film type.

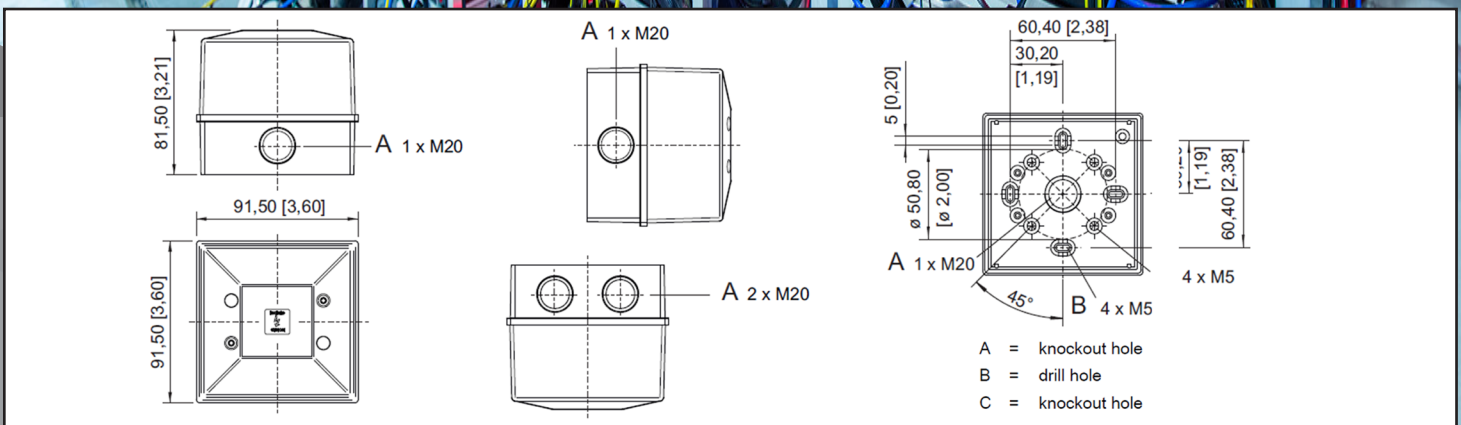
Luminous Characteristics	
Xenon Tube	5J Output (2.5J Option Available)
Flash Rate	60 FPM
Lens Colour	Effective Candela (cd)
Clear	72.10
Red	8.92
Amber	25.52
Blue	14.09
Green	29.70
Opal	65.78

Mounting / Installation
 For ease of installation the beacon lens is supplied loose from the mounting back box. The back box must be mounted with the two cable entries either at the top or the bottom. The back box should be mounted to a suitable flat wall, bulkhead or conduit box avoiding areas of undue vibration and using the internal fixing point options in the back box. Always use the mounting gasket supplied. The recommended fixing screws are 4.5mm Dia x 20mm Long. To maintain the IP rating of the enclosure the cable entries must be fitted with a suitably rated cable gland (Not Supplied). Max cable termination 2.5mm².

Dimensional Drawing

We reserve the right to make alterations to the technical data, dimensions, weights, designs and products available without notice. The illustrations cannot be considered binding.

All Dimensions in mm [inches] - Subject to alterations



SELECTION



Version	Enclosure Colour	Flash Energy	Rated Operational Voltage	Lens Colour	Order Number	Art. No.	Weight (kg)		
FL40 Xenon Strobe UKCA & CE marked, standard devices	Red Normal (RN) RAL 3001	5 J	24vAC/DC ~ (15-28vAC/DC)	Amber	FL40/D50/A/RN	204955	0.260		
				Red	FL40/D50/R/RN	204994	0.260		
				Green	FL40/D50/G/RN	204984	0.260		
				Opal	FL40/D50/O/RN	204989	0.260		
				Blue	FL40/D50/B/RN	204969	0.260		
				Clear	FL40/D50/C/RN	204976	0.260		
			48vDC ---	Amber	FL40/F50/A/RN	205005	0.250		
				Red	FL40/F50/R/RN	205008	0.250		
				Green	FL40/F50/G/RN	220162	0.250		
				Opal	FL40/F50/O/RN		0.250		
				Blue	FL40/F50/B/RN	220140	0.250		
				Clear	FL40/F50/C/RN	223141	0.250		
			115vAC ~ (100-130vAC)	Amber	FL40/L50/A/RN	205012	0.250		
				Red	FL40/L50/R/RN	205019	0.250		
				Green	FL40/L50/G/RN	212341	0.250		
				Opal	FL40/L50/O/RN	212342	0.250		
				Blue	FL40/L50/B/RN	212343	0.250		
				Clear	FL40/L50/C/RN	212344	0.250		
		230vAC ~ (180-265vAC)	Amber	FL40/N50/A/RN	205026	0.250			
			Red	FL40/N50/R/RN	205047	0.250			
			Green	FL40/N50/G/RN	205039	0.250			
			Opal	FL40/N50/O/RN	205042	0.250			
			Blue	FL40/N50/B/RN	205033	0.250			
			Clear	FL40/N50/C/RN	212346	0.250			
		Purple (Magenta) & Yellow Beacon Lenses available upon request.							
		2.5 Joules strobe options available upon request							

SELECTION

Version	Enclosure Colour	Flash Energy	Rated Operational Voltage	Lens Colour	Order Number	Art. No.	Weight (kg)
FL40 Xenon Strobe UKCA & CE marked, standard devices	White Normal (WN) RAL 9003	5 J	24vDC --- (15-28vDC ---)	Amber	FL40/D50/A/WN	204961	0.260
				Red	FL40/D50/R/WN	205003	0.260
				Green	FL40/D50/G/WN		0.260
				Opal	FL40/D50/O/WN	210152	0.260
				Blue	FL40/D50/B/WN	204974	0.260
				Clear	FL40/C50/C/WN	204978	0.260
			48vDC ---	Amber	FL40/F50/A/WN		0.250
				Red	FL40/F50/R/WN		0.250
				Green	FL40/F50/G/WN		0.250
				Opal	FL40/F50/O/WN		0.250
				Blue	FL40/F50/B/WN		0.250
				Clear	FL40/F50/C/WN		0.250
			115vAC ~ (100-130vAC)	Amber	FL40/L50/A/WN		0.250
				Red	FL40/L50/R/WN		0.250
				Green	FL40/L50/G/WN		0.250
				Opal	FL40/L50/O/WN		0.250
				Blue	FL40/L50/B/WN		0.250
				Clear	FL40/L50/C/WN		0.250
			230vAC ~ (180-265vAC)	Amber	FL40/N50/A/WN		0.250
				Red	FL40/N50/R/WN		0.250
				Green	FL40/N50/G/WN		0.250
				Opal	FL40/N50/O/WN		0.250
				Blue	FL40/N50/B/WN		0.250
				Clear	FL40/N50/C/WN	205037	0.250
Purple (Magenta) & Yellow Beacon Lenses available upon request.							
2.5 Joules strobe options available upon request							