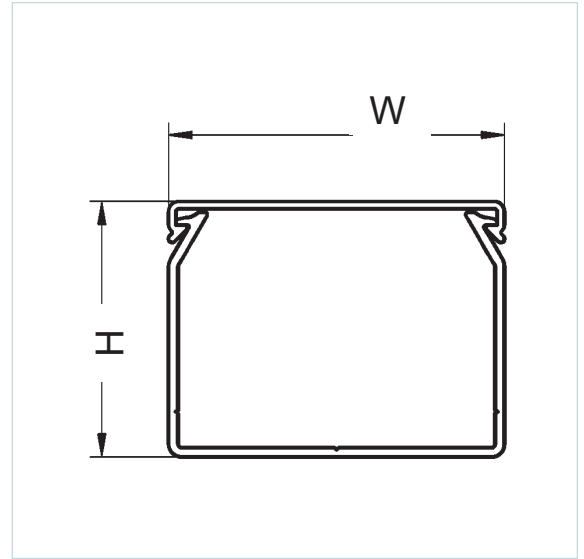


### Betaduct HF Open Slot Cable Trunking



#### Specification

<b>Material</b>	PC/ABS
<b>Colour</b>	Light Grey RAL7035
<b>Operating Temp</b>	-25°C to +90°C
<b>Volume Resistivity</b>	1 E15 Ohm. cm
<b>Dielectric Strength</b>	35 kV/mm
<b>Flame Resistance</b>	UL94 V0
<b>Yield Stress</b>	65 MPa
<b>LOI</b>	32%
<b>Glow Wire Flammability</b>	+960°C
<b>Fire Rating</b>	According to NFF16-101/102   I3/F2 According to DIN5510-2   S4-SR2-ST2 According to EN45545-2   R22 & R23 HL1/HL2/HL3 According to NFP92-501/507   M1
<b>UL Recognised</b>	UL 1565   E509564
<b>CSA Recognised</b>	CSA-C22.2 No. 18.5   E509564

#### Key Features

- Lightweight and self-extinguishing
- LSOH
- Excellent rigidity and performance characteristics
- Easy installation
- Base holes to EN 50085-2-3\*  
\*100mm height base holes to DIN 43659
- Break points on fingers
- Secure clip on lid

#### Spare lids available












Part Number	Nominal External (mm)		Lengths Per Pack	Quantity Per Pack (m)
	Height	Width		
20450022H	37.5	25	12	24
20450023H	50	25	12	24
20450024H	75	25	8	16
20450033H	50	37.5	8	16
20450034H	75	37.5	8	16
20450053H	50	50	8	16

### Betaduct HF Open Slot Cable Trunking

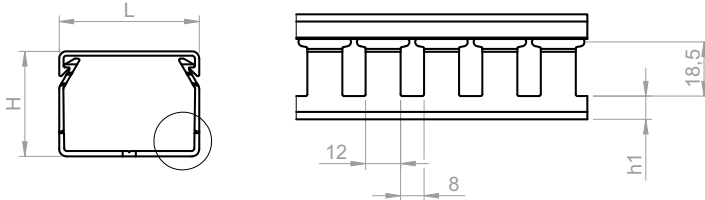
Part Number	Nominal External (mm)		Lengths Per Pack	Quantity Per Pack (m)
	Height	Width		
20450054H	75	50	8	16
20450055H	100	50	4	8
20450073H	50	75	8	16
20450074H	75	75	8	16
20450075H	100	75	4	8
20450104H	75	100	4	8
20450124H	75	125	4	8

#### You might also need...

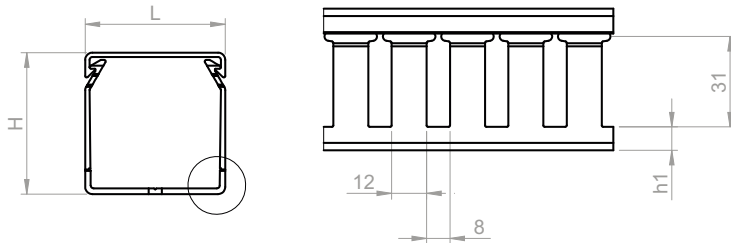
<p><b>EDC1</b></p>  <p><b>Betaduct Trunking Cutting Tool</b></p> <ul style="list-style-type: none"> <li>• Blade W: 21.5mm</li> <li>• Cutting D: 50mm</li> </ul>	<p><b>BETADUCT-CUTTER</b></p>  <p><b>Betaduct Trunking Cutting Tool</b></p> <ul style="list-style-type: none"> <li>• Cuts up to 125mm</li> </ul>	<p><b>EDC 2</b></p>  <p><b>Betaduct Trunking Cutting Tool</b></p> <ul style="list-style-type: none"> <li>• Cuts up to 110mm</li> </ul>	<p><b>1857</b></p>  <p><b>Betaduct Trunking Cutting Tool</b></p> <ul style="list-style-type: none"> <li>• Ideal for cutting slots in trunking</li> </ul>	<p><b>RT4 or RT6</b></p>  <p><b>Betaduct Trunking Rivet Tools</b></p> <ul style="list-style-type: none"> <li>• 4.5mm (RT4)</li> <li>• 6.5mm (RT6)</li> </ul>	<p><b>DUCTAFIX R4 or R6</b></p>  <p><b>Betaduct Trunking Rivets</b></p> <ul style="list-style-type: none"> <li>• 4mm (R4)</li> <li>• 6mm (R6)</li> </ul>
<p><b>10440000</b></p>  <p><b>Betaduct Insulating Washers</b></p> <ul style="list-style-type: none"> <li>• Black</li> <li>• Pack of 50</li> </ul>	<p><b>BC1</b></p>  <p><b>HF Bridging Clip For Narrow Trunking</b></p> <ul style="list-style-type: none"> <li>• 22.5mm x 105mm</li> <li>• Pack of 50</li> </ul>	<p><b>BC2</b></p>  <p><b>HF Bridging Clip For Narrow Trunking</b></p> <ul style="list-style-type: none"> <li>• 24mm x 108mm</li> <li>• Pack of 50</li> </ul>			

### Betaduct HF Open Slot Cable Trunking

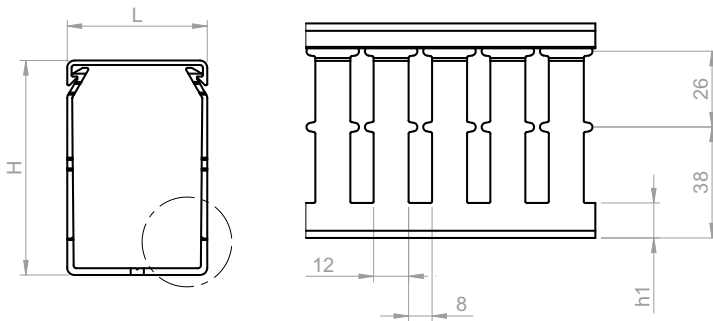
H = 37.5 mm



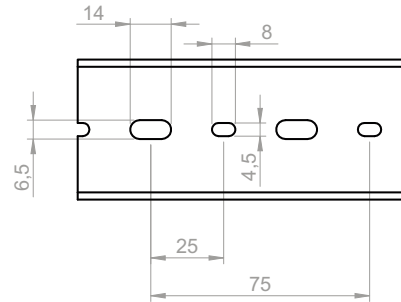
H = 50 mm



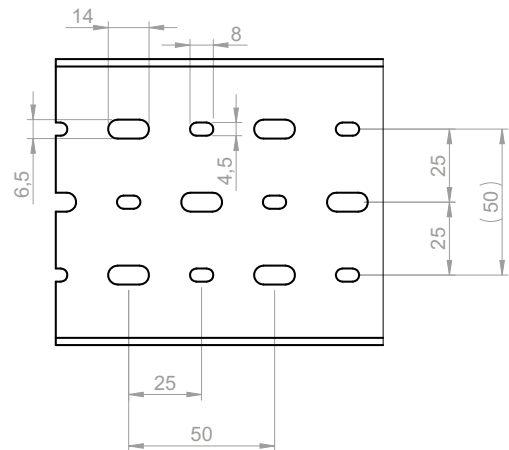
H = 75 mm



W = 25, 37.5, and 50 mm



W = 75, 100 and 125mm



Base punching to EN 50085-2-3

H (mm)	37.5	50	75
h1 (mm)	8	8	12

### Betaduct Trunking Capacity Chart

Trunking Nominal External Width x Height (mm)	Internal Cross Sectional Area (mm <sup>2</sup> )	At 50% Packing Density (mm <sup>2</sup> )	Cable Cross Sectional Area (mm <sup>2</sup> ) Tri-Rated Cable BS6231															
			Cable Diameter (mm)															
			0.50	0.75	1.00	1.50	2.50	4.00	6.00	10.00	16.00	25.00	35.00	50.00	70.00	95.00		
25 x 37.5	608	304	55	48	43	35	28	19	16	9	4	3	2	1	1	1	1	
25 x 50	836	418	76	66	59	48	38	27	22	12	6	4	3	2	1	1	1	
25 x 75	1311	655.5	120	104	92	76	60	43	34	19	10	7	5	3	3	2	2	
37.5 x 37.5	1024	512	94	81	72	59	47	33	27	15	7	5	4	2	2	1	1	
37.5 x 50	1408	704	129	111	99	82	65	46	37	21	10	8	6	4	3	2	2	
37.5 x 75	2208	1104	203	175	156	129	102	72	58	33	17	12	9	6	5	3	3	
50 x 37.5	1408	704	129	111	99	82	65	46	37	21	10	8	6	4	3	2	2	
50 x 50	1936	968	178	153	136	113	90	63	51	29	15	11	8	5	4	3	3	
50 x 75	3036	1518	279	241	214	177	141	99	80	45	23	17	13	8	7	5	5	
50 x 100	4136	2068	380	328	292	241	192	136	109	62	32	23	18	12	9	7	7	
75 x 37.5	2208	1104	203	175	156	129	102	72	58	33	17	12	9	6	5	3	3	
75 x 50	3036	1518	279	241	214	177	141	99	80	45	23	17	13	8	7	5	5	
75 x 75	4761	2380.5	438	378	336	278	221	156	126	71	37	27	21	13	11	8	8	
75 x 100	6486	3243	596	515	458	379	301	213	171	97	50	37	29	18	15	11	11	
100 x 50	4136	2068	380	328	292	241	192	136	109	62	32	23	18	12	9	7	7	
100 x 75	6486	3243	596	515	458	379	301	213	171	97	50	37	29	18	15	11	11	
100 x 100	8836	4418	813	702	625	516	410	290	234	133	68	50	39	25	20	16	16	
150 x 100	13536	6768	1245	1075	957	791	629	445	358	203	105	77	60	39	31	24	24	
125 x 75	8142	4071	749	647	575	475	378	267	215	122	63	46	36	23	18	14	14	