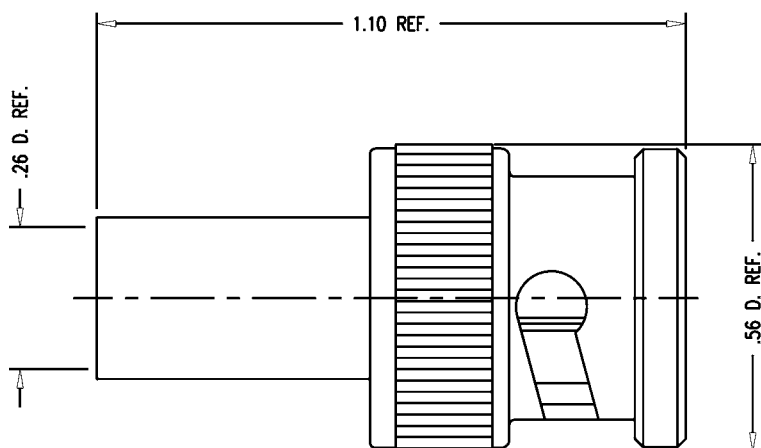


GSD

2025-53-9



STAMP: KINGS 2025-53-9

NOTES:

1. FOR USE WITH GEPCO VPM 2000TK CABLE.
2. FOR CABLING INSTRUCTIONS SEE 3-117.
3. FOR CRIMPING USE DIE KTH-2002.
4. INTERFACE PER MIL-STD-348, FIG. 301-1 (AS APPLICABLE).
5. MATERIALS:
 INSULATOR: TEFLON, ASTM-D-4894
 GASKET: SIL. RUB., ZZ-R-765
 OUTER CONTACT: BER. COP., ASTM-B-196
 ALL OTHER PARTS: BRASS, ASTM-B16
6. FINISHES:
 SPRING WASHER: SILVER PLT. PER QQ-S-365
 CENTER CONTACT: HARD GOLD PLT. PER MIL-G-45204
 ALL OTHER METAL PARTS: KINGS TARNISH RESISTANT FINISH (TR-5)
7. ELECTRICAL CHARACTERISTICS:
 NOMINAL IMPEDANCE: 75 OHMS
 VOLTAGE RATING: 500 VRMS
 FREQUENCY RANGE: DC TO 2 GHz

REVISIONS

ISSUE	CHANGES	
	0	ER 33891 JCA 04/27/92
1	CN 34593 E JCA 04/21/93	
2	CN 35114 A JCA 11/16/93	
3	CN 37048 D KH 07/02/96	

JCA2745

SCALE 4:1

APPROX SURFACE AREA

USED ON

REF:

PLUG, 75 BNC

DRAWN	JCA	DATE	04/27/92
-------	-----	------	----------

DESIGN	DW	DATE	04/28/92
--------	----	------	----------

APPR.		DATE	
-------	--	------	--

KINGS
 ELECTRONICS CO., INC.
 TUCKAHOE, NEW YORK 10707

GSD

2025-53-9