

900 Long Base



900 Short Base

DELTRON

controls



DIVISION OF DELTROL CORP.

900 SERIES RELAY 30 AND 50 AMP HEAVY DUTY POWER RELAY

FEATURES

- Class F Coil Insulation System for 155°C Total Temperature
- Coil Molded in DuPont Rynite® for Environmental Protection
- Rugged Construction Rivets Terminals to Base
- 900, 900D and 900E are UL and cUL Listed
- 900-1C, 900Q and 900R are UL and cUR Recognized

CONTACT DATA

CONFIGURATION:

Thru DPDT

MATERIALS:

All Versions

5/16" Diameter Silver Cadmium Oxide

Fine Silver Available on Special Order – Min. Qty. Req'd.

CONTACT RATINGS

MODEL	POLE CONFIGURATION	UL RATINGS
900		30 amp or 1-1/2 HP at 120 or 240VAC 2 HP at 240VAC 3600W at 120 or 240VAC (ballast)
900Q		30 amp at 240VAC, 100,000 cycle (resistive)
900-1C	SPST-NC short base	Same as 900 with addition of auxiliary 1/4 HP at 125 or 250VAC
	SPST-NO short base	
	SPST-NO-DM short base	
900D	SPST-NC-DB long base	Same as 900 with additional rating of 20 amp at 125VDC
	SPDT short base	
900E 900R	DPST-NO short base	50 amp at 277VAC resistive 100,000 cycles, 40 amp general use (Inductive)
	DPST-NC long base	

UL RECOGNIZED FILE NO.: E37066

900, 900D & E are UL and cUL listed. Other versions are UR and cUR recognized.
(US and Canadian Recognition)

EXPECTED LIFE

Electrical At Rated Load (Minimum)

100,000 Operations

Mechanical Life

1,000,000 Operations

DIELECTRIC STRENGTH

2200 VRMS, 60 Hz Between Contacts

2200 VRMS, 60 Hz Between Other Elements

MODELS

900: Fast Acting 30 Amp Power Relays

900-1C: Same as 900 with Addition of SPDT Auxiliary Snap Switch Rated 10 Amp, 1/4 HP

900Q: Same as 900 with .250" Quick-Connect Termination

900D: Same as 900 with Addition of Blow Out Magnets for Switching DC Loads

900E: Same as 900 with 50 Amp Rating and Box Lug Termination

900R: Same as 900 with 50 Amp Rating and Standard Screw Terminals



COIL DATA

	NOMINAL VOLTAGE	RESISTANCE IN OHMS ± 10%	NOMINAL COIL POWER
AC Coils	6VAC	.85	9.5VA
	12VAC	2.85	
	24VAC	11.5	
	120VAC	295	
	240VAC	1170	
DC Coils	480VAC	4860	2W
	6VDC	18	
	12VDC	72	
	24VDC	290	
	48VDC	1,150	
	110VDC	6,050	

Coil Voltages: AC: Up to 600 Volts/60 Hz
DC: Up to 125 Volts

Coil Treatment: Molded Rynite® Std. Class F

Insulation Resistance: 100 Megohms Minimum

UL Insulation System File No.: E74443

S155D 155°C Total Temperature Std.

(Covers S105 Class A and S130D Class B Requirements)

OPERATE DATA

Pick Up (at 25°C): AC Volts 85% or Less of Nominal
DC Volts 75% or Less of Nominal

Operate Time: Approx. 30 Milliseconds

Release Time: Approx. 30 Milliseconds

ENVIRONMENTAL DATA

Operating Ambient: AC: -45° to 80°C @ 30 amps

AC: -45° to 70°C @ 50 amps

DC: -45° to 115°C @ 30 amps

DC: -45° to 105°C @ 50 amps

Coil Temperature Rise: (25°C Ambient – Continuous Duty)

AC: 70°C Approx. @ 60 Hz – Use at 50 Hz

will Cause Slight Increase in Coil Rise

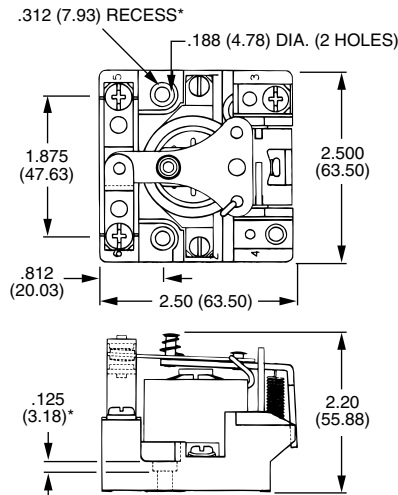
DC: 35°C Approx.

MECHANICAL DATA

Terminals: Screw Type on all but SERIES 900Q which has Quick Connect, .250"

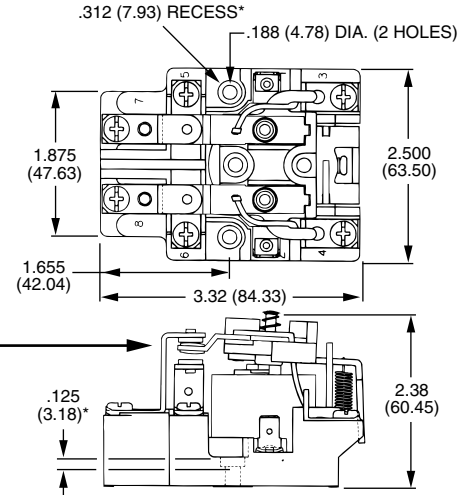
Weight: Short Base Versions 8 oz. Approx. (227 g)
Long Base Versions 10 oz. Approx. (283 g)

DIMENSIONS [Unit Inch (mm)]

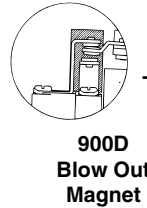


900 (SHORT BASE)

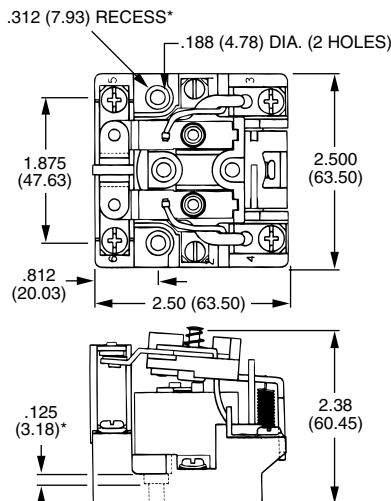
*RECESS FOR SCREW MOUNTING ON UNITS WITH 300-600VAC COILS



900 (LONG BASE)

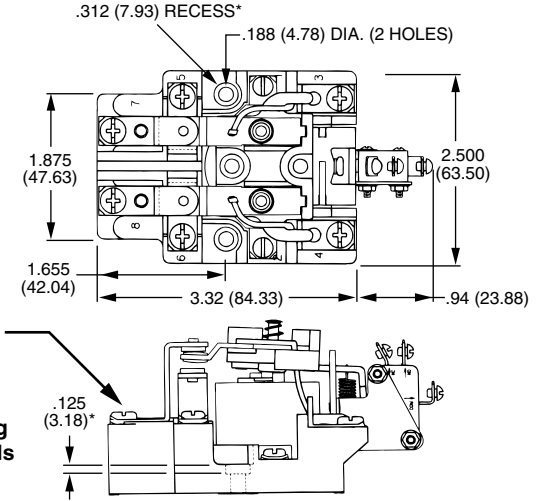


**900D
Blow Out
Magnet**

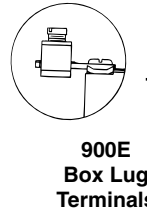


900 (DPST-NC SHORT BASE)

*RECESS FOR SCREW MOUNTING ON UNITS WITH 300-600VAC COILS



900-1C (LONG BASE)



**900E
Box Lug
Terminals**

ORDERING INFORMATION

MODEL 900 30 AMP Part Numbers

Pole Configuration	AC Coils			DC Coils		
	24VAC	120VAC	240VAC	12VDC	24VDC	110VDC
SPST-NO	20237-82*	20237-83*	20237-84	20333-81	20333-82	20333-84
SPST-NC	20330-82	20330-83	20330-84	20334-81	20334-82	20334-84
SPST-NO-DM	20238-82*	20238-83*	20238-84	20242-81	20242-82	20242-84
SPST-NC-DB	20332-82	20332-83	20332-84	20336-81	20336-82	20336-84
SPDT	20239-82*	20239-83*	20239-84	20243-81*	20243-82*	20243-84
DPST-NO	20240-82*	20240-83*	20240-84*	20244-81*	20244-82*	20244-84
DPST-NC	20331-82	20331-83	20331-84	20335-81	20335-82	20335-84
DPDT	20241-82*	20241-83*	20241-84*	20245-81*	20245-82*	20245-84*

MODEL 900-1C 30 AMP Part Numbers

DPST-NC	20361-82	20361-83	20361-84	20367-81	20367-82	20367-84
DPST-NO	20248-82	20248-83	20248-84	20249-81	20249-82*	20249-84
DPDT	20246-82	20246-83*	20246-84	20247-81	20247-82	20247-84

* Black Items Are Normally Stocked.

Blue Items Are Non Stock. Minimum Quantity May Be Required.



OPTIONAL DUST COVER B-5 DUST COVER FOR SERIES 900

Sealed knock-out holes for standard conduit fittings. Relay mounts on pre-drilled base. Constructed of Aluminum. Snap action cover release.

SIZE: 5" W x 3" H x 4" D. P/N 20257-80*