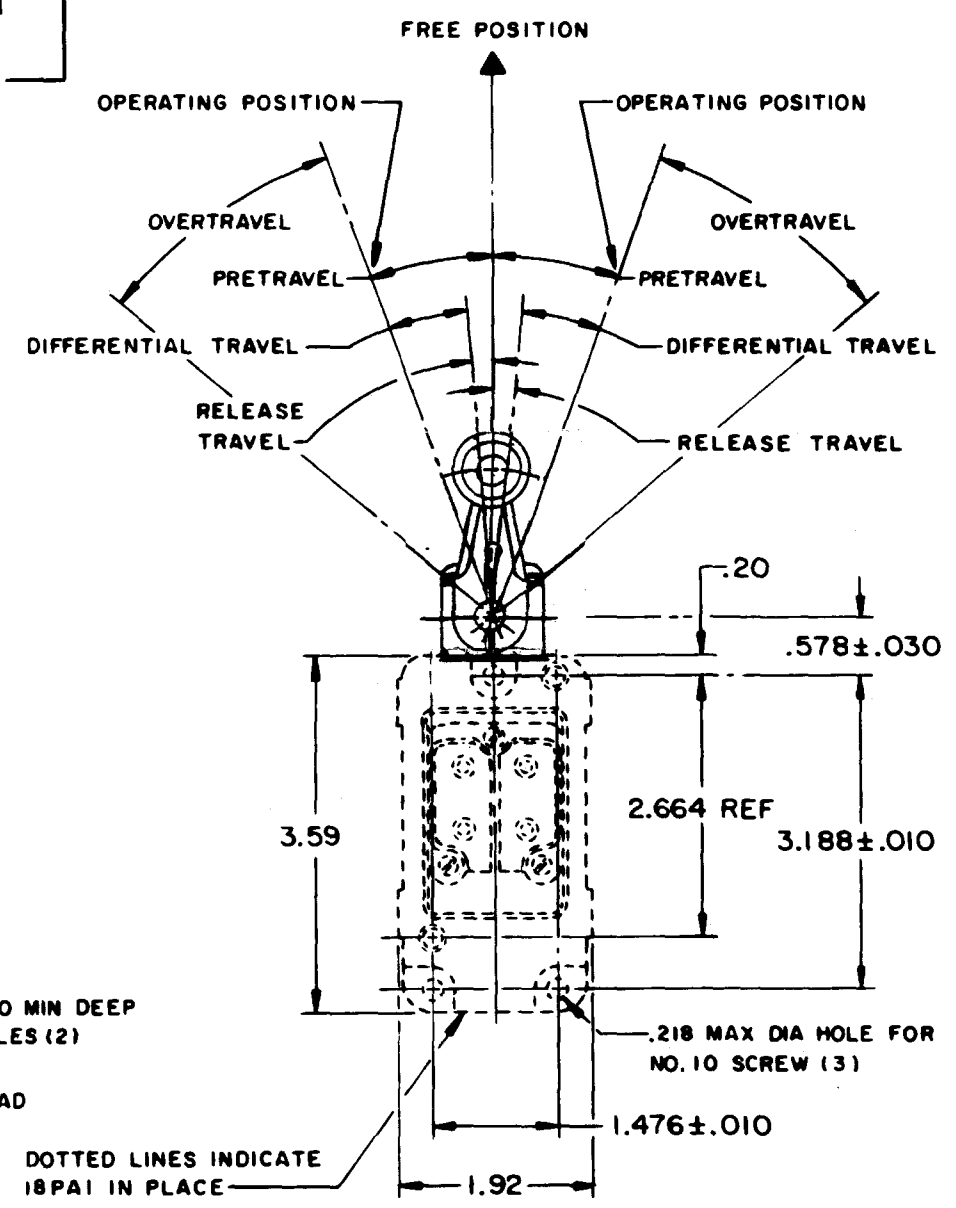
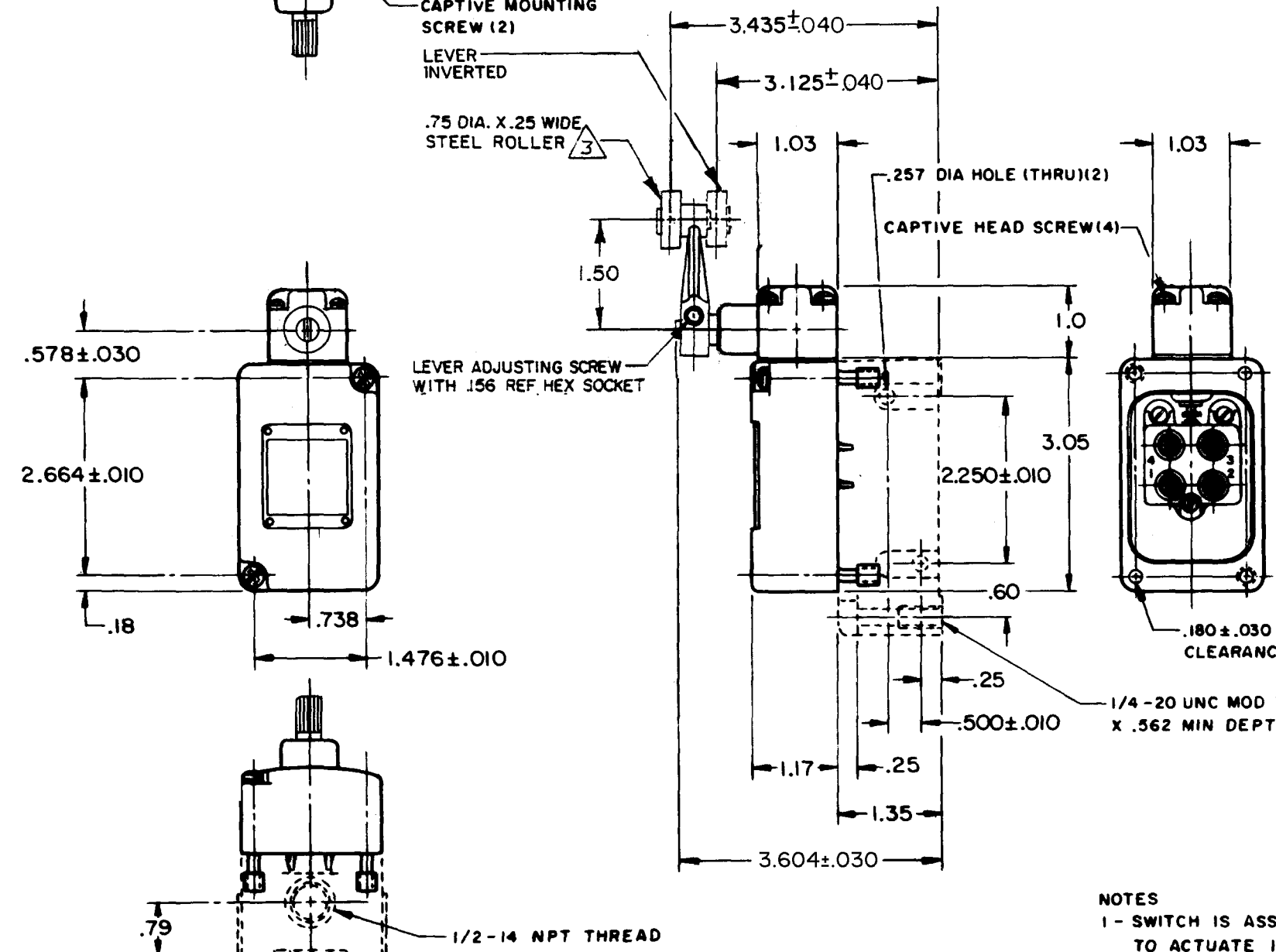
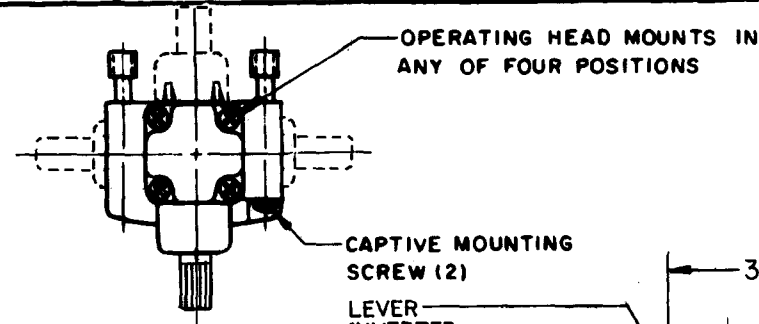
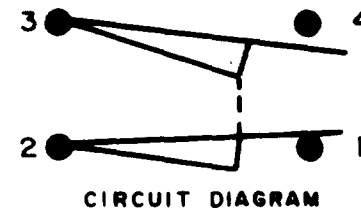


SWITCH - ENCLOSED

CATALOG LISTING
201LS19



- NOTES**
- SWITCH IS ASSEMBLED FOR ACTUATION IN BOTH DIRECTIONS BUT MAY BE ADJUSTED TO ACTUATE IN EITHER THE CLOCKWISE DIRECTION ONLY OR THE COUNTERCLOCKWISE DIRECTION ONLY
 - TO CONVERT SWITCH FOR ACTUATION IN EITHER THE CLOCKWISE OR COUNTERCLOCKWISE DIRECTION ONLY, REMOVE ACTUATOR HEAD AND ROTATE THE NOTCHED PLUNGER 90° TO THE RIGHT FOR CLOCKWISE ACTUATION OR 90° TO THE LEFT FOR COUNTERCLOCKWISE ACTUATION
 - ROLLER LEVER MAY BE LOCKED IN ANY POSITION THRU 360°
 - LEVER FURNISHED UNASSEMBLED IN UNIT PACKING BOX

THIS DRAWING COVERS A PROPRIETARY ITEM AND IS THE PROPERTY OF MICRO SWITCH, A DIVISION OF MINNEAPOLIS-HONEYWELL REGULATOR CO. THIS DRAWING IS NOT TO BE COPIED OR USED WITHOUT THE APPROVAL OF MICRO SWITCH.

CHARACTERISTICS	ELECTRICAL DATA	SCALE 1/2 TO 1
OPERATING TORQUE --- 4.5 IN-LB MAX	CONTACT ARRANGEMENT (SEE CIRCUIT DIAGRAM)	DO NOT SCALE PRINT
FULL OVERTRAVEL TORQUE --- 6 IN-LB MAX	10A - 120, 240 OR 480 VAC	UNLESS OTHERWISE NOTED
RELEASE TORQUE --- .75 IN-LB MIN	1/4 HP - 120 VAC; 1/2 HP - 240 VAC	DIMENSIONS ARE IN INCHES
PRETRAVEL --- 5° MAX	PILOT DUTY: 600 VAC MAX	TOLERANCES ARE:
OVERTRAVEL --- 30° MIN		ONE PLACE (.0) ±.030
RELEASE TRAVEL --- 0° 30' MIN		TWO PLACE (.00) ±.015
SWITCH-BASIC REPLACEMENT --- 2MN13		THREE PLACE (.000) ±.005
		ANGLES ±
		WEIGHT

CATALOG LISTING **201LS19** PAGE 1 OF 1
 DRAWING NUMBER **M**
 ISSUE **17**
 REVISIONS:
 A CO-95463-B 9 L T 7 SEP 99
 B ECO-200178 5 APR 00
 CHECK BY 13 MAR 04
 CHECK BY 13 MAR 04
 CHECK BY 12 MAR 04
 DRAWN M B F
 FORMTEK 90-80379-003
 RELEASE NO. SR 11482
 REPLACES