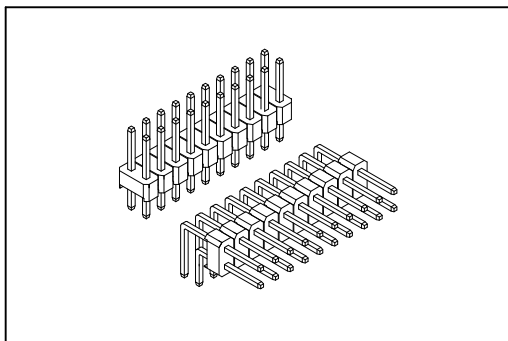




2011 Series

Pin Header 2.54mmX2.54mm(0.100"X0.100")



Material:

Housing: Thermoplastic Polyester Glass Filled UL94V-0.

Contacts: Copper Alloy.

Electrical Characteristics:

Current Rating: 2 A.

Dielectric Withstanding Voltage: AC 1000V.

Insulator Resistance: 1000MΩ min.

Contact Resistance: 20mΩ max.

Operating Temperature: -40°C~+105°C.

Features:

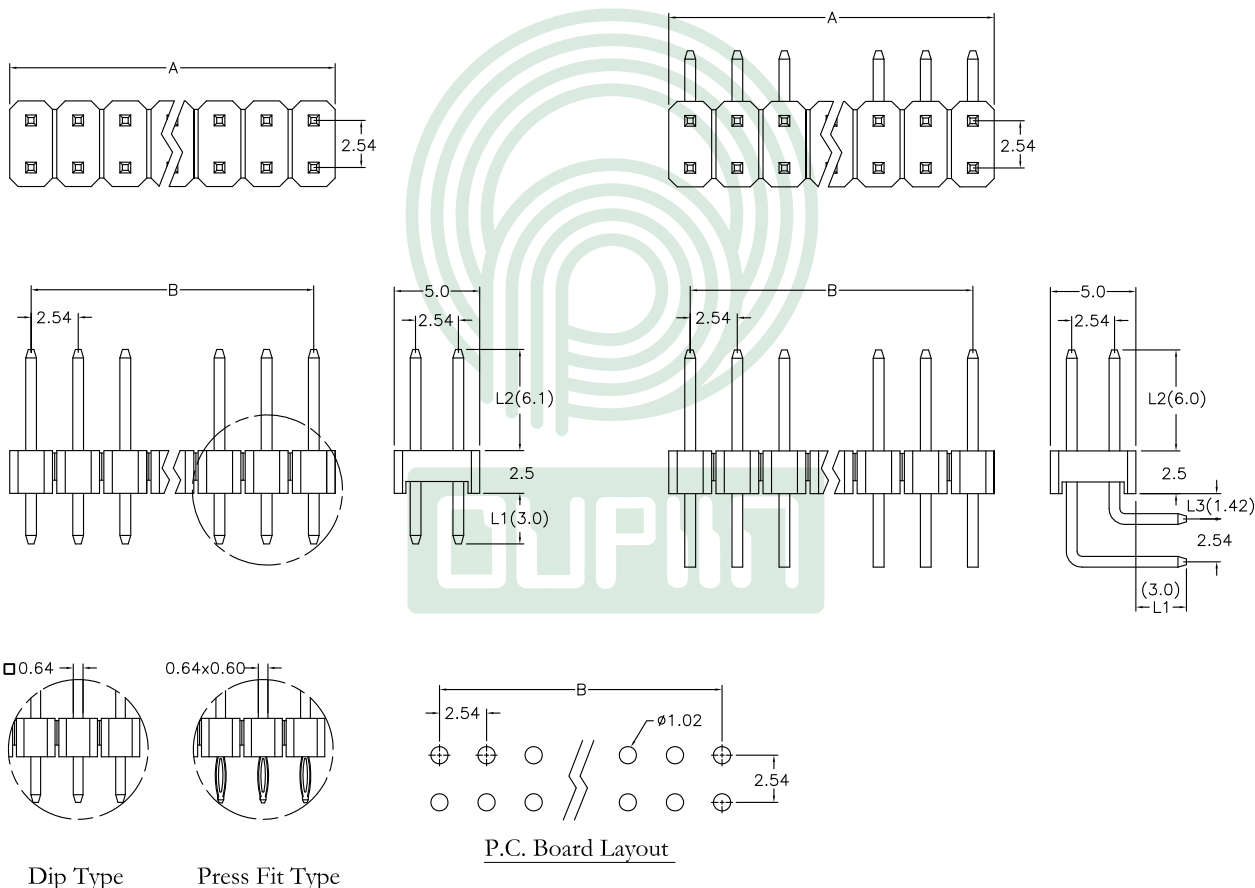
* Available in Straight , Right Angle and Press Fit

* Side-to-side and end-to-end stackable.

* Custom design offered.

* Additional plating options available.

Mates with: 1001,2006,2041,2042,2043,2044,2045
2046,2047,2048,2049.



Position Dimension	4 Thru 80
A	2.54 X No. of Positions /2-0.25
B	2.54 X No. of Positions /2-2.54

Ordering information

2011- Series
 2 Double Row
 X No. of Pin Per Row
 40
 G G: Gold Plated
 00 00: G/F
 S S: Straight R: Right Angle
 P Blank: Dip Type P: Press Fit Type
 B B: Bulk Package

Custom Design: Straight (i.e. 2011-2 X 40 G00S-L1-L2); Right Angle (i.e. 2011-2 X 40 G00R-L1-L2-L3).

L1: Dip Length; L2: Mating Length; L3: Extended Length (currently only 1.42mm available).

* Consult factory for Right Angle press fit drawing.