



Buzzer

# BZ AC BUZZER

### FEATURES

- Operates on 50 or 60 Hz AC Voltage
- Molded Rynite® Class F Coil
- Will Operate Continuously without Overheating
- Easy Single Screw Mounting

### CONTACT DATA/ORDERING INFORMATION

NOMINAL VOLTAGE	BUZZER P/N	RESISTANCE IN OHMS ± 10%	NOMINAL COIL POWER
6VAC	20000-80	5.0	3.0VA
12VAC	20000-81*	20	
24VAC	20000-82*	80	
120VAC	20000-83*	2025	
208VAC	20000-85	6000	
240VAC	20000-84*	8000	

\* Black Items Are Normally Stocked.

Blue Items Are Non Stock. Minimum Quantity May Be Required.

UL RECOGNIZED FILE NO.: S1101

CSA CERTIFIED FILE NO.: 41227

(For Signal Appliances, Fire Alarm Equipment)



### DIELECTRIC STRENGTH

1500 VRMS, 60 Hz Between All Elements

### COIL DATA

**Coil Voltages:** AC Only: Up to 277 Volts/60 Hz

**Coil Treatment:** Molded Rynite® Std. Class F

**UL Insulation System File No.:** E74443

S155D 155°C Total Temperature Std.

(Covers S105 Class A and S130D Class B Requirements)

### OPERATE DATA

**Operating Voltage:** ±15% of Nominal

**Sound Pressure Level:** (Nominal Voltage)

93 dBA at 15 cm (Average)

74 dBA at 1.0 Meters (Average)

Per ANSI S1.13 – 1971

### ENVIRONMENTAL DATA

**Operating Ambient:** -45° to 110°C

**Coil Temperature Rise:** (25°C Ambient – Continuous Duty)

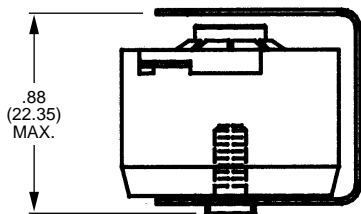
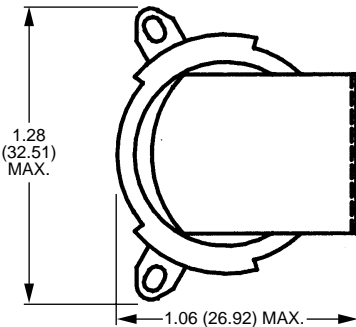
45°C Approx. @ 60 Hz – Use at 50 Hz

will Cause Slight Increase in Coil Rise

### MECHANICAL DATA

**Terminals:** Pierced Solder Lugs .187" x .020"

**Weight:** Approx. 1.1 oz. (31 g)



6-32 NC-2B TAP  
.312 (7.92) MIN. DEEP