

SPECIFICATIONS

- VOLTAGERATING:** 30VDC
- CURRENT RATING:** 0.1A
- CONTACT RESISTANCE:** 50 m max.
- INSULATION RESISTANCE:** 10 M min.
- DIELECTRIC STRENGTH:** 500 VR M S
- ELECTRICALLIFE:** 10,000 cycles
- MECHANICALLIFE:** 10,000 cycles
- TRAVEL TO LOCK:** 1.2 mm
- OVERALL TRAVEL:** 1.7 mm
- OPERATING FORCE:** 250 ± 100 gf
- OPERATING TEMPERATURE RANGE:** -10° to +60°C

CIRCUIT: DPDT

FUNCTIONS AVAILABLE

- GR = Interlocking
- OA = Momentary
- EE = Latching
- S = Shorting (MBB)
- N = Non-Shorting (BBM)

MATERIALS

- HOUSING COVER:** Acetal UL94-HB (Standard)
- HOUSING CASE:** P.B.T. UL94-V0 (Valox)
- PLUNGER MATERIAL:** Acetal UL94-HB (Standard)
- CONTACTS AND TERMINALS:** Silver Plated Copper Alloy

The JN pushbuttons are DPDT switches that offer momentary, latching, or interlocked configurations. Available features include:

- Shorting (MBB) or Non-Shorting (BBM) versions
- Individual or chassis mounting
- Up to 6 modules per chassis
- Available Spacing: 12.5, 15, and 20 mm center to center
- Snap-on caps in a variety of shapes and colors.

HOW TO ORDER INDIVIDUAL MODULES

| Series | Pole | Mechanical Configuration | Timing | Contact Material | Cap | Cap Color |
|--------|-------------|---------------------------------|--------------------|--|---|---|
| JN | 2U | EE | S | AG | TAG | Chr |
| | 2U = 2 Pole | EE = Latching OA = Momentary | N = BBM S = MBB | AG = Silver | TAA1 TAB2 TAC1 TAD1 TAE1 TAG2 TAK3 TAL3 TAM4 TA12 TA2800 ⁵ | Blk Wht Gry Red Blu Chr Blk Gry Yel Blu Red Grn Wht |
| | | | | ¹ Blk, Gry, Wht, Red Only ² Blk, Gry, Wht, Red, Chr Only ³ Blk & Gry Only ⁴ Blk, Gry, Wht Only ⁵ Blk & Red Only | .08 .09 .094 | |

Example:

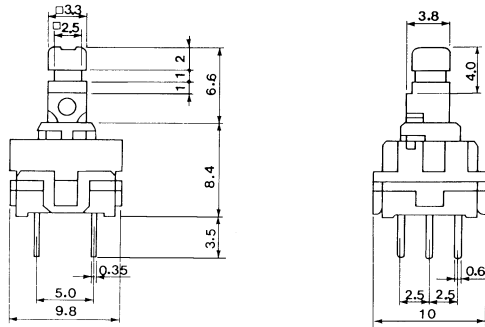
JN → 2U → EE → S → AG → TAG → Chr

SPECIFICATIONS SUBJECT TO CHANGE WITHOUT NOTICE.

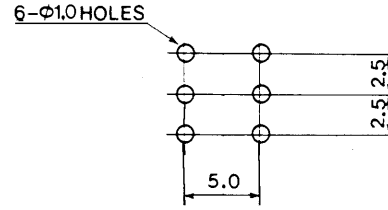
PUSHBUTTON SWITCHES

SERIES JN

JN2U

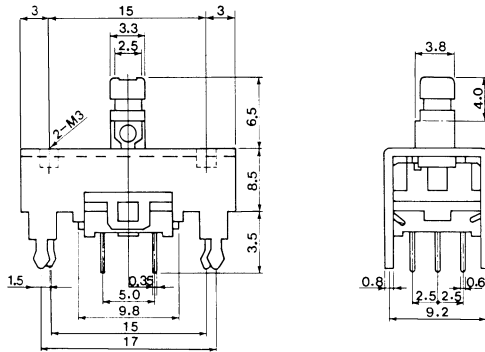


P.C. MOUNTING

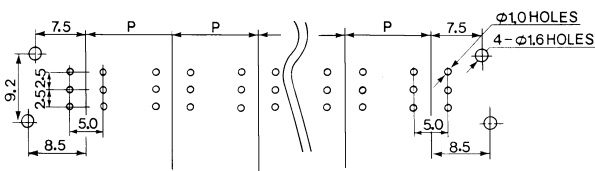
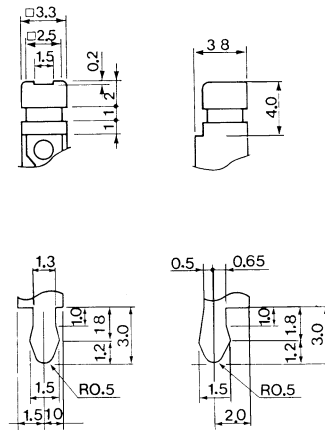
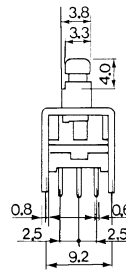
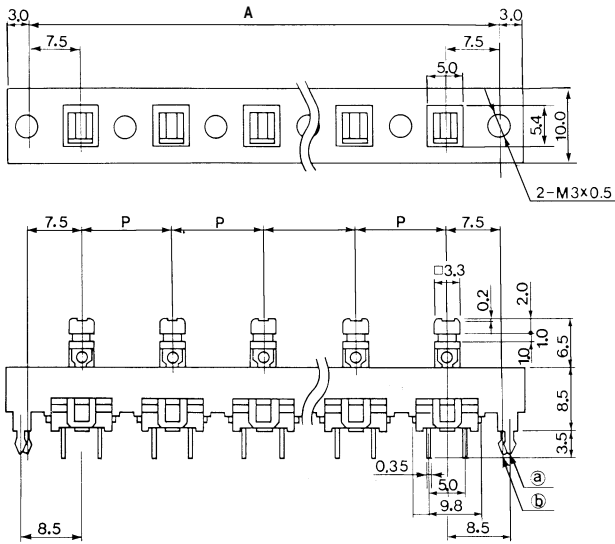
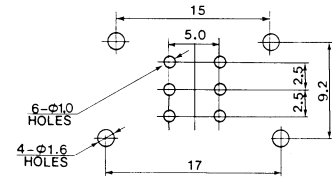


CHASSIS & ASSEMBLY

IXJN002U — —



P.C. MOUNTING



| Number of Stations | 'A' Dimension | | | | | |
|--------------------|---------------|------|----|------|----|------|
| | 1 | 2 | 3 | 4 | 5 | 6 |
| P (Pitch) in mm. | 12.5 | 27.5 | 40 | 52.5 | 65 | 77.5 |
| | 15 | 30 | 45 | 60 | 75 | 90 |
| | 20 | 35 | 55 | 75 | 95 | 115 |

SPECIFICATIONS SUBJECT TO CHANGE WITHOUT NOTICE.

HOW TO ORDER ASSEMBLIES

| Number of Switches Per Chassis | Series | Chassis Spacing | Cap | Cap Color | Pole | Mechanical Configuration | Exceptions to Part Number By Station |
|--------------------------------|--------|---|---|---|------------|--|--------------------------------------|
| 1 2 3 4 5 6 | JN | In mm: 00=Single Key Chassis 12.5 (.492) 15 (.591) 20 (.787) | TAA ¹ TAB ² TAC ¹ TAD ¹ TAE ¹ TAG ² TAK ³ TAL ³ TAM ⁴ TA12 TA2800 ⁵ .08 .09 .094 | Blk Wht Gry Red Blu Chr Blk Gry Yel Blu Red Grn Wht | 2U= 2 Pole | EE= Latching OA= Momentary GR= Interlocked | See below for procedure |

¹Blk, Gry, Wht, Red Only
²Blk, Gry, Wht, Red, Chr Only
³Blk & Gry Only
⁴Blk, Gry, Wht Only
⁵Blk & Red Only

Exceptions to Part Number:
 List By Chassis Station #
 examples: Station1=2UOA
 Station3=TAA/Red

Example:

4x → JN → 15 → (TAB/Chr) → 2U → EE

SPECIFICATIONS SUBJECT TO CHANGE WITHOUT NOTICE.