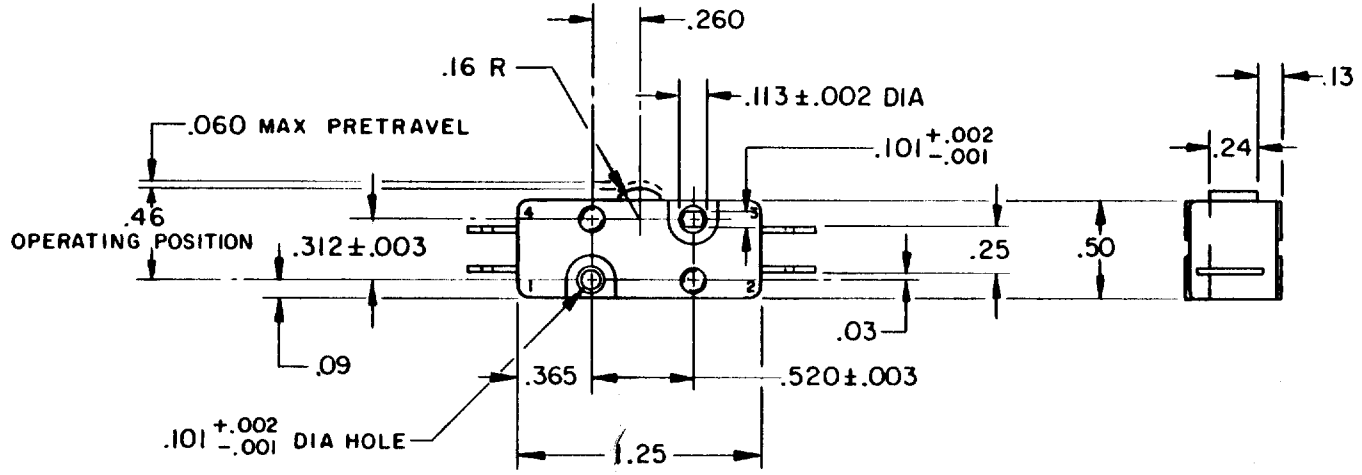
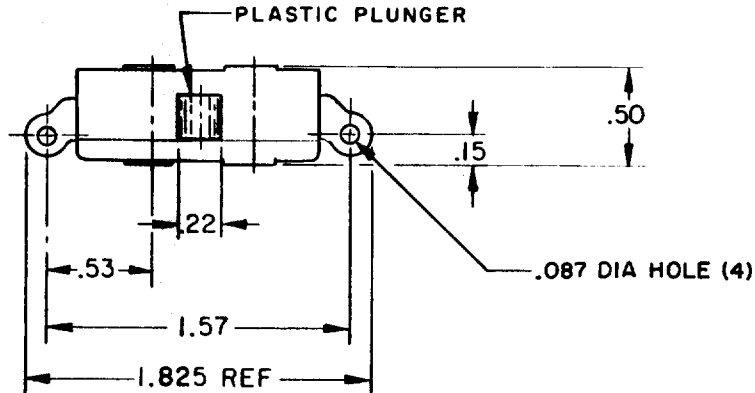


M 1TB28-2  
 DRAWING NUMBER  
 ISSUE 2 X 5  
 REVISIONS  
 A 0023510  
 ORD 19 DEC 67  
 B C033498  
 D B W 14 MAY 74  
 C C036022  
 R E R 29 OCT 75  
 D C059824  
 J A S 18 SEPT 86  
 CHECK  
 L S D 11 MAY 66  
 R E R 9 MAY 66  
 DRAWN  
 FC-50376



**NOTE**  
 1- TERMINALS ARE PLATED FOR SOLDERING  
 2- TERMINALS 1 AND 2 PLATED FOR SOLDERING  
 3- TERMINALS 3 AND 4 NORMALLY OPEN CIRCUIT



CIRCUIT DIAGRAM

THIS DRAWING COVERS A PROPRIETARY ITEM AND IS THE PROPERTY OF MICRO SWITCH, A DIVISION OF HONEYWELL. THIS DRAWING IS NOT TO BE COPIED OR USED WITHOUT THE APPROVAL OF MICRO SWITCH.

CHARACTERISTICS	ELECTRICAL DATA	SCALE FULL
OPERATING FORCE----- 7-13 OZ	CONTACT ARRANGEMENT SEE CIRCUIT DIAGRAM	DO NOT SCALE PRINT
RELEASE FORCE----- 4 OZ MIN	L25 10A-125 OR 250 VAC 1/2HP-125 VAC 	UNLESS OTHERWISE NOTED DIMENSIONS ARE IN INCHES
DIFFERENTIAL TRAVEL---- .010-.025		<b>TOLERANCES ARE:</b>
OVERTRAVEL----- .010 MIN		ONE PLACE (.0) ±.030 TWO PLACE (.00) ±.015 THREE PLACE (.000) ±.005 ANGLES ±
		WEIGHT .02 LB