



MEC's exclusive snap-on keycap in 10.4 mm total height. Optimized for use with foil overlays.

The 1JS keycaps are available in nine standard colours: 00 blue/02 green/03 grey/04 yellow/06 white/08 red/09 black/11 transparent/16 frosted white.

In combination with the switch the 1JS becomes the lowest illuminated keycap possible; especially designed for foil overlays and featuring soft edges for extended foil overlay lifetime. The 1JS 11 transparent/16 frosted white has superior illumination potential when combined with the newest Multimec 5G switch. The switch can be either surface mount or through-hole. Cap retention is optimized with an innovative "snap-on" system.



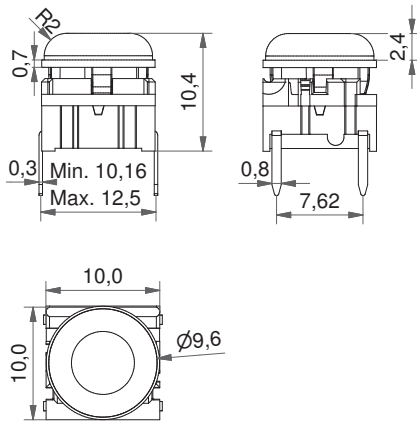
Distributor:

### Technical Data:

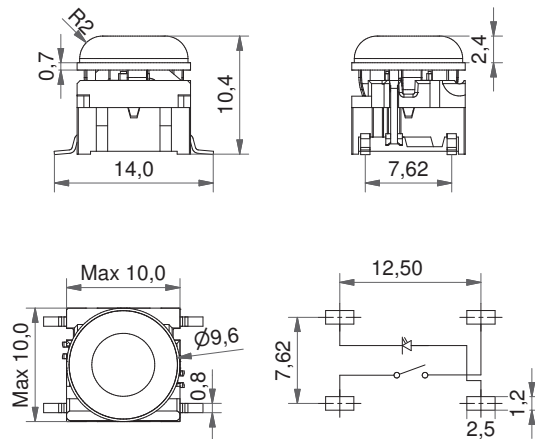
- through-hole or SMD
- 50mA/24VDC
- single pole/momentary
- 10.000.000 operations lifetime
- IP67 sealing
- temperature range:  
LED: -30/+85°C  
solid cap: +65°C  
transparent: +85°C
- actuation force: 2,0, 3,5, 6,5 N



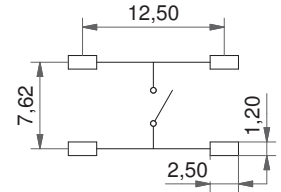
### Dimensions (through-hole)



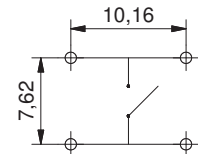
### Dimensions (SMD w/LED)



### PCB Layout SMD



### PCB Layout TH



### HOW TO ORDER

<b>5 G</b>	<input type="checkbox"/>	<input type="checkbox"/>	<input type="checkbox"/>	+	<b>1 J S</b>	<input type="checkbox"/>
<b>Switch</b>	<b>Mounting</b>	<b>Actuation force</b>	<b>LED</b>		<b>Cap</b>	<b>Colour code</b>
	TH9 through-hole SH9 surface mount	20 35 65	01 blue 22 green 42 yellow 61 white 82 red 2242 green/yellow 8222 red/green		1JS transparent	11 transparent 16 frosted white

<b>5 G</b>	<input type="checkbox"/>	<input type="checkbox"/>	+	<b>1 J S</b>	<input type="checkbox"/>
<b>Switch</b>	<b>Mounting</b>	<b>Actuation force</b>		<b>Cap</b>	<b>Colour code</b>
	TH9 through-hole SH9 surface mount	20 35 65		1JS solid colour	00 blue 02 green 03 grey 04 yellow 06 white 08 red 09 black

Dimensions (mm) Unless otherwise specified, all tolerances +/- 0,2

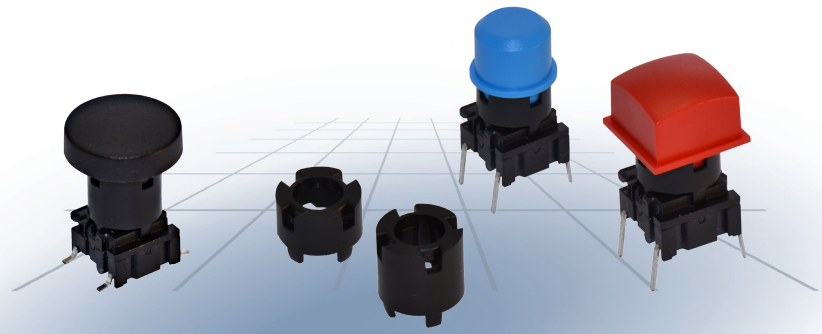
**Ordering example:** 5GTH935+1JS08 without illumination  
5GTH93501+1JS16 with illumination

See colour codes on our website: [www.mec.dk](http://www.mec.dk)

For product updates and/or changes of specifications please see [www.mec.dk](http://www.mec.dk)

### Technical Data:

- through-hole or SMD
- 50mA/24VDC
- single pole/momentary
- 10.000.000 operations lifetime
- IP67 sealing
- temp. range: switch: -40/+160°C  
LED: -30/+85°C  
solid keycap: -40/+65°C  
transparent keycap: -40/+85°C
- actuation force: 2.0, 3.5, 6.5 N



Dimensions (2SS)	Dimensions (SMD) + 1GCS	Dimensions (SMD) + 1DS	Dimensions (TH) + 1TS
<p>5mm, 6mm, 7mm, 8mm, 9mm, 10mm</p>			

### HOW TO ORDER

<b>5 G</b>	<input type="text"/>	<input type="text"/>	<input type="text"/>	+	<input type="text"/>	+	<b>2 S S 0 9 -</b>	<input type="text"/>	<b>. 0</b>
<b>Switch</b>	<b>Mounting</b>	<b>Actuation force</b>	<b>(LED)</b>		<b>Cap</b>		<b>Extender 2SS height</b>		
	<b>TH9</b> through-hole <b>SH9</b> surface mount	<b>20</b> <b>35</b> <b>65</b> <b>Q*</b>	<b>01</b> blue <b>22</b> green <b>42</b> yellow <b>61</b> white <b>82</b> red <b>2242</b> green/yellow <b>8222</b> red/green <b>8242</b> red/yellow		See the table below		<b>05.0</b> <b>06.0</b> <b>07.0</b> <b>08.0</b> <b>09.0</b> <b>10.0</b>		

### 2SS can be used with all 5G-type snap-on caps

All 2SS extenders are stackable giving the possibility to match most overall heights.

Keycap	Original height	Height with a single extender
1DS/1ES/1FS	14.9	19.9-24.9
1GAS/1GCS	12.5	17.5-22.5
1KS/1KBS/1KCS	19.1; 20.2; 20.1	24,1; 25,2; 25,1- 29,1; 30,2; 30,1
1NS	14.9	19.9-24.9
1TS/1US/1VS	14.9	19.9-24.9
1WAS/1WDS/1WPS	15.7	20.7-25.7
1XS	18.5	23.5-28.5
1ZCS	11.7	16.7-21.7

\*Only available for actuation force 2.0N (20) and the letter Q is added to the end of the switch part number. See the ordering example.

Dimensions (mm) Unless otherwise specified, all tolerances +/- 0,2

**Ordering example:** 5GTH935+1GAS09+2SS09-06.0  
\*5GSH920Q or 5GTH92082Q (quiet version)

See colour codes on our website: [www.mec.dk](http://www.mec.dk)

For updates of products and/or changes of specifications please see [www.mec.dk](http://www.mec.dk)