

193 Series - Dry Miniature Reed

Up to 4PDT, 0.5 Amp

The 193 series is a unique series of dry reed relays easily customized for special needs. Customers can choose up to four pole double throw in a single package. All poles are operated by a single coil to reduce power consumption. Maximum switching capacity is 0.5 amps at 200VDC. Rhodium contact material provides long life at FAST switching speeds.

GENERAL SPECIFICATIONS (@ 25° C)

Contacts:

| | |
|-----------------------------|--------------------------|
| Contact Configuration | Up to 4PDT |
| Contact Material | Rhodium |
| Contact Rating | xPDT xPST |
| Load (maximum) | 4VA 10VA |
| Switching Voltage (maximum) | 100VDC 200VDC |
| Switching Current (maximum) | 0.5 Amp |
| Carry Current (maximum) | 1 Amp 2 Amp |
| Contact Resistance, Initial | 200 milliohms max @ 6VDC |

Coil:

| | |
|------------------------------|------------------------|
| Coils Available | DC |
| Coil Power | Varies |
| Input Voltage Tolerance - DC | 80% to 110% of nominal |
| Drop-out voltage | 10% of nominal |
| Duty | Continuous |

Timing:

| | |
|---|-----|
| Operate Time (typical w/o suppression) | 1ms |
| Release Time (typical w/o suppression) | 1ms |

Dielectric Strength:

| | |
|-----------------------------------|-----------------------|
| Across Open Contacts | 200VDC |
| Between Mutually Insulated Points | 500VDC |
| Insulation Resistance | 1000 megohms @ 100VDC |

Capacitance:

| | |
|----------------------|-----|
| Across Open Contacts | 3pF |
|----------------------|-----|

Temperature:

| | |
|-----------|-----------------------------|
| Operating | -40 to 85°C (-40 to 185°F) |
| Storage | -40 to 105°C (-40 to 221°F) |

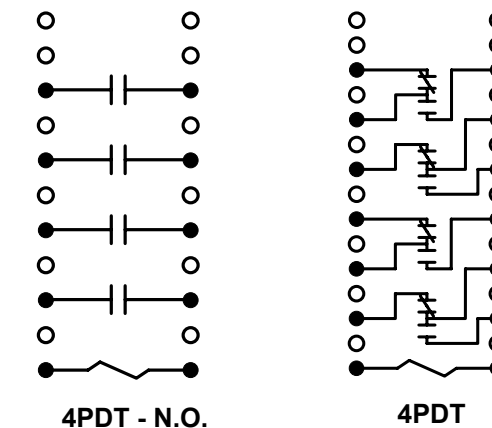
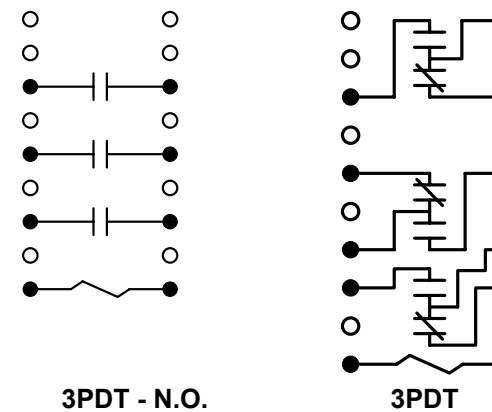
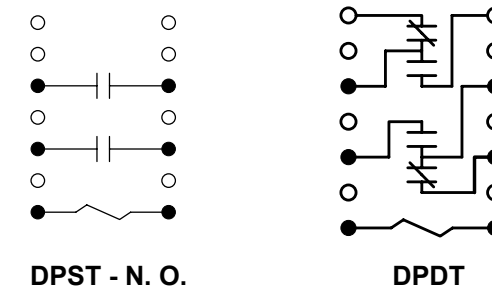
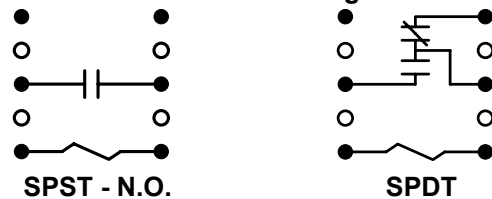
Life Expectancy:

| | |
|-----------------------------------|-------------|
| Electrical (full load operations) | 10,000,000 |
| Mechanical (no load operations) | 100,000,000 |

Miscellaneous:

| | |
|-------------------|--------------------|
| Enclosure | Epoxy Encapsulated |
| Mounting Position | Any |
| Weight | Varies |

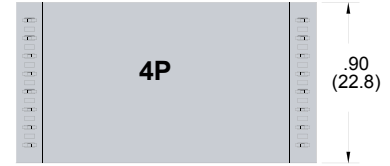
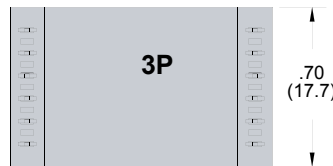
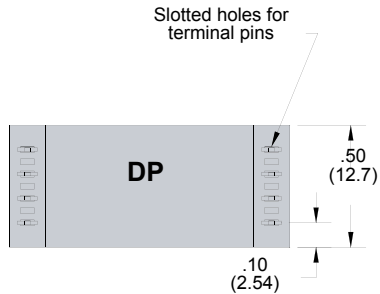
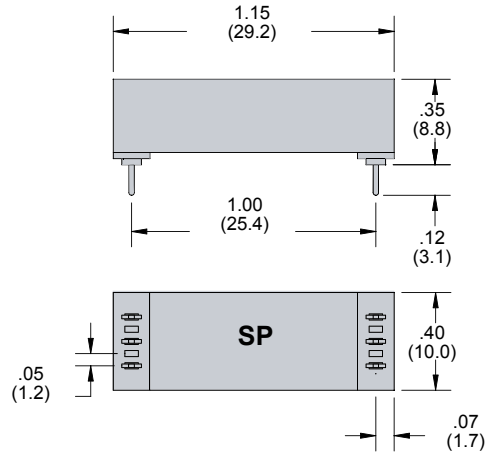
193 Wire Diagram



Reed Relays

Outline Dimensions

Dimensions Shown in inches & (millimeters)



193 Part Number Chart

| Part number | Nominal input voltage | Maximum pull-in | Minimum dropout | Nominal resistance (ohms) | Nominal power (mW) | Maximum Contact Rating | | |
|--------------------|-----------------------|-----------------|-----------------|---------------------------|--------------------|------------------------|-------------------------------|----------------------|
| | | | | | | Maximum switching load | Switching current and voltage | Carry current (Amps) |
| SPST - N.O. | | | | | | | | |
| 193RE1A3-5S | 5 | 4 | 0.5 | 500 | 50 | 10VA | 0.5 Amps 200VDC | 2 Amps |
| 193RE1A3-12G | 12 | 9 | 1 | 420 | 350 | | | |
| 193RE1A3-24G | 24 | 18 | 2 | 2300 | 250 | | | |
| SPDT | | | | | | | | |
| 193RE1C3-5S | 5 | 4 | 0.5 | 350 | 70 | 4VA | 0.5 Amp 100VDC | 1 Amps |
| 193RE1C3-12G | 12 | 9 | 1 | 420 | 350 | | | |
| 193RE1C3-24G | 24 | 18 | 2 | 2300 | 250 | | | |
| DPST - N.O. | | | | | | | | |
| 193RE2A3-6G | 5 | 4 | 0.5 | 70 | 360 | 10VA | 0.5 Amp 200VDC | 2 Amps |
| 193RE2A3-12G | 12 | 9 | 1 | 280 | 500 | | | |
| 193RE2A3-24G | 24 | 18 | 2 | 1500 | 390 | | | |
| DPDT | | | | | | | | |
| 193RE2C3-6G | 5 | 4 | 0.5 | 70 | 360 | 4VA | 0.5 Amp 100VDC | 1 Amps |
| 193RE2C3-12G | 12 | 9 | 1 | 280 | 500 | | | |
| 193RE2C3-24G | 24 | 18 | 2 | 1500 | 390 | | | |

*Call for 3 and 4 pole