

PLEASE CHECK WWW.MOLEX.COM FOR LATEST PART INFORMATION

Part Number: **0190020019**
Status: **Active**
Overview: Standard Quick-Disconnect Terminals
Description: Avikrimp Fully Insulated Quick Disconnect, Female, for 18-22 AWG Wire, Box

Documents:

3D Model	Product Specification PS-19902-013-001 (PDF)
3D Model (PDF)	Product Specification PS-19902-014-001 (PDF)
Drawing (PDF)	RoHS Certificate of Compliance (PDF)
Product Specification PS-19902-011-001 (PDF)	

Agency Certification

UL E79133

General

Product Family	Quick Disconnects
Series	19002
Crimp Quality Equipment	Yes
Insulated	Fully
Overview	Standard Quick-Disconnect Terminals
Product Name	Avikrimp
Type	Quick Disconnect
UPC	800753027206

Physical

Barrel Type	Closed
Color - Resin	Red
Flammability	94V-2
Gender	Female
Glow-Wire Capable	No
Insulation	Nylon (PA)
Lock to Mating Part	None
Material - Metal	Brass
Material - Plating Mating	Tin
Material - Plating Termination	Tin
Net Weight	0.871/g
Orientation	Straight
Packaging Type	Bag
Polarized to Mating Part	No
Tab Thickness	0.51mm
Tab Width	5.21mm
Temperature Range - Operating	-65° to +105°C
Wire Insulation Diameter	3.17mm max.
Wire Size AWG	18, 20, 22

Electrical

Voltage - Maximum 300V

Solder Process Data

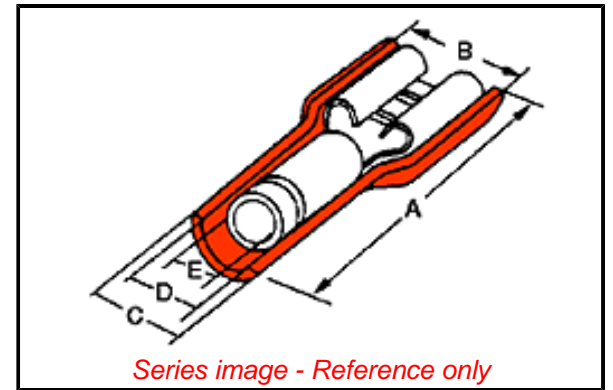
Lead-free Process Capability N/A

Material Info

Engineering Number AA-5283

Reference - Drawing Numbers

Product Specification	PS-19902-011-001, PS-19902-013-001, PS-19902-014-001
Sales Drawing	SD-19002-003-001



EU ELV

Not Relevant

EU RoHS

Compliant

REACH SVHC

Contained Per -
D(2020)4578-DC (25
June 2020)
henicosafuoroundecanoic
acid
disodium 4-
amino-3-[[4'-[(2,4-
diaminophenyl)azo]
chromium trioxide
1,3-propanesultone
1-vinylimidazole
4,4'-methylenedi-o-
toluidine
dibutyltin dichloride
methoxyacetic acid
diisopentylphthalate
disodium 3,3'-[[1,1'-
biphenyl]-4,4'-
diylbis(azo)
octamethylcyclotetrasiloxane
benzene-1,2,4-
tricarboxylic acid 1,2-
anhydride
decamethylcyclopentasiloxane
dodecamethylcyclohexasiloxane
heptacosafuorotetradecanoic
acid
tricosafuorododecanoic
acid
di-n-pentyl phthalate
(DPP)
6-methoxy-m-toluidine
furan
1-bromopropane
nitrobenzene
4-o-tolylazo-o-
toluidine
ethylene thiourea

China RoHS

4-methyl-m-phenylenediamine
o-toluidine
butyl 4-hydroxybenzoate
dinoseb (ISO)
dihexyl phthalate (DnHP)
dicyclohexyl phthalate
N-methylacetamide
dimethyl sulphate
diethyl sulphate
4-aminoazobenzene
Fatty acids, C16-18, lead salts
[phthalato(2-)]dioxotrilead
Silicic acid (H₂Si₂O₅), barium salt (1:1), lead-
Perfluorohexane-1-sulphonic acid and its salts
5-sec-butyl-2-(2,4-dimethylcyclohex-3-en-1-yl)-5
1,2-benzenedicarboxylic acid, di-C6-10-alkyl est
Cadmium sulphate
Sodium perborate; perboric acid, sodium salt
hexahydro-2-benzofuran-1,3-dione
4-(1,1,3,3-tetramethylbutyl)phenol, ethoxylated
Perfluorononan-1-oic acid
(2,2,3,3,4,4,5,5,6,6,7
Reaction
products of 1,3,4-thiadiazolidine-2,5-d
Dodecachloropentacyclo[12.2.1.16,9.02,13.05,10]o
Chrysene
Cadmium nitrate
Pyrene
Tris(4-nonylphenyl, branched and linear)
phosphi
2,3,3,3-tetrafluoro-2-(heptafluoropropoxy)propio
4-(1,1,3,3-tetramethylbutyl)phenol, ethoxylated
Trixylyl phosphate
Zirconia
Aluminosilicate
Refractory Ceramic
Fibr
Aluminosilicate
Refractory Ceramic
Fibres
Boric acid

Disodium tetraborate
Hydrazine
1,3-BENZENEDIOL,
TRINITRO-, LEAD
SALT
n-pentyl-
isopentylphthalate
3-ethyl-2-methyl-2-
(3-methylbutyl)-1,3-
oxazolidi
1,2-
benzenedicarboxylic
acid, dipentylester,
bra
pentacosafuorotridecanoic
acid
1,2-
Benzenedicarboxylic
acid, dihexyl ester,
bra
Terphenyl,
hydrogenated
2-(2H-benzotriazol-2-
yl)-4-(tert-butyl)-6-
(sec-b
2-(2H-benzotriazol-2-
yl)-4,6-
ditertpentylphenol
dibutylbis(pentane-2,4-
dionato-O,O')tin
2-ethylhexyl 10-
ethyl-4,4-dioctyl-7-
oxo-8-oxa-3,
disodium octaborate
sodium
peroxometaborate
ammoniumpentadecafluorooctanoate
Sulfurous acid, lead
salt, dibasic
pentazinc chromate
octahydroxide
1,2-dichloroethane
trilead diarsenate
2-methoxyaniline
arsenic acid
N,N-
dimethylacetamide
lead dipicrate
potassium
hydroxyoctaoxidizincatedichromate(1-)
bis(2-methoxyethyl)
ether
calcium arsenate
1,2-
benzenedicarboxylic
acid; di-C6-8-
branched a
N-methyl-2-
pyrrolidone
1,2-
benzenedicarboxylic
acid; di-C7-11-
branched
2-ethoxyethyl acetate
cobalt sulphate

cobalt di(acetate)
cobalt carbonate
tetraboron disodium
heptaoxide, hydrate
sodium chromate
potassium dichromate
potassium chromate
ammonium
dichromate
tris(2-chloroethyl)
phosphate
Lead sulfochromate
yellow
Lead chromate
molybdate sulfate red
lead chromate
Anthracene oil,
anthracene-low;
Anthracene Oil F
Anthracene oil,
anthracene paste,
distn. lights;
Anthracene oil,
anthracene paste,
anthracene fra
Anthracene oil,
anthracene paste;
Anthracene Oil
Butylbenzylphthalate
(BBP)
lead hydrogen
arsenate
bis(2-ethylhexyl)
phthalate (DEHP)
dibutyl phthalate
(DBP)
4,4'-
diaminodiphenylmethane
triethyl arsenate
Acetic acid, lead salt,
basic
cadmium hydroxide
Lead titanium
zirconium oxide
dioxobis(stearato)trilead
tetralead trioxide
sulphate
trilead dioxide
phosphonate
pentalead tetraoxide
sulphate
lead oxide sulfate
Silicic acid, lead salt
cadmium chloride
lead dinitrate
pyrochlore, antimony
lead yellow
cadmium fluoride
cadmium
lead
 α,α -Bis[4-
(dimethylamino)phenyl]-4
(phenylamino)

[4-[[4-anilino-1-naphthyl][4-(dimethylamino)phenyl,3,5-tris(oxiranylmethyl)-1,3,5-triazine-2,4,6(Lead oxide
trilead bis(carbonate) dihydroxide
orange lead
cadmium sulphide
cadmium oxide (non-pyrophoric)
diboron trioxide
bis(pentabromophenyl) ether
4,4'-bis(dimethylamino)-4''-(methylamino)trityl
[4-[4,4'-bis(dimethylamino)benzhydrylidene]cyclcadmium carbonate
1,2-dimethoxyethane
4,4'-bis(dimethylamino)benzophenone
dichromium
tris(chromate)
phenolphthalein
lead diazide
bis(2-methoxyethyl)
phthalate
Formaldehyde,
polymer with
benzenamine

Halogen-Free

Status

Low-Halogen

For more information, please visit [Contact US](#)

China ROHS	Green Image
ELV	Not Relevant
RoHS Phthalates	Not Contained

Search Parts in this Series

[19002 Series](#)

Application Tooling | [FAQ](#)

Tooling specifications and manuals are found by selecting the products below. Crimp Height Specifications are then contained in the Application Tooling Specification document.

Global

Description	Product #
Hand Crimp Tool	640010800
Crimp Head for the AT-200 Pneumatic Hand Tool	640050800

PLEASE CHECK WWW.MOLEX.COM FOR LATEST PART INFORMATION