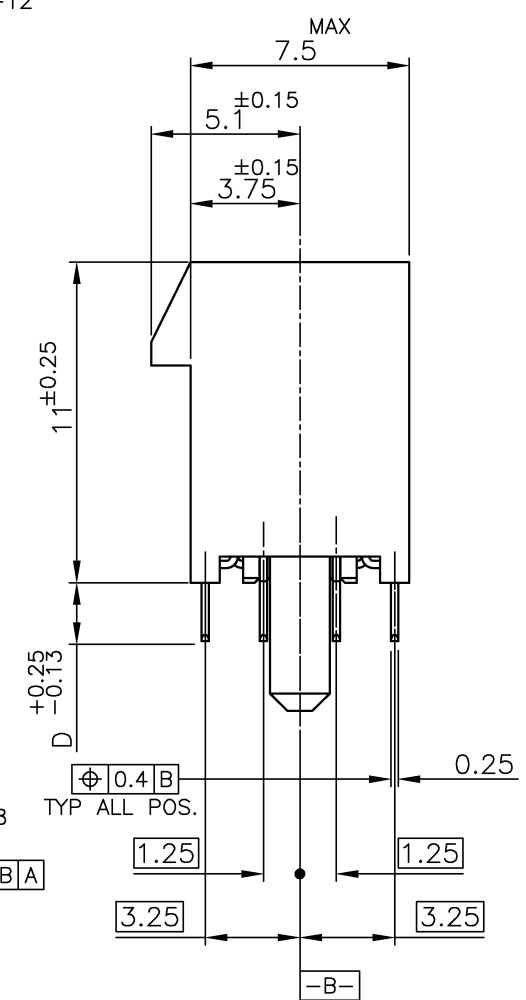
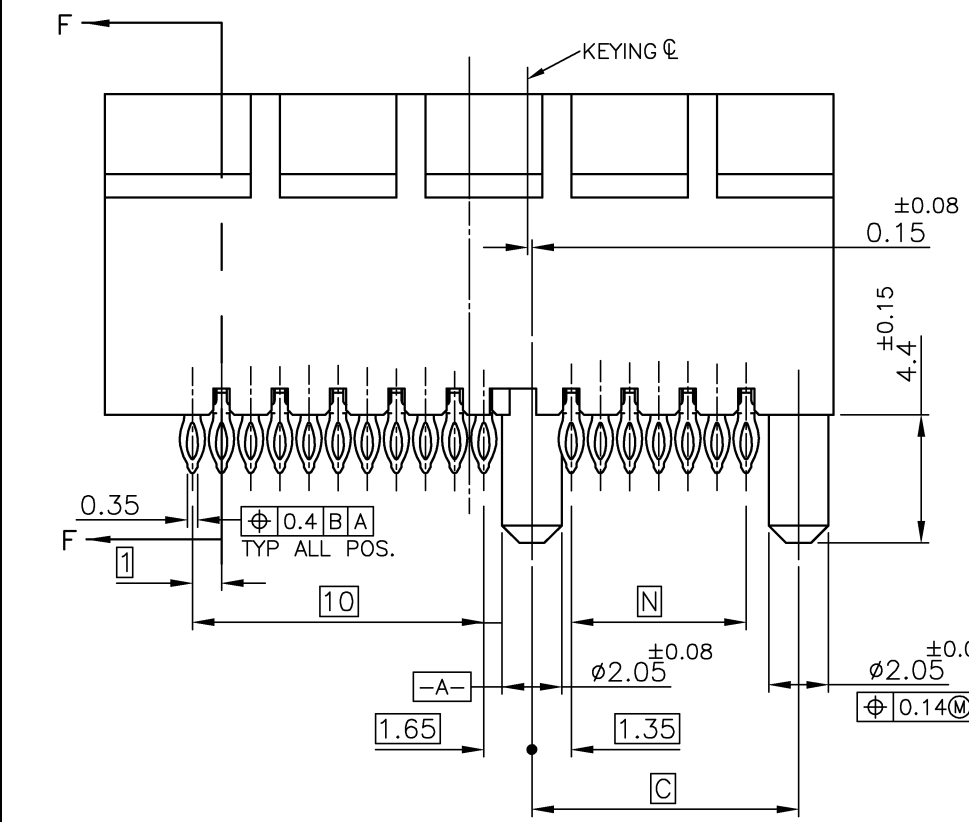
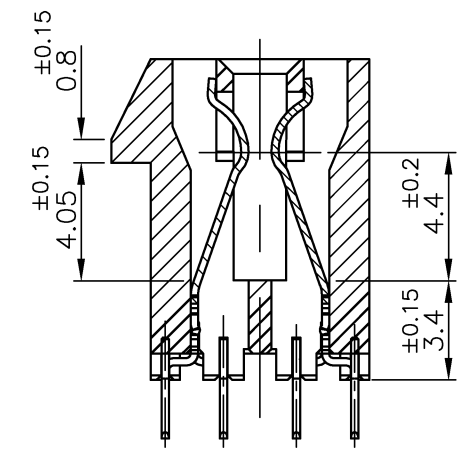
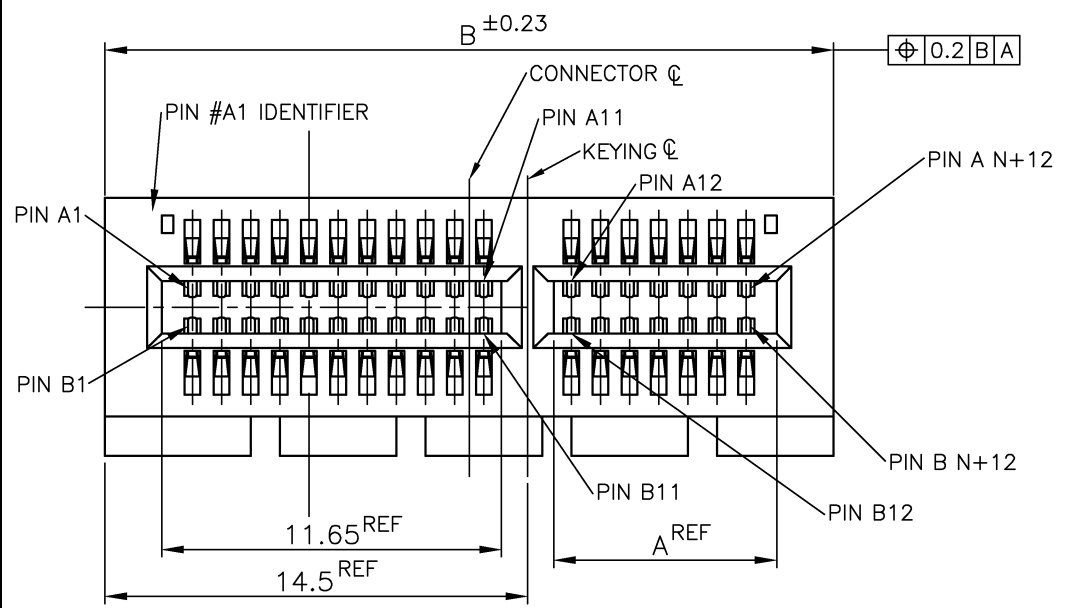


LOC	DIST	REVISIONS					
J		P	LTR	DESCRIPTION	DATE	DWN	APVD
		E1	REVISED		20OCT2010	K.M	E.T

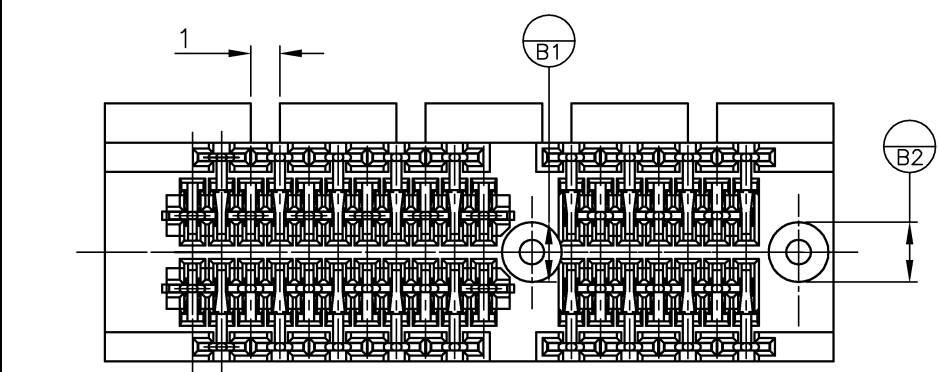
D
C
B
A



- 1 MATERIAL;
HOUSING: HIGH TEMPERATURE THERMO PLASTIC
UL94V-0, COLOR; BLACK
CONTACT: COPPER ALLOY
- 2 FINISH;
CONTACT AREA: GOLD PL. 0.76 μm MIN OVER NICKEL PL.
COMPLIANT PIN ACTION AREA: 0.5 μm MIN MATTE TIN OVER NICKEL PL.
- 3 NOT SPECIFY BY PCI EXPRESS STANDARD
- 5 FINISH;
CONTACT AREA: GOLD PL. 0.76 μm MIN OVER NICKEL PL.
COMPLIANT PIN ACTION AREA: 0.5 μm MIN BRIGHT TIN-LEAD OVER NICKEL PL.
- 12 FINISH;
CONTACT AREA: GOLD PL. 0.38 μm MIN OVER NICKEL PL.
COMPLIANT PIN ACTION AREA: 0.5 μm MIN MATTE TIN OVER NICKEL PL.

13 CONNECTOR HAS MET THE REQUIREMENTS PER PCI EXPRESS GEN 2 TECHNICAL DOCUMENT.

12	PRODUCING	70	↑	73.15	89	71.65	164	16	5-	↑	-4
↑	PRODUCING	70		73.15	89	71.65	164	16	3-		-4
5	PRODUCING	37		40.15	56	38.65	98	8	3-		-3
3	PRODUCING	128		131.15	147	129.65	280	/	1-		-5
	PRODUCING	70		73.15	89	71.65	164	16	1-		-4
	PRODUCING	37	3.25	40.15	56	38.65	98	8	1-1871058		-3
	PRODUCING	20	↑	23.15	39	21.65	64	4	1-	↑	-2
	PRODUCING	6	3.25	9.15	25	7.65	36	1	1-		-1
3	PRODUCING	128	↑	131.15	147	129.65	280	/			-5
	PRODUCING	70		73.15	89	71.65	164	16			-4
	PRODUCING	37	2.0	40.15	56	38.65	98	8		1871058-3	
	PRODUCING	20	↑	23.15	39	21.65	64	4		↑	-2
2	PRODUCING	6	2.0	9.15	25	7.65	36	1		1871058-1	
FINISH	TOOLING STATUS	N	D	C	B	A	POS	PORT	P/N		



THIS DRAWING IS A CONTROLLED DOCUMENT.

DIMENSIONS: 単位: 耗 mm	TOLERANCES UNLESS OTHERWISE SPECIFIED: 一般公差 ±0.3 ±2	DWN T.KATANO 02DEC05	Tyco Electronics Corporation Kawasaki, Japan	
	0-PLC ± 1-PLC ± 2-PLC ± 3-PLC ± 4-PLC ± ANGLES ±	CHK R.MURAYAMA 02DEC05	NAME PCI EXPRESS CARD EDGE CONN. WITH COMPLIANT PIN V-TYPE	
MATERIAL 材料	FINISH 仕上 SEE NOTE 2	APVD K.KODAIRA 02DEC05	PRODUCT SPEC 製品規格 108-78340	SIZE A3
		APPLICATION SPEC 取付適用規格	WEIGHT	CAGE CODE 00779
				DRAWING NO C-1871058
				RESTRICTED TO
				SCALE 尺度 4:1
				SHEET 1 OF 2
				REV E1

CUSTOMER DRAWING

