

Low Voltage Chassis Mount *185 Series*

Global Use - 115/230 V Primary



Features

- Dual primary 115/230 VAC
- 50/60 Hz. operation
- Dual secondaries for series or parallel connections
- 4,000 V RMS Hipot test
- Class F insulation (155 degrees, C)
- Chassis mount (either two or four hole depending on size)
- Five VA sizes to choose from
- Dual bobbin construction
- Dual use terminals (solder lug or quick connect)
- C UL US recognized (E207860)
- TUV Type Approved
- CE certified to IEC 950 (Approved to EN 60-742 Safety Isolating Transformers)
- A connection sheet can be downloaded [here](#).

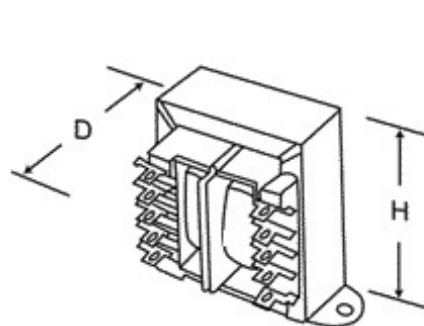


Figure A

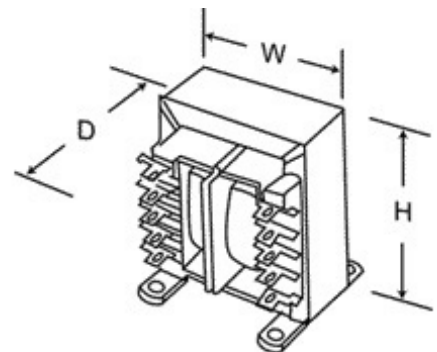


Figure B

Gallery



| Part No. | VA | Secondary VAC (RMS) | | Overall Dimensions | | | | Hole to Hole | | | | |
|---------------|-----|---------------------|----------|--------------------|-------|--------|--------------|--------------|-------|-------|-----------|-----------------|
| | | Series | Parallel | Width | Depth | Height | Weight (lbs) | Width | Depth | Width | Thickness | Mounting Figure |
| 185C10 | 25 | 10V C.T. @2.5A | 5V@5.0A | 2.81 | 2.22 | 2.31 | 1.25 | 2.37 | - | 0.19 | 0.02 | A |
| 185D10 | 43 | 10V C.T. @4.3A | 5V@8.6A | 3.12 | 2.22 | 2.68 | 1.75 | 2.81 | - | 0.19 | 0.02 | A |
| 185E10 | 80 | 10V C.T. @8.0A | 5V@16.0A | 2.50 | 2.61 | 3.00 | 2.50 | 2.00 | 2.18 | 0.19 | 0.02 | B |
| 185F10 | 130 | 10V C.T. @13.0A | 5V@26.0A | 2.81 | 3.07 | 3.37 | 4.00 | 2.25 | 2.50 | 0.25 | 0.03 | B |

| Part No. | VA | Secondary VAC (RMS) | | Overall Dimensions | | | | Hole to Hole | | | | |
|----------|-----|---------------------|------------|--------------------|-------|--------|-------|----------------|----------------|--------------------|------------------------|-----------------|
| | | Series | Parallel | Width | Depth | Height | (lbs) | Mounting Width | Mounting Depth | Terminal Lug Width | Terminal Lug Thickness | Mounting Figure |
| 185G10 | 175 | 10V C.T. @17.5A | 5V@35.0A | 3.12 | 3.20 | 3.75 | 5.00 | 2.50 | 2.50 | 0.25 | 0.03 | B |
| 185C12 | 25 | 12.6V C.T. @2.0A | 6.3V@4.0A | 2.81 | 2.22 | 2.31 | 1.25 | 2.37 | - | 0.19 | 0.02 | A |
| 185D12 | 43 | 12.6V C.T. @3.4A | 6.3V@6.8A | 3.12 | 2.22 | 2.68 | 1.75 | 2.81 | - | 0.19 | 0.02 | A |
| 185E12 | 80 | 12.6V C.T. @6.3A | 6.3V@12.6A | 2.50 | 2.61 | 3.00 | 2.50 | 2.00 | 2.18 | 0.19 | 0.02 | B |
| 185F12 | 130 | 12.6V C.T. @10.3A | 6.3V@20.6A | 2.81 | 3.07 | 3.37 | 4.00 | 2.25 | 2.50 | 0.25 | 0.03 | B |
| 185G12 | 175 | 12.6V C.T. @14.0A | 6.3V@28.0A | 3.12 | 3.20 | 3.75 | 5.00 | 2.50 | 2.50 | 0.25 | 0.03 | B |
| 185C16 | 25 | 16V C.T. @1.6A | 8V@3.2A | 2.81 | 2.22 | 2.31 | 1.25 | 2.37 | - | 0.19 | 0.02 | A |
| 185D16 | 43 | 16V C.T. @2.7A | 8V@5.4A | 3.12 | 2.22 | 2.68 | 1.75 | 2.81 | - | 0.19 | 0.02 | A |
| 185E16 | 80 | 16V C.T. @5.0A | 8V@10.0A | 2.50 | 2.61 | 3.00 | 2.50 | 2.00 | 2.18 | 0.19 | 0.02 | B |
| 185F16 | 130 | 16V C.T. @8.1A | 8V@16.2A | 2.81 | 3.07 | 3.37 | 4.00 | 2.25 | 2.50 | 0.25 | 0.03 | B |
| 185G16 | 175 | 16V C.T. @11.0A | 8V@22.0A | 3.12 | 3.20 | 3.75 | 5.00 | 2.50 | 2.50 | 0.25 | 0.03 | B |
| 185C20 | 25 | 20V C.T. @1.25A | 10V@2.5A | 2.81 | 2.22 | 2.31 | 1.25 | 2.37 | - | 0.19 | 0.02 | A |
| 185D20 | 43 | 20V C.T. @2.2A | 10V@4.4A | 3.12 | 2.22 | 2.68 | 1.75 | 2.81 | - | 0.19 | 0.02 | A |
| 185E20 | 80 | 20V C.T. @4.0A | 10V@8.0A | 2.50 | 2.61 | 3.00 | 2.50 | 2.00 | 2.18 | 0.19 | 0.02 | B |
| 185F20 | 130 | 20V C.T. @6.5A | 10V@13.0A | 2.81 | 3.07 | 3.37 | 4.00 | 2.25 | 2.50 | 0.25 | 0.03 | B |
| 185G20 | 175 | 20V C.T. @8.8A | 10V@17.6A | 3.12 | 3.20 | 3.75 | 5.00 | 2.50 | 2.50 | 0.25 | 0.03 | B |
| 185C24 | 25 | 24V C.T. @1.0A | 12V@2.0A | 2.81 | 2.22 | 2.31 | 1.25 | 2.37 | - | 0.19 | 0.02 | A |
| 185D24 | 43 | 24V C.T. @1.8A | 12V@3.6A | 3.12 | 2.22 | 2.68 | 1.75 | 2.81 | - | 0.19 | 0.02 | A |
| 185E24 | 80 | 24V C.T. @3.3A | 12V@6.6A | 2.50 | 2.61 | 3.00 | 2.50 | 2.00 | 2.18 | 0.19 | 0.02 | B |
| 185F24 | 130 | 24V C.T. @5.4A | 12V@10.8A | 2.81 | 3.07 | 3.37 | 4.00 | 2.25 | 2.50 | 0.25 | 0.03 | B |
| 185G24 | 175 | 24V C.T. @7.3A | 12V@14.6A | 3.12 | 3.20 | 3.75 | 5.00 | 2.50 | 2.50 | 0.25 | 0.03 | B |
| 185C28 | 25 | 28V C..T @0.9A | 14V@1.86A | 2.81 | 2.22 | 2.31 | 1.25 | 2.37 | - | 0.19 | 0.02 | A |
| 185D28 | 43 | 28V C.T. @1.5A | 14V@3.0A | 3.12 | 2.22 | 2.68 | 1.75 | 2.81 | - | 0.19 | 0.02 | A |
| 185E28 | 80 | 28V C.T. @2.8A | 14V@5.6A | 2.50 | 2.61 | 3.00 | 2.50 | 2.00 | 2.18 | 0.19 | 0.02 | B |
| 185F28 | 130 | 28V C.T. @4.6A | 14V@9.2A | 2.81 | 3.07 | 3.37 | 4.00 | 2.25 | 2.50 | 0.25 | 0.03 | B |
| 185G28 | 175 | 28V C.T. @6.25A | 14V@12.5A | 3.12 | 3.20 | 3.75 | 5.00 | 2.50 | 2.50 | 0.25 | 0.03 | B |
| 185C36 | 25 | 36V C.T. @0.7A | 18V@1.4A | 2.81 | 2.22 | 2.31 | 1.25 | 2.37 | - | 0.19 | 0.02 | A |
| 185D36 | 43 | 36V C.T. @1.2A | 18V@2.4A | 3.12 | 2.22 | 2.68 | 1.75 | 2.81 | - | 0.19 | 0.02 | A |
| 185E36 | 80 | 36V C.T. @2.2A | 18V@4.4A | 2.50 | 2.61 | 3.00 | 2.50 | 2.00 | 2.18 | 0.19 | 0.02 | B |
| 185F36 | 130 | 36V C.T. @3.6A | 18V@7.2A | 2.81 | 3.07 | 3.37 | 4.00 | 2.25 | 2.50 | 0.25 | 0.03 | B |
| 185G36 | 175 | 36V C.T. @4.8A | 18V@9.6A | 3.12 | 3.20 | 3.75 | 5.00 | 2.50 | 2.50 | 0.25 | 0.03 | B |
| 185C230 | 25 | 230V C.T. @0.11A | 115V@0.22A | 2.81 | 2.22 | 2.31 | 1.25 | 2.37 | - | 0.19 | 0.02 | A |
| 185D230 | 43 | 230V C.T. @0.19A | 115V@0.38A | 3.12 | 2.22 | 2.68 | 1.75 | 2.81 | - | 0.19 | 0.02 | A |
| 185E230 | 80 | 230V C.T. @0.35A | 115V@0.7A | 2.50 | 2.61 | 3.00 | 2.50 | 2.00 | 2.18 | 0.19 | 0.02 | B |
| 185F230 | 130 | 230V C.T. @0.57A | 115V@1.14A | 2.81 | 3.07 | 3.37 | 4.00 | 2.25 | 2.50 | 0.25 | 0.03 | B |
| 185G230 | 175 | 230V C.T. @0.76A | 115V@1.52A | 3.12 | 3.20 | 3.75 | 5.00 | 2.50 | 2.50 | 0.25 | 0.03 | B |

Data subject to change without notice