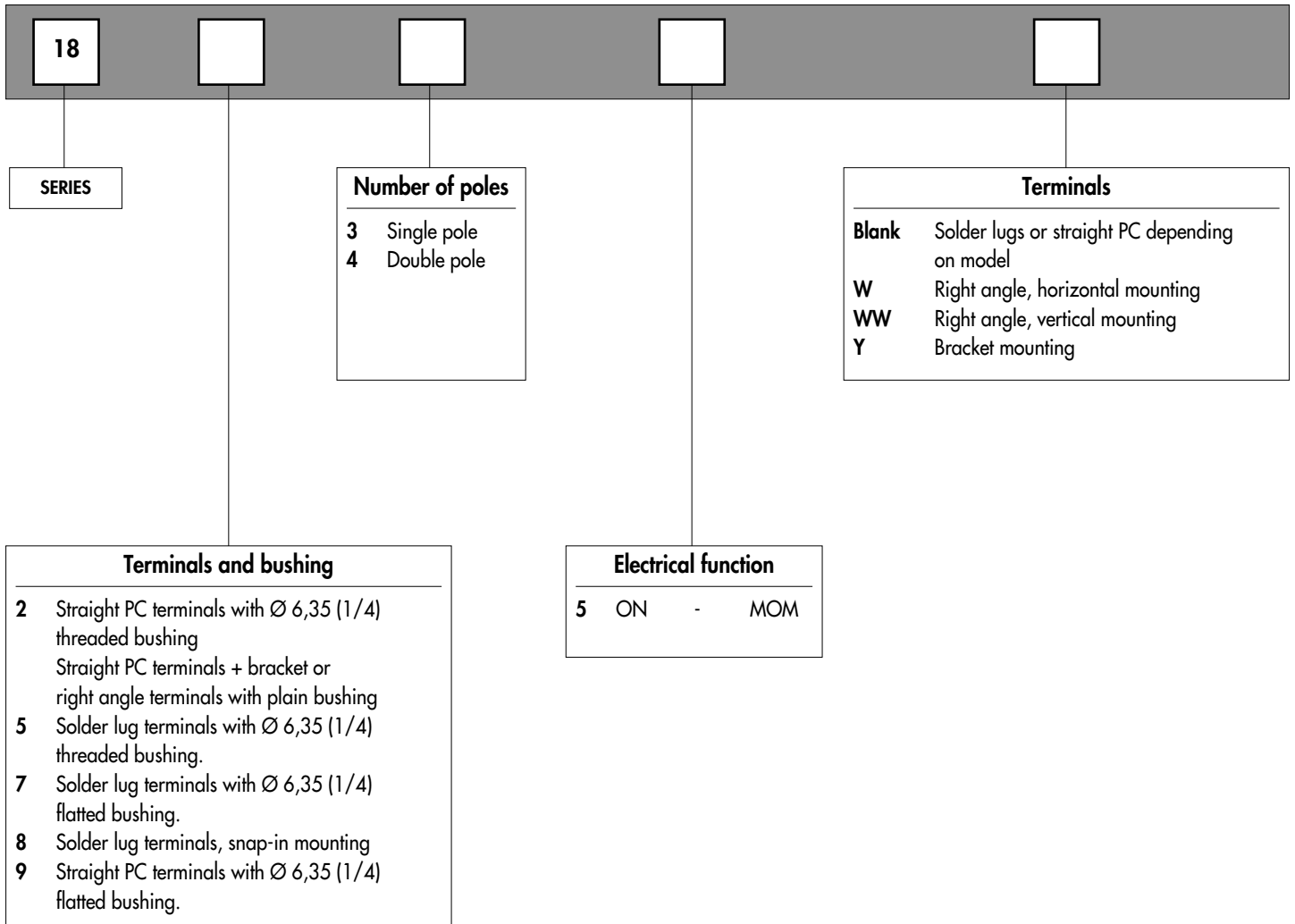


# 18000 SERIES

## SNAP-ACTION MOMENTARY PUSHBUTTON SWITCHES

### Overview



#### ABOUT THIS SERIES

On the following pages, you will find successively :

- specifications
- model structure of switches
- options in the same order as in above chart

**Dimensions** : first dimensions are in mm while inches are shown as bracketted numbers.



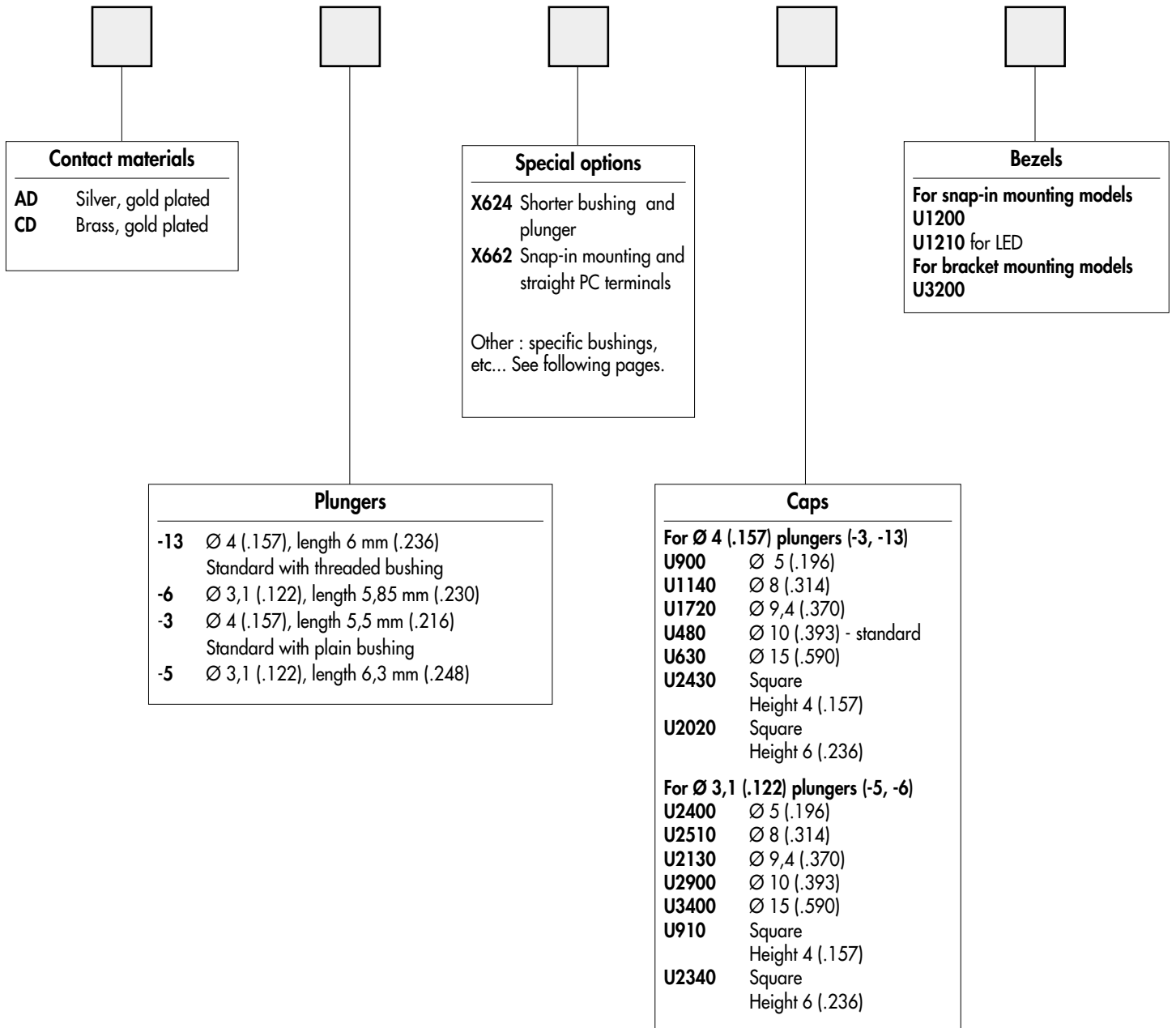
**NOTICE** : please note that not all combinations of above numbers are available. Refer to the following pages for further information.

# 18000 SERIES

## SNAP-ACTION MOMENTARY PUSHBUTTON SWITCHES

### Overview

OPTIONS



**Sealing boots** are available to protect the switches against dust and water. They are presented in section N.



**Mounting accessories** : standard hardware supplied with all models with Ø 6,35 (1/4) threaded bushing :  
2 hex nuts 8 mm (.314) across flats, 1 locking ring and 1 lockwasher.  
Standard and special hardware available are presented in section N.



**Packaging unit** : 25 pieces for W, WW double pole and 18800 models  
50 pieces for other models.

# 18000 SERIES

## SNAP-ACTION MOMENTARY PUSHBUTTON SWITCHES

### Specifications

#### ELECTRICAL SPECIFICATIONS

- Max. current/voltage rating with resistive load :
  - gold plated brass contacts : 100mA - 30VDC
  - gold plated silver contacts : 1A 120VAC, 1A 30VDC
- Initial contact resistance : 50 mΩ max.
- Insulation resistance : 1.000 MΩ min.
- Dielectric strength : 1.000 Vrms 50 Hz min.
- Electrical life : 60.000 cycles at full load

#### MATERIALS

- Case : PBT
- Actuator : polyamide, glass filled
- Bushing : brass, nickel plated
- Housing : stainless steel
- Bracket : tin plated steel
- Contacts
  - AD** : silver, gold plated
  - CD** : brass, gold plated
- Terminals seal : epoxy

#### GENERAL SPECIFICATIONS

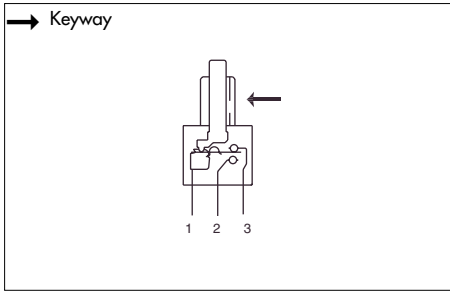
- Total travel : 0,5 mm (.019)
- Torque : 1,25 Nm (.922 Ft.lb) max. applied to nut
- Operating temperature : -30°C to +65°C

# 18000 SERIES

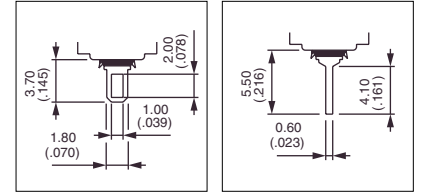
## SNAP-ACTION MOMENTARY PUSHBUTTON SWITCHES

### Threaded bushing $\text{\O} 6,35$ (1/4) : 18500 - 18700 - 18200

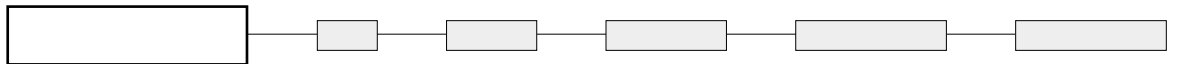
MODEL  
STRUCTURE



- Solder lug or straight PC terminals
- Epoxy sealed terminals standard



MODEL  
STRUCTURE



Shown with standard plunger (-13)

### Solder lug terminals : 18500



Single pole  
**18535**

Double pole  
**18545**



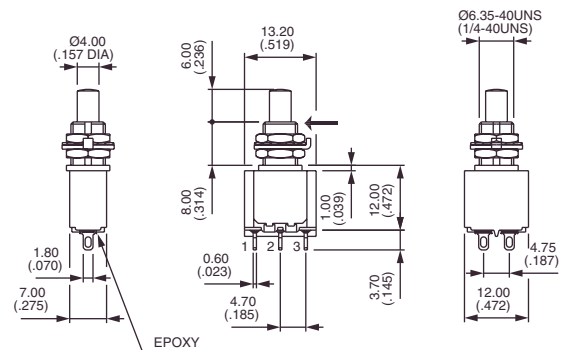
ON

MOM

ON

MOM

→ Keyway



### Flatted bushing - solder lug terminals : 18700



Single pole  
**18735**

Double pole  
**18745**



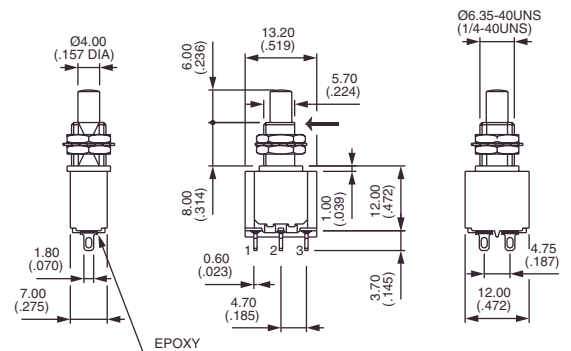
ON

MOM

ON

MOM

→ Flat



### Straight PC terminals : 18200



Single pole  
**18235**

Double pole  
**18245**



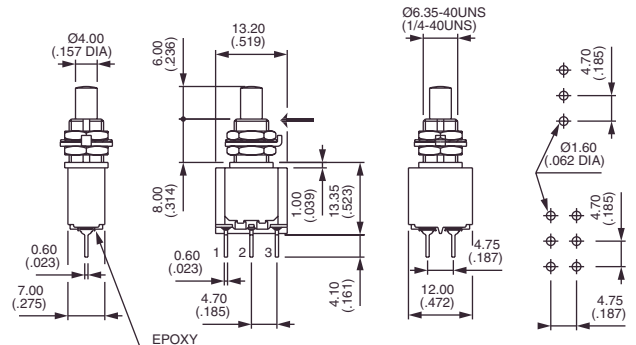
ON

MOM

ON

MOM

→ Keyway



# 18000 SERIES

## SNAP-ACTION MOMENTARY PUSHBUTTON SWITCHES

Threaded bushing  $\varnothing 6,35$  (1/4) : 18900 - Snap-in mounting : 18800

MODEL  
STRUCTURE

### Flatted bushing - straight PC terminals : 18900

→ Flat



Single pole  
**18935**

Double pole  
**18945**



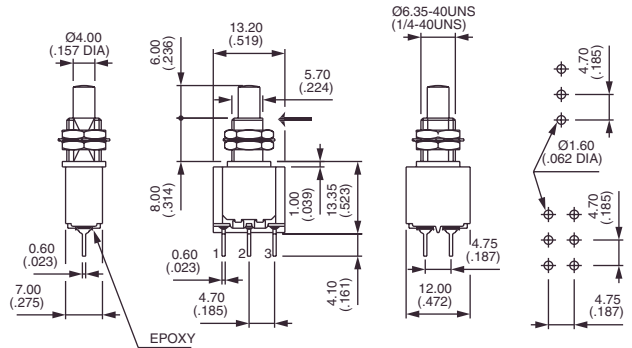
1-3

ON



1-2

MOM



### Snap-in mounting - solder lug terminals : 18800

Shown with cap U910 + U1200



Single pole  
**18835**

Double pole  
**18845**



1-3

ON

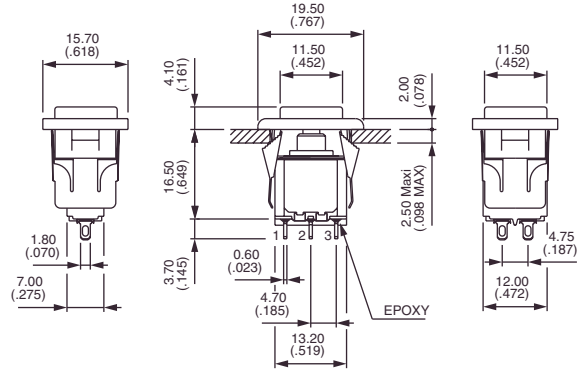


1-2

MOM

ON

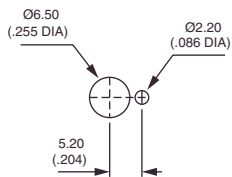
MOM



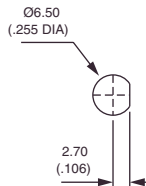
Available with straight PC terminals : see X662 under "Special options".

### PANEL CUT-OUT

18500 - 18200

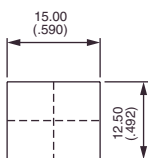


18700 - 18900

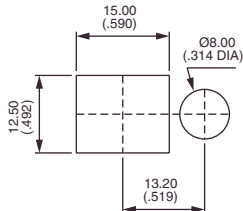


### PANEL CUT-OUT

18800



With bezel **U1200**



With bezel **U1210** for LED



# 18000 SERIES

## SNAP-ACTION MOMENTARY PUSHBUTTON SWITCHES



### Right angle terminals - vertical : 18200WW



Single pole  
**18235WW**

Double pole  
**18245WW**



1-3

ON

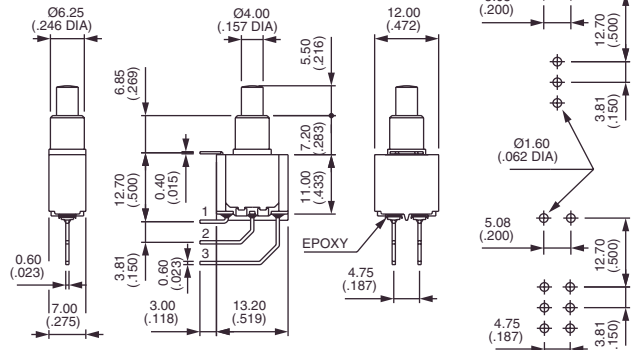


1-2

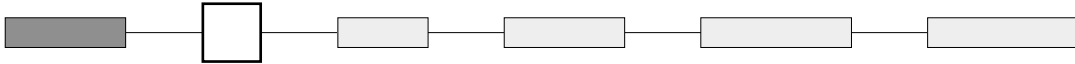
MOM

ON

MOM

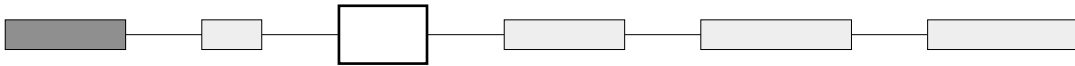


### CONTACT MATERIALS

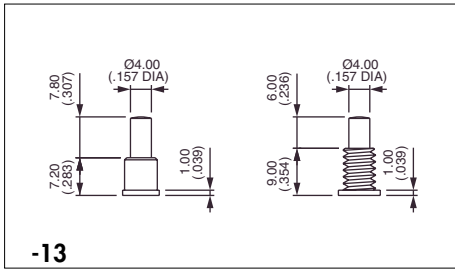


**AD** Silver, gold plated  
**CD** Brass, gold plated

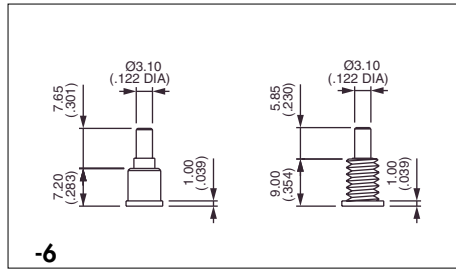
### PLUNGERS



Dash compulsory before plunger code.



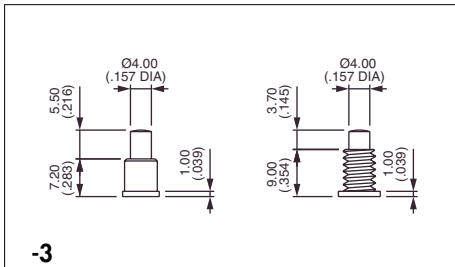
**-13**  
Ø 4 (.157) - standard with threaded bushing



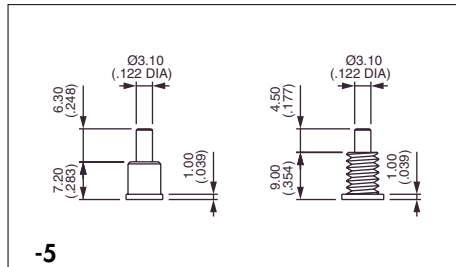
**-6**  
Ø 3,1 (.122)



If plunger not specified, we supply former default option -13.



**-3**  
Ø 4 (.157) - standard with plain bushing



**-5**  
Ø 3,1 (.122)

# 18000 SERIES


## SNAP-ACTION MOMENTARY PUSHBUTTON SWITCHES



### SPECIAL OPTIONS

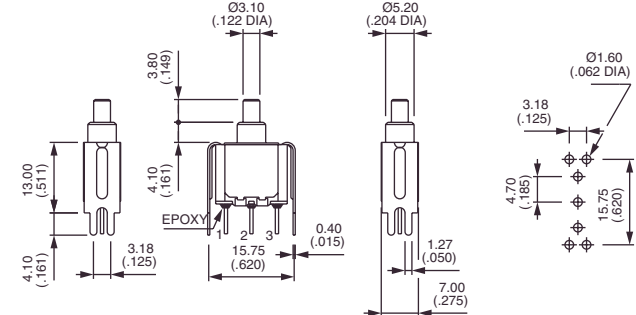



#### X624 Straight PC terminals - bracket mounting - with shorter bushing and plunger



Single pole  
**18235Y -2X624**

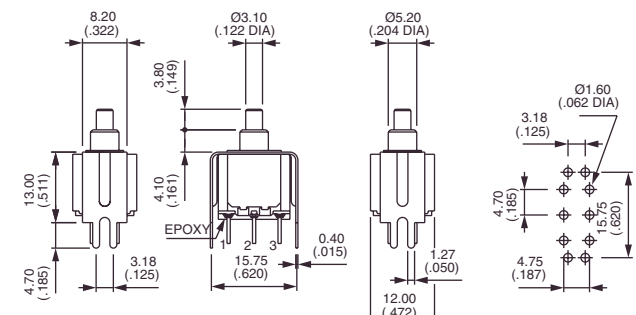
ON MOM






Double pole  
**18245Y -2X624**

ON MOM

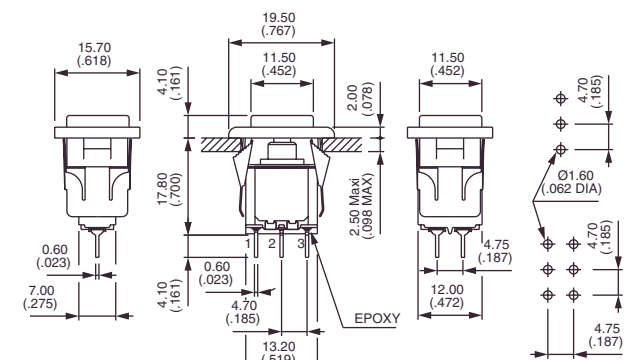



#### X662 Snap-in mounting - straight PC terminals



Single pole  
**18835 X662**

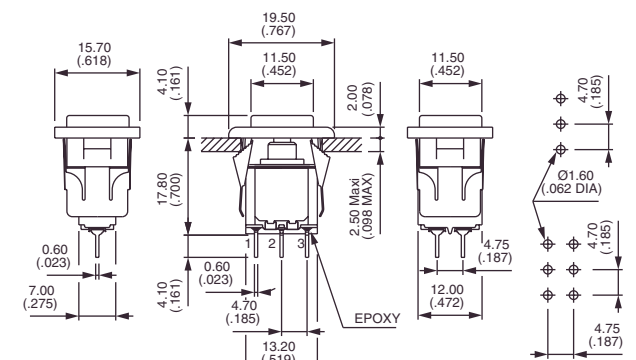
ON MOM





Double pole  
**18845 X662**

ON MOM





# 18000 SERIES

## SNAP-ACTION MOMENTARY PUSHBUTTON SWITCHES

OPTIONS



### SPECIAL OPTIONS (continued)



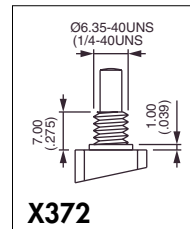
**X371** Plain bushing  $\varnothing$  6,25 mm (.246) (instead of standard threaded bushing).

**X372** Shorter threaded bushing  $\varnothing$  6,35 (1/4). Height 7 mm (.274).

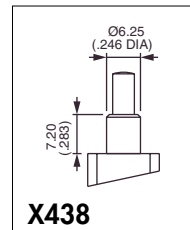
**X386** Threaded bushing  $\varnothing$  6,35 mm (1/4) to replace plain bushing on models W - WW and Y.

**X438** Plain bushing  $\varnothing$  6,25 mm (.246). Height 7,2 mm (.283) - without shoulder.

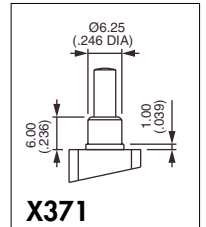
**F** Tin dipped terminals (for PC terminals only)



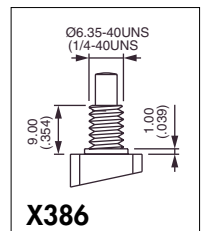
**X372**



**X438**



**X371**



**X386**

# 18000 SERIES

## SNAP-ACTION MOMENTARY PUSHBUTTON SWITCHES

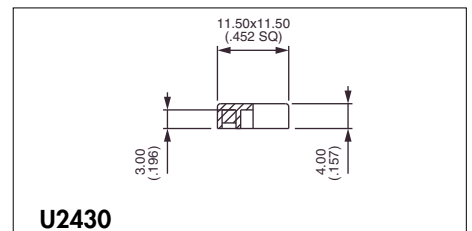
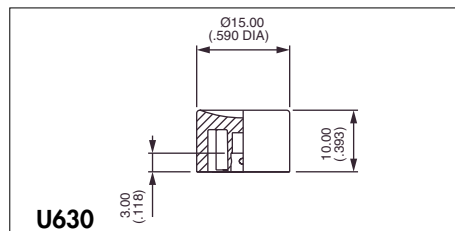
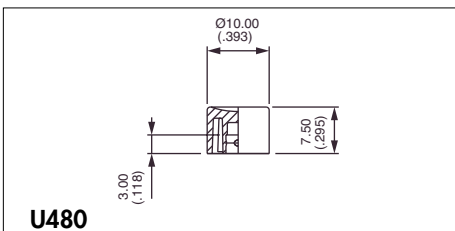
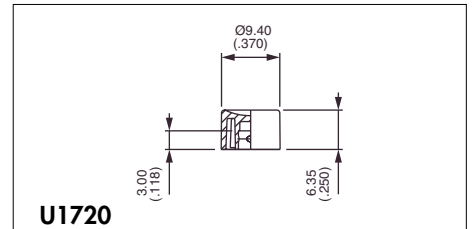
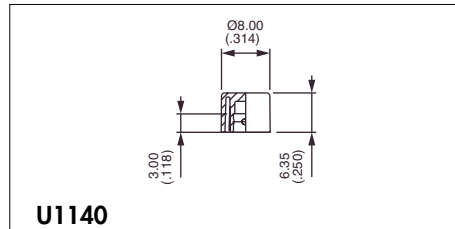
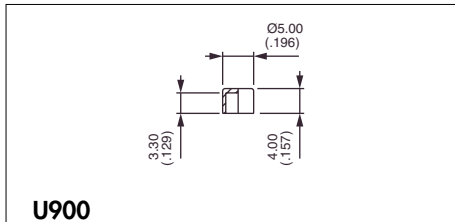
OPTIONS



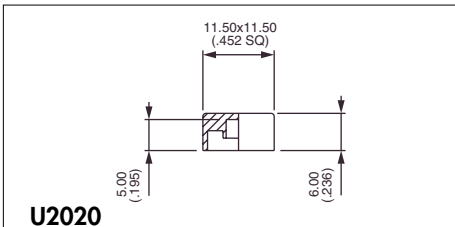
### CAPS



#### Caps for Ø 4 (.157) plungers (-13, -3)



Square

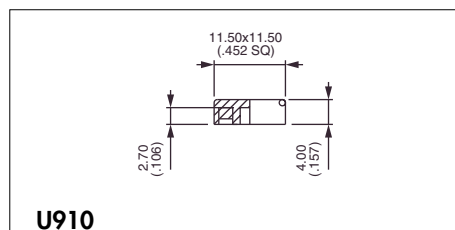
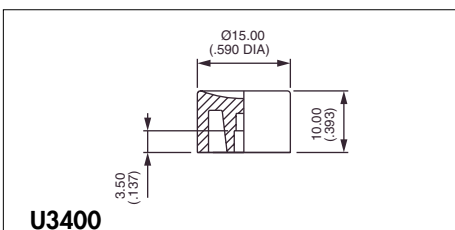
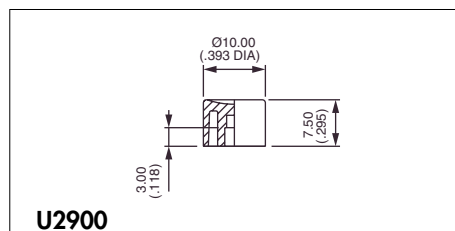
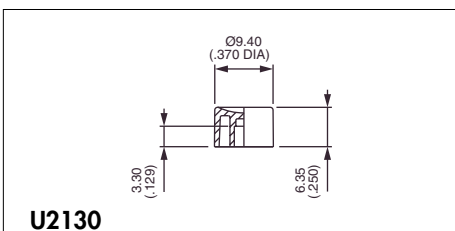
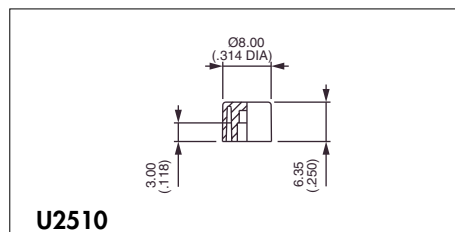
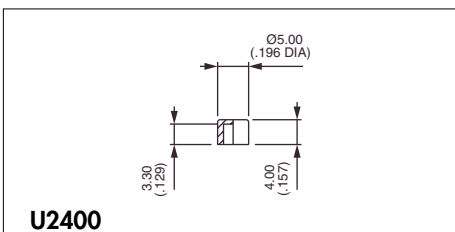


Square

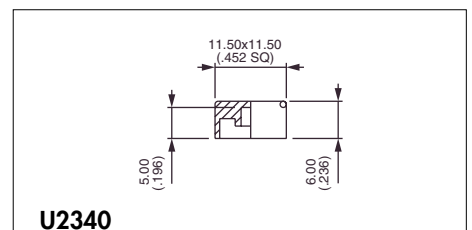
**Cap colours**  
Replace last "0" by number

- 1 blue
- 2 black
- 3 green
- 4 grey
- 5 yellow
- 6 red
- 7 ivory
- 7/1 white
- 9 orange

#### Caps for Ø 3,1 (.122) plungers (-5, -6)



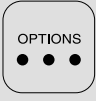
Square



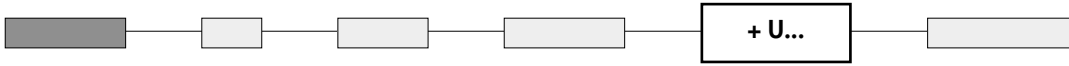
Square

# 18000 SERIES

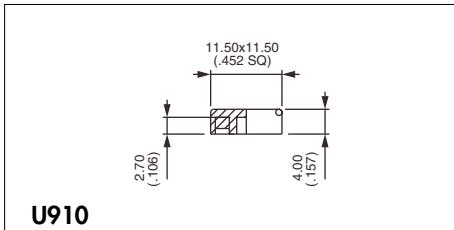
## SNAP-ACTION MOMENTARY PUSHBUTTON SWITCHES



### CAPS (continued)

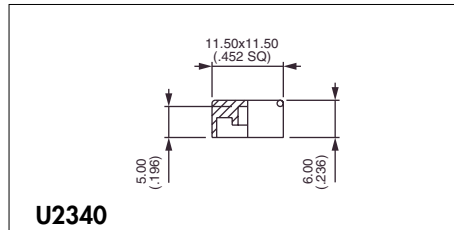


### Caps for 18800 and 18800X662 models



**U910**

Square



**U2340**

Square

### Cap colours

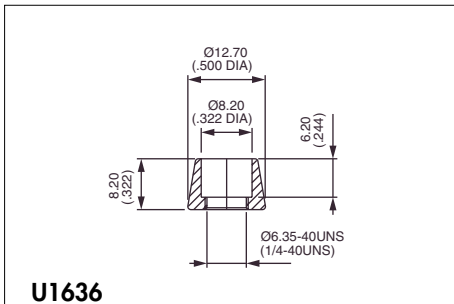
Replace "0" by number

- 1 blue
- 2 black
- 3 green
- 4 grey
- 5 yellow
- 6 red
- 7 ivory
- 7/1 white
- 9 orange

### DRESS NUTS

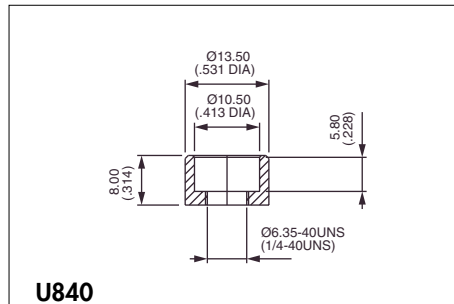
For models with threaded bushing (18500 - 18700 - 18200 - 18900)

Chrome plated



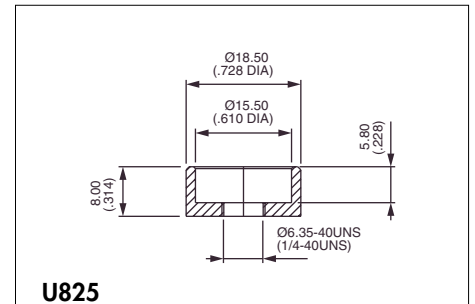
**U1636**

For caps U1140 and U2510



**U840**

For cap U480 and U2900



**U825**

For caps U630 and U3400

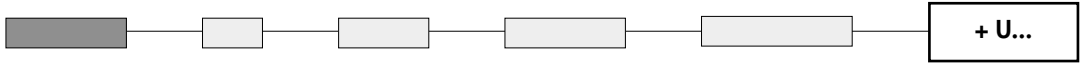
Dress nuts are to be ordered separately.

# 18000 SERIES

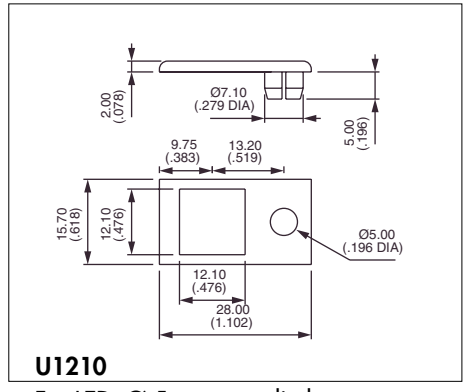
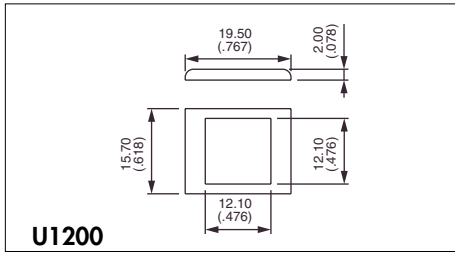
## SNAP-ACTION MOMENTARY PUSHBUTTON SWITCHES



### BEZELS



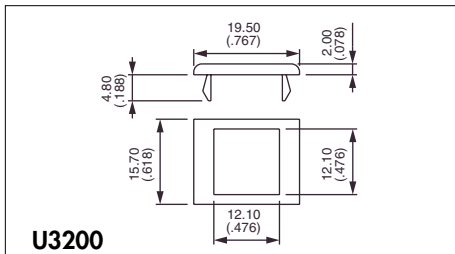
For snap-in models (18800 - 18800X662)



For LED Ø 5 - not supplied

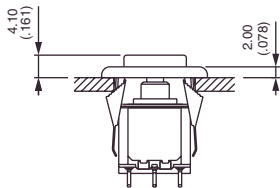
Bezel colours	
Replace last "0" by number	
1	blue
2	black
3	green
4	grey
5	yellow
6	red
7	ivory
7/1	white
9	orange

For bracket mounting models (18200Y and 18200YX624)

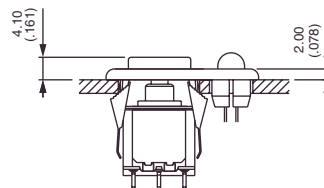


### STANDARD PANEL MOUNTING

Panel thickness with bezel : 1 mm (.039) to 2,5 mm (.098)



18800 + U910 + U1200



18800 + U910 + U1210

# 18000 SERIES

## SNAP-ACTION MOMENTARY PUSHBUTTON SWITCHES

For high currents

### ELECTRICAL SPECIFICATIONS

- Max. current/voltage rating with resistive load :  
3A 250VAC - 6A 125VAC - 7A 30VDC
- Initial contact resistance : 20 mΩ max. at 0,1A 3VDC
- Insulation resistance : 200.000 MΩ min. between terminals and frame
- Dielectric strength : 1.500 Vrms 50 Hz min.
- Electrical life : 60.000 cycles at full load

### GENERAL SPECIFICATIONS

- Travel : 0,90 mm (.035) approx.
- Operating temperature : -30°C to +85°C

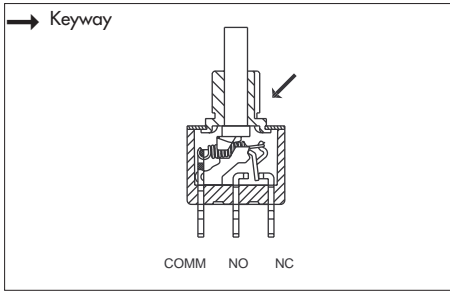
### MATERIALS

- Case : diallylphthalate (DAP)
- Actuator : glass filled polyester
- Bushing : brass, nickel plated
- Housing : stainless steel
- Contacts : silver
- Terminal seal : epoxy

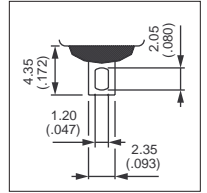
# 18000 SERIES

## SNAP-ACTION MOMENTARY PUSHBUTTON SWITCHES

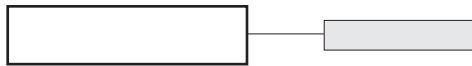
For high currents



- Threaded bushing  $\varnothing 6,35$  (1/4)
- Solder lug terminals
- Epoxy sealed terminals



**MODEL STRUCTURE**

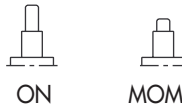


**D**

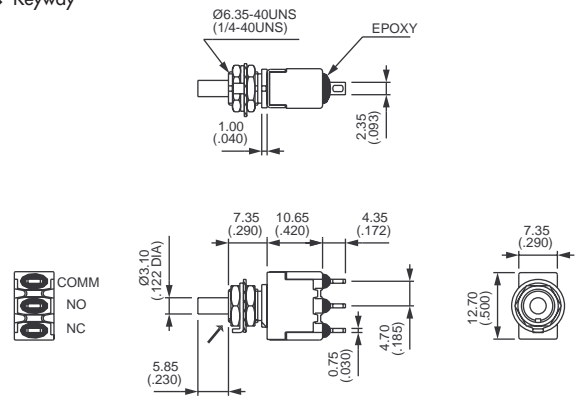
### Single pole



**18635A**



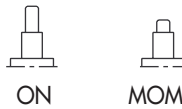
→ Keyway



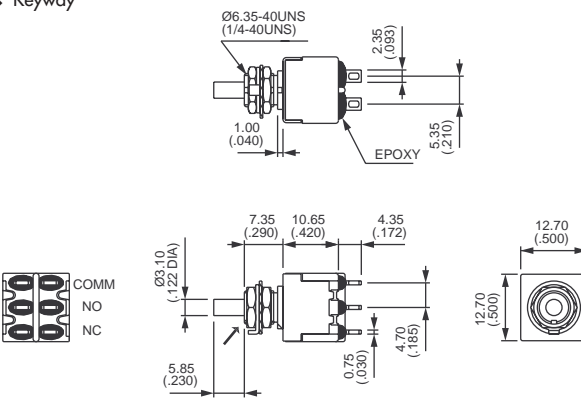
### Double pole



**18645A**



→ Keyway

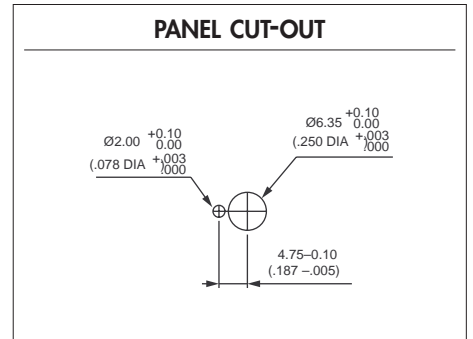


### CAPS



Round	
<b>U2400</b>	$\varnothing 5$ (.196)
<b>U2510</b>	$\varnothing 8$ (.314)
<b>U2130</b>	$\varnothing 9,4$ (.370)
<b>U2900</b>	$\varnothing 10$ (.393)
<b>U3400</b>	$\varnothing 15$ (.590)

Square	
<b>U910</b>	Height 4 (.157)
<b>U2340</b>	Height 6 (.236)



For cap dimensions, see "Caps for  $\varnothing 3,1$  (.122) plungers" on the preceding pages.