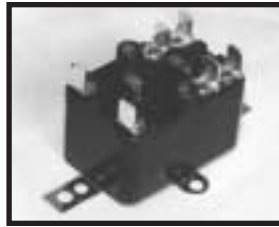


General Purpose Relay
Type 184



Sec.	STANCOR PART NUMBER	Pole Form	Coil Volt.	A.C. or D.C.	Contact Rating		DIMENSIONS-INCHES			Weight (oz.)	Agency* Certification
					Inductive	Resistive	L	Case W	H		
A	184-911	1PNO	6	A.C.	12 Amps. Continuous 60 Amps. Inrush @ 125 V.A.C.		1.84	1.27	1.56	3.0	UL/CSA
	184-912	1PNO	24	A.C.			1.84	1.27	1.56	3.0	UL/CSA
	184-913	1PNO	120	A.C.			1.84	1.27	1.56	3.0	UL/CSA
	184-914	1PNO	208/240	A.C.			1.84	1.27	1.56	3.0	UL/CSA
	184-929	1PNO	277	A.C.			1.84	1.27	1.56	3.0	UL/CSA
B	184-915	1PDT	6	A.C.	8 Amps. Continuous 48 Amps. Inrush @ 250 V.A.C.	18 Amps. Continuous @ 277 V.A.C.	1.84	1.27	1.56	3.0	UL/CSA
	184-916	1PDT	24	A.C.			1.84	1.27	1.56	3.0	UL/CSA
	184-917	1PDT	120	A.C.			1.84	1.27	1.56	3.0	UL/CSA
	184-918	1PDT	208/240	A.C.			1.84	1.27	1.56	3.0	UL/CSA
	184-930	1PDT	277	A.C.			1.84	1.27	1.56	3.0	UL/CSA
C	184-919	SPNO/SPNC	24	A.C.	7 Amps Continuous 42 Amps. Inrush @ 277 V.A.C.		1.84	1.27	1.56	3.0	UL/CSA
	184-920	SPNO/SPNC	120	A.C.			1.84	1.27	1.56	3.0	UL/CSA
	184-921	SPNO/SPNC	208/240	A.C.			1.84	1.27	1.56	3.0	UL/CSA
	184-931	SPNO/SPNC	277	A.C.			1.84	1.27	1.56	3.0	UL/CSA
D	184-922	1PNO	24	A.C.	3 Amps. @ 277 V.A.C.		1.84	1.27	1.56	3.0	UL/CSA
E	184-927	1PDT	120	A.C.	125 VA @ 125 V.A.C. Pilot Duty		1.84	1.27	1.56	3.0	UL/CSA
F	184D-901	1PDT	12	D.C.	4 Amps @ 12V		1.84	1.27	1.56	3.0	UL/CSA
QC to Screw Terminal Adapters Available											
G	184-900AD	QC to Screw Terminal Adapters		(Bulk Pack – 5 Sets)							

— Totally Enclosed

— A.C. Coils Rated 50/60Hz

* Agency Certification Note: UL Recognized (File E12139 or E22381)
CSA Certified (File LR 13360)

For schematic diagrams and outline drawings refer to page 76.

Engineering Design Data

Type	A.C. or D.C.	Magnet Coil Rating (Volt Amperes)			Operation in % of Nom. Coil Rating		Breakdown Voltages All Terminals - 60 Hz RMS			Contact Material		Electrical Life		Mechanical Life		Max. Oper. Amb. °F
		Inrush	Sealed Nom.	Max.	Pick-up	Max. Safe Operate	Opposite Polarity	Open Contacts Same Polarity	To Ground	Power	Pilot	Oper. At Rated Load	Oper. Per Min.	Oper. At No Load	Oper. Per Min.	
184	A.C.	4	2.8	3	85%	110%	1500	1000	1500	Silver Alloy	Fine Silver	100,000†	6	1,000,000	60	150
	D.C.	2	-	-	66%	110%	1500	1000	1500	Silver Alloy	-	100,000	6	1,000,000	60	150

† Load tests – making inrush ratings (0.4 to 0.5 P.F.) – breaking 125% continuous rating (0.65 to 0.8 P.F.)



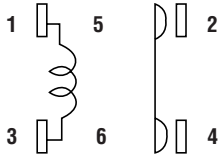
White-Rodgers • Emerson Electric Co.
9797 Reavis Road • St. Louis, MO 63123
(314) 865-8799 • Fax (314) 638-2400
www.stancor.com



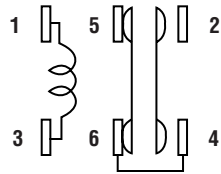
STANCOR 75

General Purpose Relays-Type 184

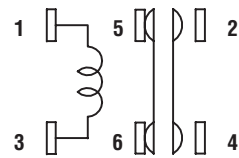
**Schematic
184 1PNO**



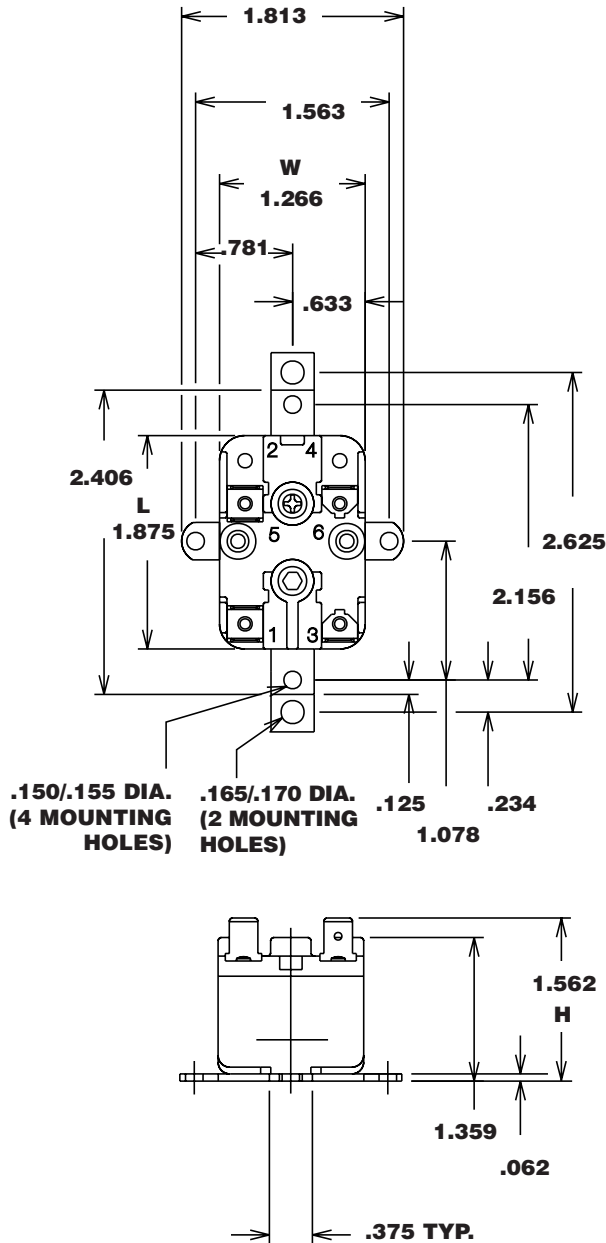
**Schematic
184 1PDT**



**Schematic
184 SPNO/SPNC**



Type 184-922, 184-927, 184D-901



Type 184

