

182919-1 ✓ ACTIVE

AMP | AMP CPC

TE Internal #: 182919-1

AMP CPC, Circular Power Connectors, Housing, Operating Voltage 600 VDC, Wire-to-Wire, 4 Position, Wire & Cable, Receptacle, Pin, Power & Signal, Black

[View on TE.com >](#)



Connectors > Power Connectors > Circular Power > Circular Power Connectors > CPC EMEA



Connector Product Type: **Housing**

Operating Voltage: **600 VDC**

Connector System: **Wire-to-Wire**

Number of Positions: **4**

Sealable: **No**

[All CPC EMEA \(22\)](#)

Features

Product Type Features

Connector Product Type	Housing
Connector System	Wire-to-Wire
Sealable	No
Connector & Contact Terminates To	Wire & Cable
Connector & Housing Type	Receptacle
Circular Connector Shell Type	All Plastic

Configuration Features

Reverse Numbering	With
Number of Positions	4
Number of Power Positions	0
Number of Signal Positions	4

Electrical Characteristics

Operating Voltage	600 VAC
-------------------	---------

Contact Features

Reverse Gender	No
Contact Type	Pin
Contact Protection	With



Mechanical Attachment

Screw & Hole Thread Size	5/8-24 UNEF-2A
Connector Mounting Type	Cable Mount (Free-Hanging)
Mating Alignment	With
Mating Retention	With
Panel Mount Feature	Without
Mating Alignment Type	Keyed
Mating Retention Type	Threaded Coupling

Housing Features

Body Orientation	Straight
Housing Color	Black
Housing Material	Thermoplastic
Circular Connector Shell Size	11

Usage Conditions

Operating Temperature Range	-55 – 105 °C[-67 – 221 °F]
Fluid Resistance	None

Operation/Application

Circuit Application	Power & Signal
Shielded	No

Industry Standards

UL Flammability Rating	UL 94V-0
UL Rating	Recognized
CSA Certified	Yes
VDE Tested	No

Packaging Features

Packaging Method	Bag
Packaging Quantity	50

Product Compliance

[For compliance documentation, visit the product page on TE.com>](#)

EU RoHS Directive 2011/65/EU	Compliant
EU ELV Directive 2000/53/EC	Compliant



China RoHS 2 Directive MIIT Order No 32, 2016	No Restricted Materials Above Threshold
EU REACH Regulation (EC) No. 1907/2006	Current ECHA Candidate List: JUL 2021 (219) Candidate List Declared Against: JUL 2021 (219) Does not contain REACH SVHC
Halogen Content	Low Halogen - Br, Cl, F, I < 900 ppm per homogenous material. Also BFR/CFR/PVC Free
Solder Process Capability	Not applicable for solder process capability

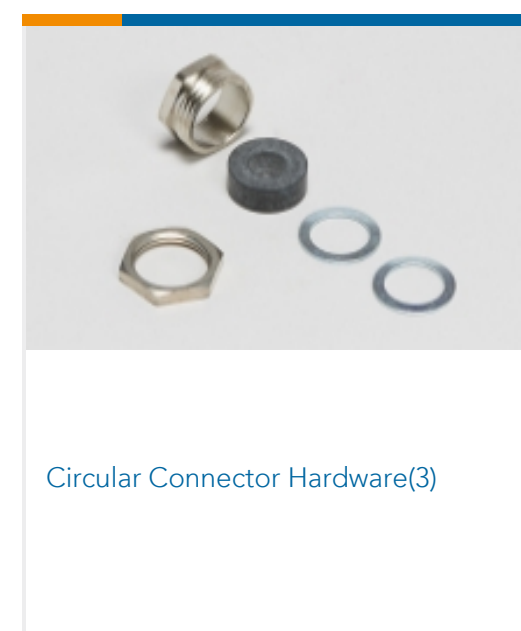
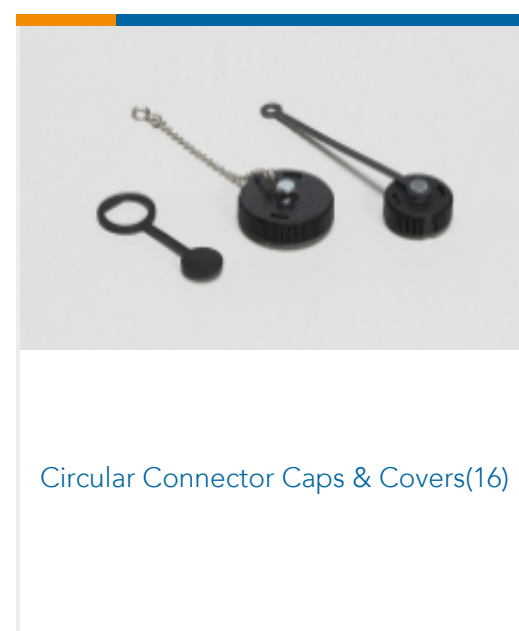
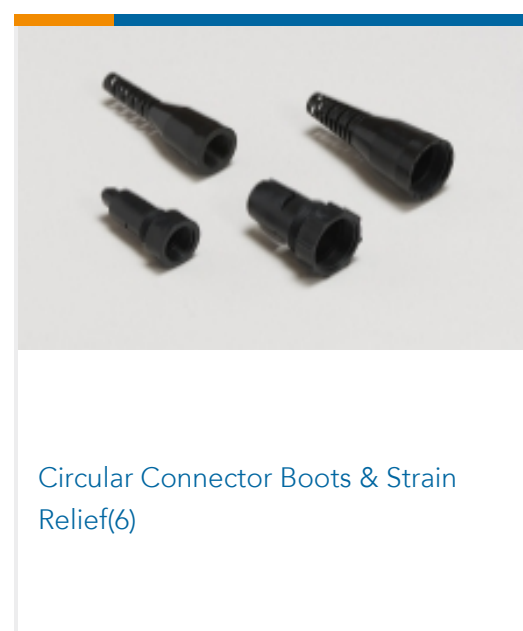
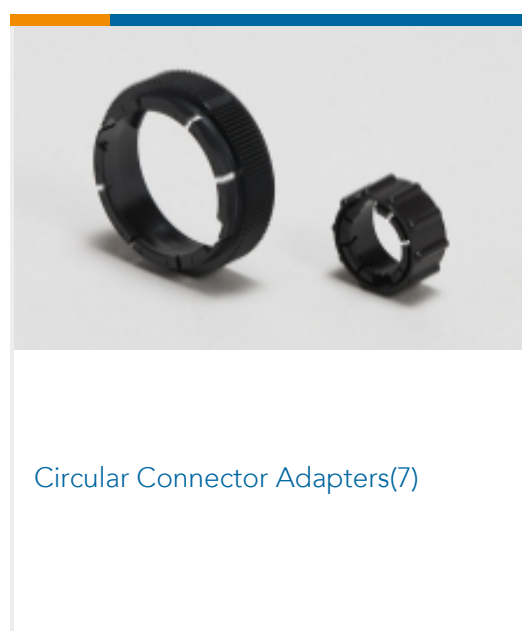
Product Compliance Disclaimer

This information is provided based on reasonable inquiry of our suppliers and represents our current actual knowledge based on the information they provided. This information is subject to change. The part numbers that TE has identified as EU RoHS compliant have a maximum concentration of 0.1% by weight in homogenous materials for lead, hexavalent chromium, mercury, PBB, PBDE, DBP, BBP, DEHP, DIBP, and 0.01% for cadmium, or qualify for an exemption to these limits as defined in the Annexes of Directive 2011/65/EU (RoHS2). Finished electrical and electronic equipment products will be CE marked as required by Directive 2011/65/EU. Components may not be CE marked. Additionally, the part numbers that TE has identified as EU ELV compliant have a maximum concentration of 0.1% by weight in homogenous materials for lead, hexavalent chromium, and mercury, and 0.01% for cadmium, or qualify for an exemption to these limits as defined in the Annexes of Directive 2000/53/EC (ELV). Regarding the REACH Regulation, the information TE provides on SVHC in articles for this part number is based on the latest European Chemicals Agency (ECHA) 'Guidance on requirements for substances in articles' posted at this URL: <https://echa.europa.eu/guidance-documents/guidance-on-reach>

Compatible Parts

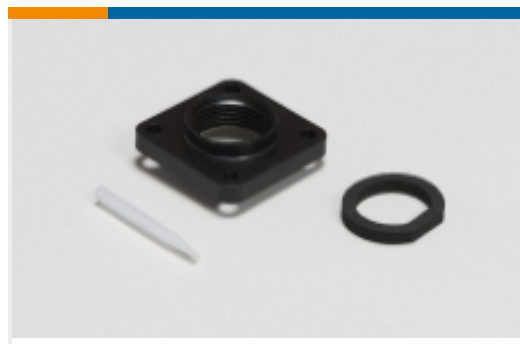


Also in the Series | AMP CPC





Circular Connector Keying Plugs(2)



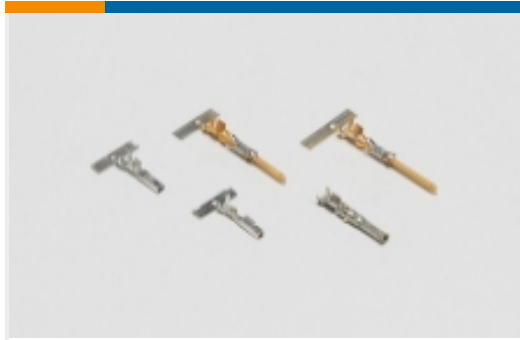
Circular Connector Seals(36)



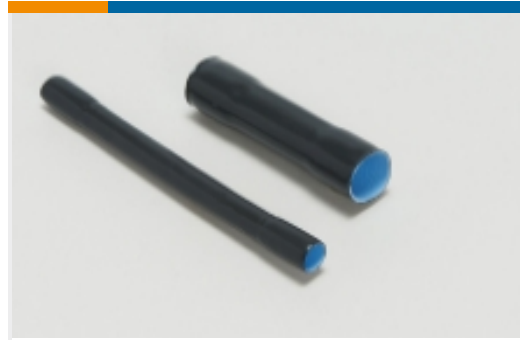
Circular Power Connectors(513)



Insertion & Extraction Tools(1)



Power Contacts(6)



Sealing Sleeves(2)



Unscreened Circular Connector Backshells & Clamps(56)

Customers Also Bought



TE Part #182917-1
CPC EMEA



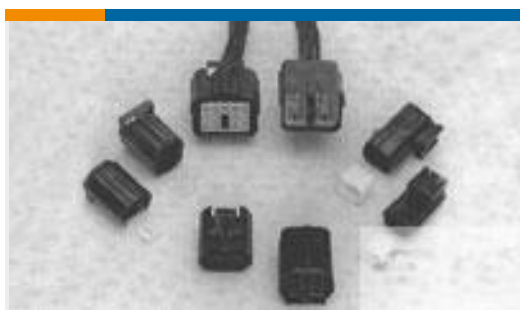
TE Part #5650951-5
ASSY,PIN,EUROCARD,TYPE C,LEAD-



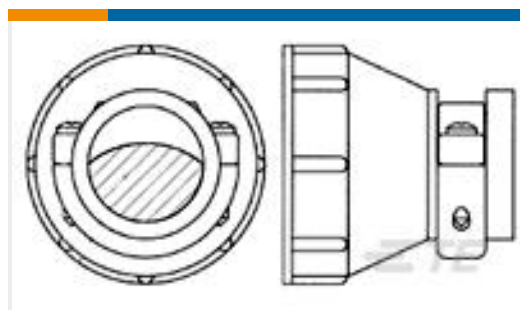
TE Part #1-1625890-4
2W SM M/OX 5% 15K



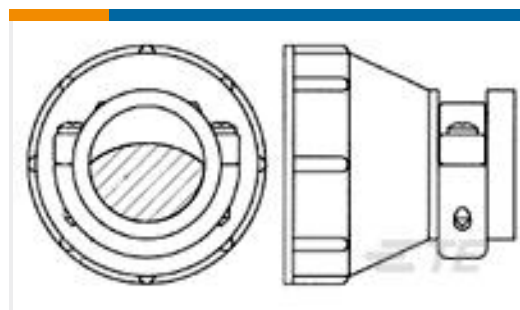
TE Part #4-1879352-1
RR02 5% 15R AMMO



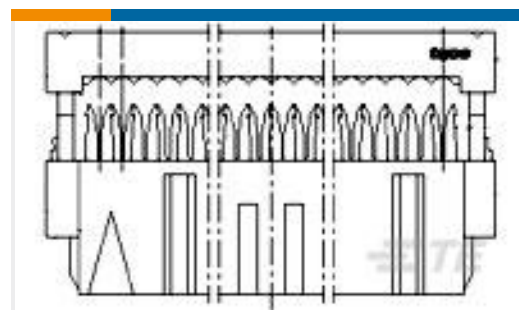
TE Part #344260-1
13 WAY TAB HOUSING ECONO



TE Part #182930-1
CPC CA CLP KIT SIZE 23



TE Part #182658-1
11 SIZE CPC STD CLAMP



TE Part #1-215919-4
AMP-LATCH 15.2 HIGH TAPE



TE Part #3-2106751-3
Connector, Thru Hole-IDC, 3 pos,
24AWG

Documents



Product Drawings

CPC FR-HANG RCP

English

CAD Files

3D PDF

English

Customer View Model

[ENG_CVM_182919-1_A3.2d_dxf.zip](#)

English

Customer View Model

[ENG_CVM_182919-1_A3.3d_igs.zip](#)

English

Customer View Model

[ENG_CVM_182919-1_A3.3d_stp.zip](#)

English

By downloading the CAD file I accept and agree to the [Terms and Conditions](#) of use.

Agency Approvals

UL Report

English