

## Panel feed-through terminal block - PLW 16-6/ 4-10 - 1821070

Please be informed that the data shown in this PDF Document is generated from our Online Catalog. Please find the complete data in the user's documentation. Our General Terms of Use for Downloads are valid (<http://phoenixcontact.com/download>)



Panel feed-through terminal block, connection method: Push-lock spring connection, Push-in connection, number of positions: 4, load current: 41 A, cross section: 2.5 mm<sup>2</sup> - 16 mm<sup>2</sup>, AWG 14 - 4, connection direction of the conductor to plug-in direction: 0 °, width: 64.4 mm, color: gray

### Your advantages

- ✓ Tool-free lever principle enables time-saving connection and release of conductors with/without ferrules
- ✓ Defined contact force ensures that contact remains stable over the long term
- ✓ Time-saving push-in connection when lever is closed
- ✓ Quick, tool-free mounting on the housing wall using a fixing wedge



### Key Commercial Data

Packing unit	1 pc
Minimum order quantity	15 pc
GTIN	 4 046356 788205
GTIN	4046356788205
Weight per Piece (excluding packing)	100.000 g
Custom tariff number	85369010
Country of origin	Slovakia

### Technical data

#### General

Number of levels	1
Number of connections	8
Nominal cross section	16 mm <sup>2</sup>
Color	gray
Insulating material	PA

## Panel feed-through terminal block - PLW 16-6/ 4-10 - 1821070

### Technical data

#### General

Flammability rating according to UL 94	V0
Maximum load current	41 A
Degree of pollution	3
Overvoltage category	III
Insulating material group	I
Connection in acc. with standard	IEC 60947-7-1
Nominal current I <sub>N</sub>	41 A
Maximum load current	41 A
Nominal voltage U <sub>N</sub>	1000 V
Open side panel	No
Number of positions	4

#### Dimensions

Width	64.4 mm
Plate thickness	19.26 mm

#### Connection data

Connection side	outside
Connection method	Push-lock spring connection
Conductor cross section solid min.	2.5 mm <sup>2</sup>
Conductor cross section solid max.	16 mm <sup>2</sup>
Conductor cross section flexible min.	2.5 mm <sup>2</sup>
Conductor cross section flexible max.	25 mm <sup>2</sup>
Conductor cross section AWG min.	14
Conductor cross section AWG max.	4
Conductor cross section flexible, with ferrule without plastic sleeve min.	2.5 mm <sup>2</sup>
Conductor cross section flexible, with ferrule without plastic sleeve max.	16 mm <sup>2</sup>
Conductor cross section flexible, with ferrule with plastic sleeve min.	2.5 mm <sup>2</sup>
Conductor cross section flexible, with ferrule with plastic sleeve max.	16 mm <sup>2</sup>
Stripping length	18 mm
Connection side	inside
Connection method	Push-in connection
Conductor cross section flexible min.	1.5 mm <sup>2</sup>
Conductor cross section flexible max.	6 mm <sup>2</sup>
Conductor cross section flexible, with ferrule without plastic sleeve min.	1.5 mm <sup>2</sup>
Conductor cross section flexible, with ferrule without plastic sleeve max.	6 mm <sup>2</sup>
Conductor cross section flexible, with ferrule with plastic sleeve min.	1.5 mm <sup>2</sup>
Conductor cross section flexible, with ferrule with plastic sleeve max.	6 mm <sup>2</sup>

## Panel feed-through terminal block - PLW 16-6/ 4-10 - 1821070

### Technical data

#### Connection data

Stripping length	15 mm
------------------	-------

#### Standards and Regulations

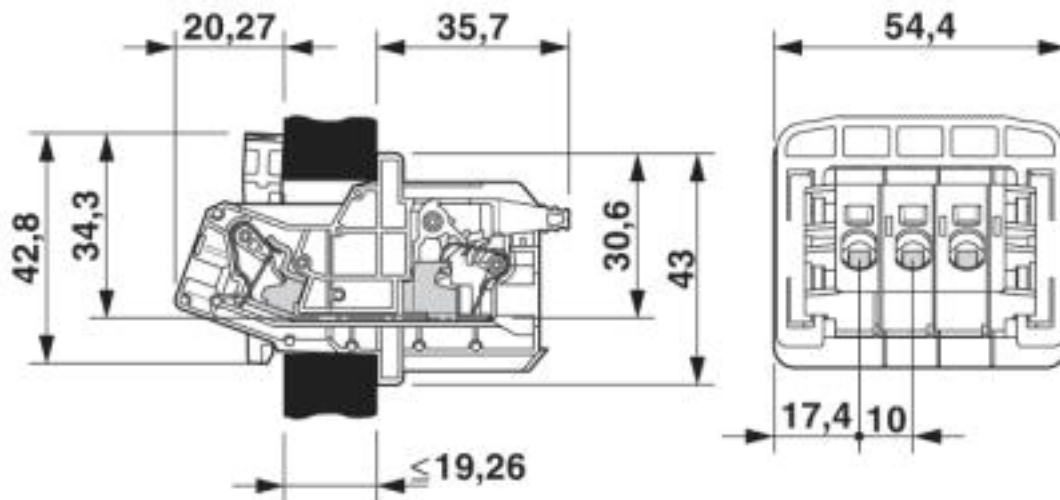
Connection in acc. with standard	IEC 60947-7-1
Flammability rating according to UL 94	V0

#### Environmental Product Compliance

China RoHS	Environmentally friendly use period: unlimited = EFUP-e
	No hazardous substances above threshold values

### Drawings

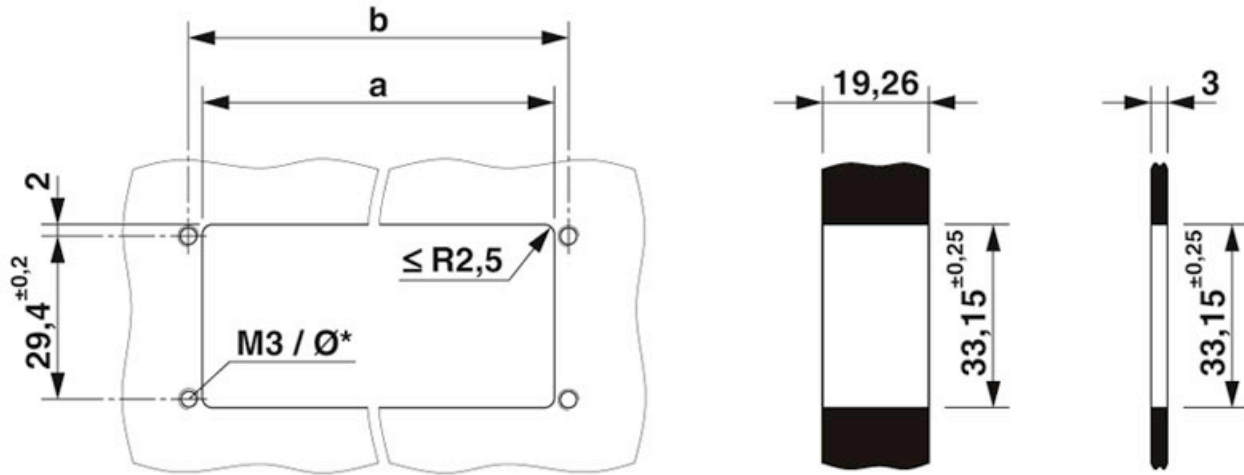
Dimensional drawing



Dimension 54.4 mm for 3-pos. version;  
4-pos.: 64.4 mm  
5-pos.: 74.4 mm

# Panel feed-through terminal block - PLW 16-6/ 4-10 - 1821070

Dimensional drawing



Dimension a = 53.9 mm ± 0.25  
 Dimension b = 59 mm ± 0.2

## Classifications

eCl@ss

eCl@ss 4.0	27141100
eCl@ss 4.1	27141100
eCl@ss 5.0	27141100
eCl@ss 5.1	27141100
eCl@ss 6.0	27141100
eCl@ss 7.0	27141134
eCl@ss 8.0	27141134
eCl@ss 9.0	27141134

# Panel feed-through terminal block - PLW 16-6/ 4-10 - 1821070

## Classifications

### ETIM

ETIM 3.0	EC001283
ETIM 4.0	EC001283
ETIM 5.0	EC001283
ETIM 6.0	EC001283
ETIM 7.0	EC001283

### UNSPSC

UNSPSC 6.01	30211811
UNSPSC 7.0901	39121410
UNSPSC 11	39121410
UNSPSC 12.01	39121410
UNSPSC 13.2	39121410

## Approvals

### Approvals


Approvals

EAC / cULus Recognized

Ex Approvals

### Approval details

EAC		B.01742
-----	---	---------

cULus Recognized		<a href="http://database.ul.com/cgi-bin/XYV/template/LISEXT/1FRAME/index.htm">http://database.ul.com/cgi-bin/XYV/template/LISEXT/1FRAME/index.htm</a>	E60425-20150120
Nominal voltage UN	600 V		
Nominal current IN	40 A		
mm <sup>2</sup> /AWG/kcmil	16-6		

## Panel feed-through terminal block - PLW 16-6/ 4-10 - 1821070

### Accessories

#### Accessories

#### Crimping tool

##### Crimping pliers - CRIMPFOX 6 - 1212034



Crimping pliers, for ferrules without insulating collar according to DIN 46228 Part 1 and ferrules with insulating collar according to DIN 46228 Part 4, 0.25 mm<sup>2</sup> ... 6.0 mm<sup>2</sup>, lateral entry, trapezoidal crimp

---

##### Crimping pliers - CRIMPFOX 25R - 1212039



Crimping pliers, for ferrules without insulating collar according to DIN 46228 Part 1 and ferrules with insulating collar according to DIN 46228 Part 4, 10 mm<sup>2</sup> ... 25 mm<sup>2</sup>, lateral entry, WM crimp

---

#### Partition plate

##### Spacer plate - DP-PLW 16-6/4 3MM - 1705938



Spacer plate for PLW 16-6/4 feed-through terminal block