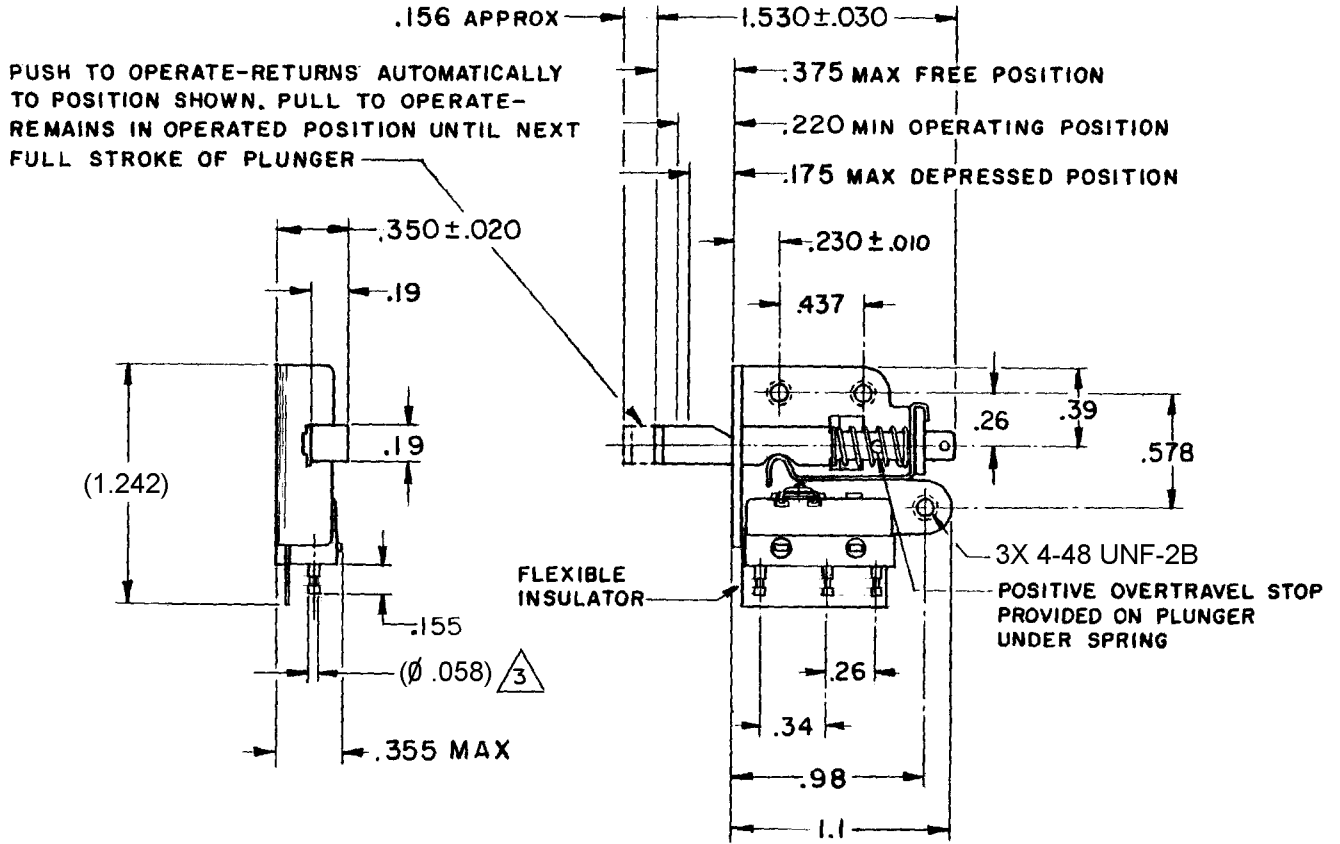


CATALOG LISTING
17AC28-H58
PAGE 1 OF 1
ISSUE **M**
3
RELEASE NO. PR-2681
CHECK
REVISIONS
A 202537
CSL
9 MAR 01
CHECK
9 MAR 01
SAV
9 MAR 01
CHECK
9 MAR 01
DRAWN
CSL
9 MAR 01
RASTER



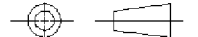
NOTES

- 1 - UNIT INCLUDES CATA LOG LISTING 411SM1-H58
- 2 - NOTCH IN ACTUATOR PLUNGER WILL PERMIT .045 MAX DISPLACEMENT BETWEEN END OF PLUNGER AND HOLE IN BRACKET
- ³ PLATED TERMINALS WILL ACCEPT "AMP INC" ∅ .058 PIN RECEPTACLES

ANSI Y14.5M-1982 APPLIES

THIS DRAWING COVERS A PROPRIETARY ITEM AND IS THE PROPERTY OF MICRO SWITCH, A DIVISION OF HONEYWELL. THIS DRAWING IS NOT TO BE COPIED OR USED WITHOUT THE APPROVAL OF MICRO SWITCH.

THIRD ANGLE PROJECTION



CHARACTERISTICS	ELECTRICAL DATA		SCALE FULL	DO NOT SCALE PRINT
	TOTAL TRAVEL .156 APPROX PUSH DIRECTION .156 APPROX PULL DIRECTION	CONTACT ARRANGEMENT S P D T		UNLESS OTHERWISE SPECIFIED TOLERANCES ARE
FULL OVERTRAVEL FORCE - 2 LB APPROX	30 VOLTS DC RATING		ONE PLACE (.0)	±.030
	SEA LEVEL		TWO PLACE (.00)	±.015
	INDUCTIVE	3 AMP	THREE PLACE (.000)	±.005
	RESISTIVE	5 AMP	ANGLES	±
			WEIGHT .02 LB APPROX	